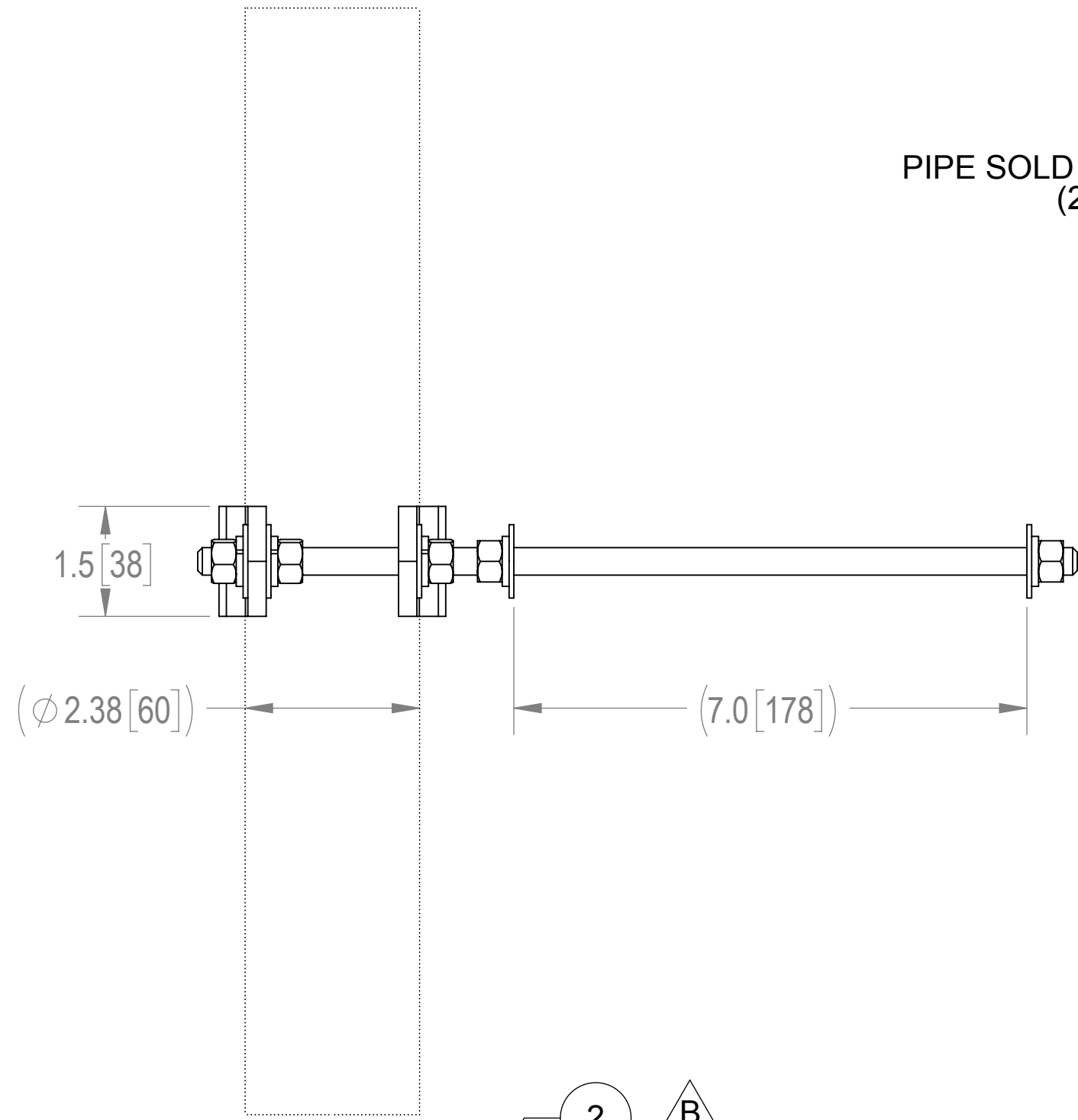


NOTES:

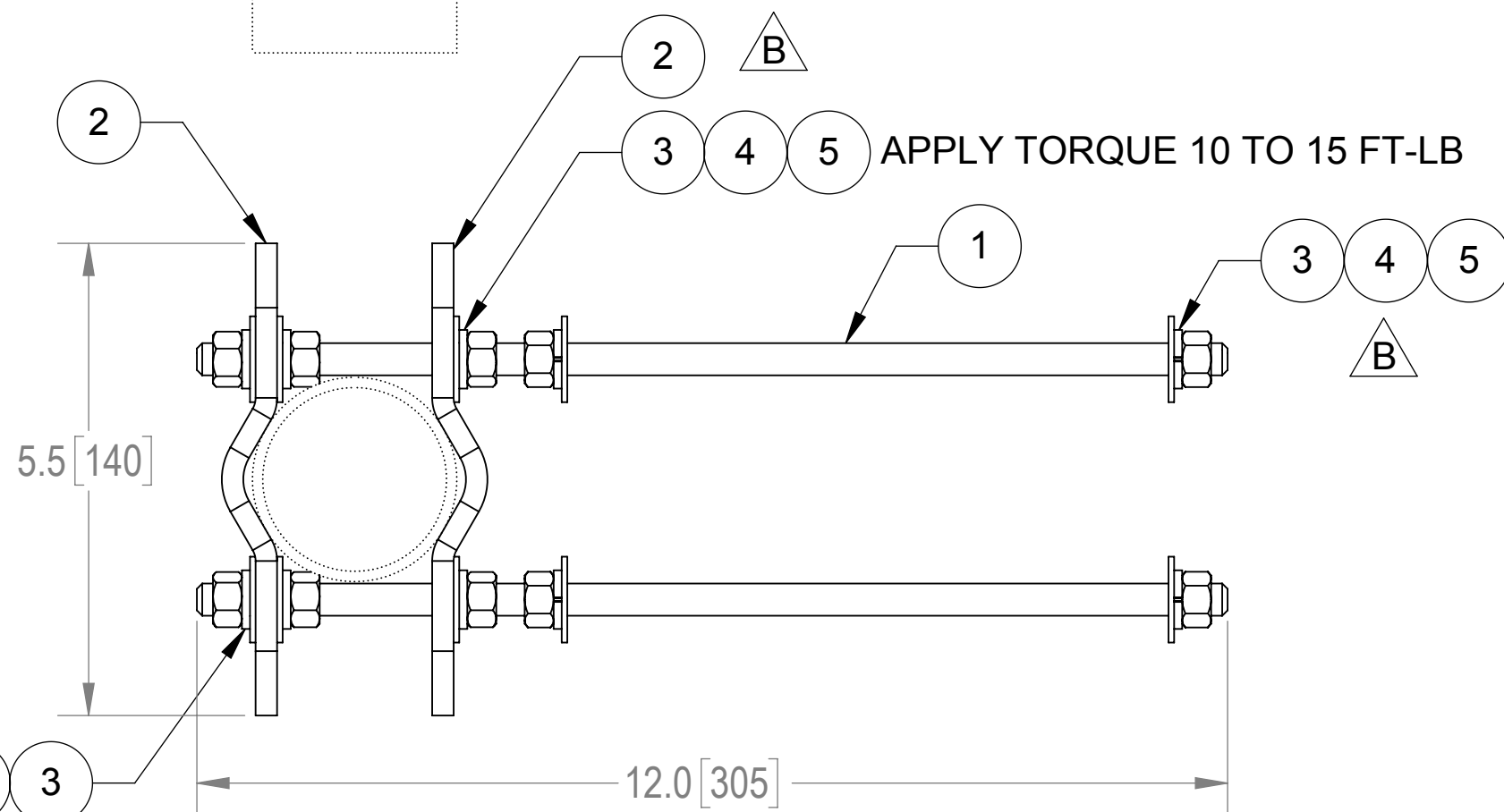
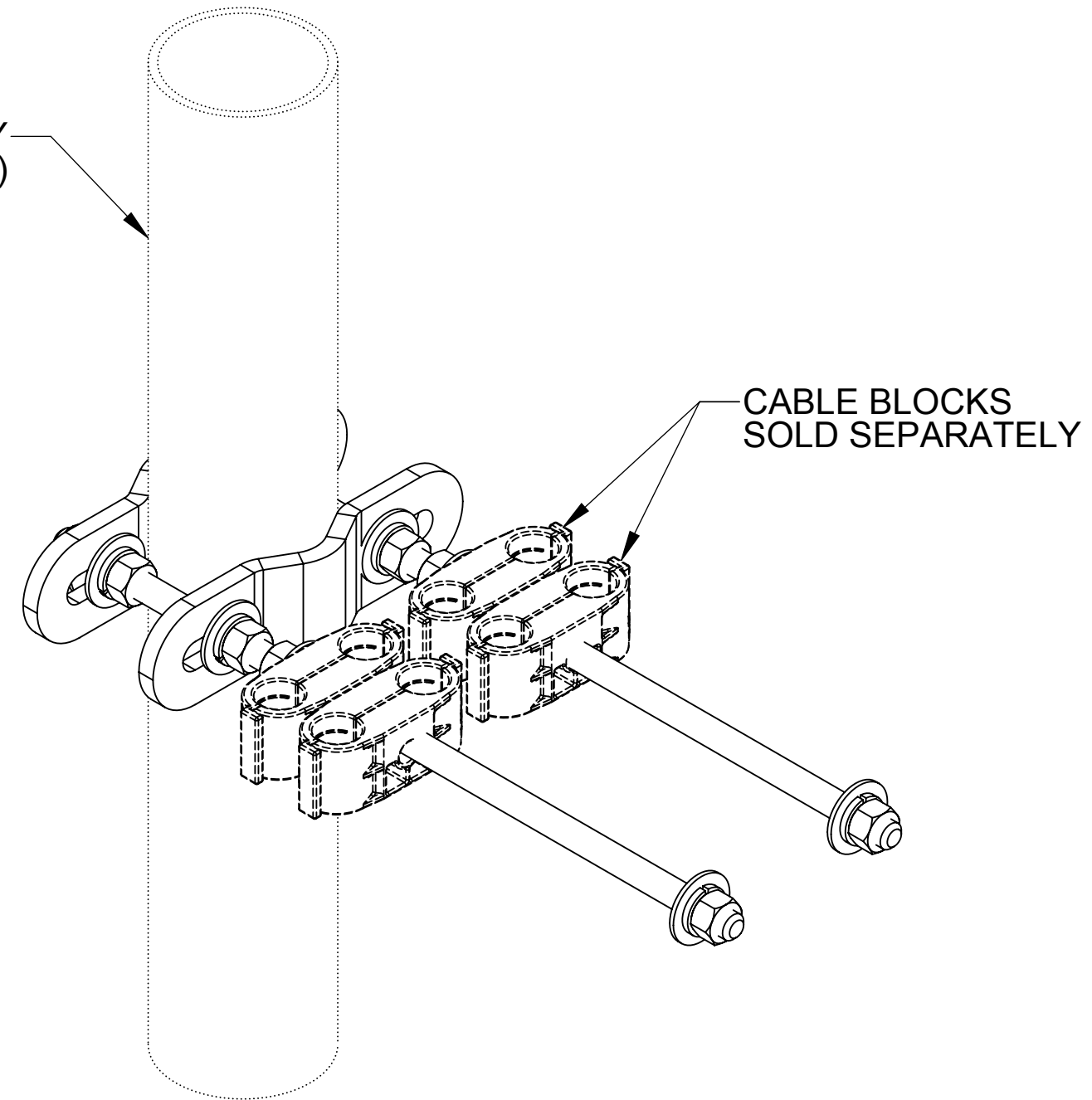
- 1.0 GENERAL
  - 1.1 ALL METRIC DIMENSIONS ARE IN BRACKETS
  - 1.2 FOR PATENT INFO: <https://www.commscope.com/ProductPatent/ProductPatent.aspx>
- 2.0 DESIGN NOTES
- 3.0 MANUFACTURING/SPECIAL REQUIRMENTS
  - 3.1 INSTALL WITH TORQUE WRENCH SET AT 10 TO 15 FT-LB TO MEET CARRIER PIM REQUIREMENTS.
- 4.0 TEST
- 5.0 PACKAGING

**B** INSTALL WITH TORQUE WRENCH SET AT 10 TO 15 FT-LB TO MEET CARRIER PIM REQUIREMENTS

REVISIONS				
REV.	ECN	DESCRIPTION	BY	DATE
A	8000032489	INITIAL RELEASE	RD1048	11/08/18
B	8000032906	ADDED TORQUE SPEC NOTE & BALLOONS	RJC	12/05/18



PIPE SOLD SEPARATELY  
(2.38" - 3.5" OD)



APPLY TORQUE 10 TO 15 FT-LB

APPLY TORQUE 10 TO 15 FT-LB

ITEM	PART NO.	DESCRIPTION	QTY.	WEIGHT	NOTE NO.
1	MT-373	3/8" X 12" SS THREADED ROD	2	0.37 LBS	
2	ACP1038	1.5" - 3.5" O.D. HALF CLAMP	2	0.51 LBS	
3	SWL-03	3/8" SS LOCK WASHER	10	0.01 LBS	
4	SWF-03	3/8" SS FLAT WASHER	10	0.01 LBS	
5	SN-03	3/8" SS HEX NUT	10	0.02 LBS	

DENSITY	5.90	lbs/in <sup>3</sup>
MASS		lbs
VOLUME		in <sup>3</sup>
SURFACE AREA		in <sup>2</sup>
HEIGHT	2.5	
LENGTH	13.5	
WIDTH	6.5	

**COMMSCOPE, INC. OF NORTH CAROLINA**

TOLERANCES		SAP MATERIAL MASTER		
0 PLACE X ± .25	2 PLACE .XX ± .06	<b>PG-RMBH12</b>		
1 PLACE X ± .12	ANGLES ± 2°			
FINISH GALV A123		MATERIAL A1011/A1018		
UNLESS OTHERWISE SPECIFIED DIMENSIONS ARE IN INCHES INTERPRET PER ANSI Y 14.5M-1994	CE	RD1048	11/08/18	<b>PIM GUARD RND MMBR BLOCK HANGER 12 CABLE</b>
	RW	BCAMPBELLCON	12/11/2018	
	RV	MC1107	12/11/2018	
	AD	RD1048	12/11/2018	
	RE	RD1048	12/11/2018	
ECN 008000032906		SCALE <b>1:2</b>	DOCUMENT NO. <b>PG-RMBH12</b>	
SIZE <b>C</b>	WORK AREA 24	MODEL		DRAWING
		VERSION 01	STATUS RE	REVISION B
		VERSION 01	STATUS RE	REVISION B

SHEET 1 OF 1