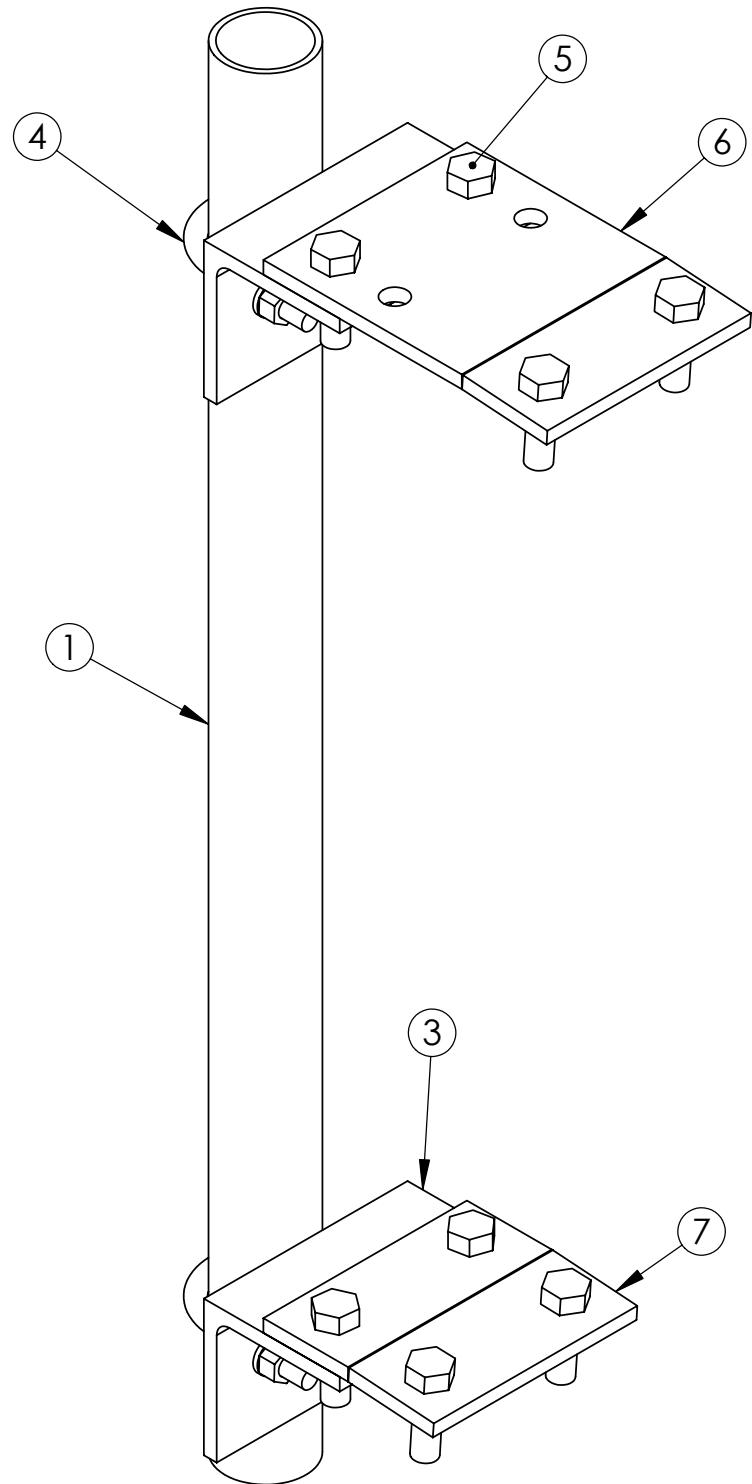



ITEM NO.	PART NO.	DESCRIPTION	QTY.	WEIGHT
1	MT-XXX	PLAIN END PIPE (SEE TABLE)	1	
2	PM-238T-B	BASE KIT ITEM# 3 - 7	1	
3	PM238.01	2-3/8" PIPE MOUNT	2	4.14 LBS
4	GUB-4240	1/2" X 2-1/2" X 4" GALV U-BOLT	2	0.56 LBS
5	GB-0520A	5/8" X 2" GALV BOLT (A325)	8	0.27 LBS
6	SFU.02	UPPER ADAPTER PLATE	1	5.09 LBS
7	SFU.03	LOWER ADAPTER PLATE	1	3.03 LBS

REVISIONS				
REV.	ZONE	DESCRIPTION	BY	DATE
A		INITIAL RELEASE	AW	01/27/05



CATALOG NO.	PART NO.	DESCRIPTION	WEIGHT
PM-238T-48	MT-650	PLAIN END PIPE 2-3/8" OD x 48"	34 LBS
PM-238T-72	MT-651	PLAIN END PIPE 2-3/8" OD x 72"	41 LBS
PM-238T-84	MT-651-84	PLAIN END PIPE 2-3/8" OD x 84"	46 LBS
PM-238T-96	MT-651-96	PLAIN END PIPE 2-3/8" OD x 96"	62 LBS

These drawings and specifications are the proprietary property of ANDREW CORPORATION and may be used only for the specific purpose authorized in writing by Andrew Corporation.  ALL DIMENSIONS ARE IN INCHES U.O.S. TOLERANCES UNLESS OTHERWISE SPECIFIED: .X = .06      ANGLES 2° .XX = .03      FRACTIONS 1/32 .XXX = .010  REMOVE BURRS AND BREAK EDGES .005  DO NOT SCALE THIS PRINT	DRAWN BY: AW	SHEET: 1 of 1	PART NUMBER: PM-238T SERIES
	CHECKED BY: TP	SCALE: NTS	DESCRIPTION: 2- 3/8" TAPERED PIPE MOUNT
	DATE: 01/27/05	MATERIAL: A36	DRAWING TYPE: ASSEMBLY DRAWING
	REVISION: A	FINISH: GALV A123	
	WEIGHT: SEE TABLE	 ORLAND PARK, IL. 60462 U.S.A.	