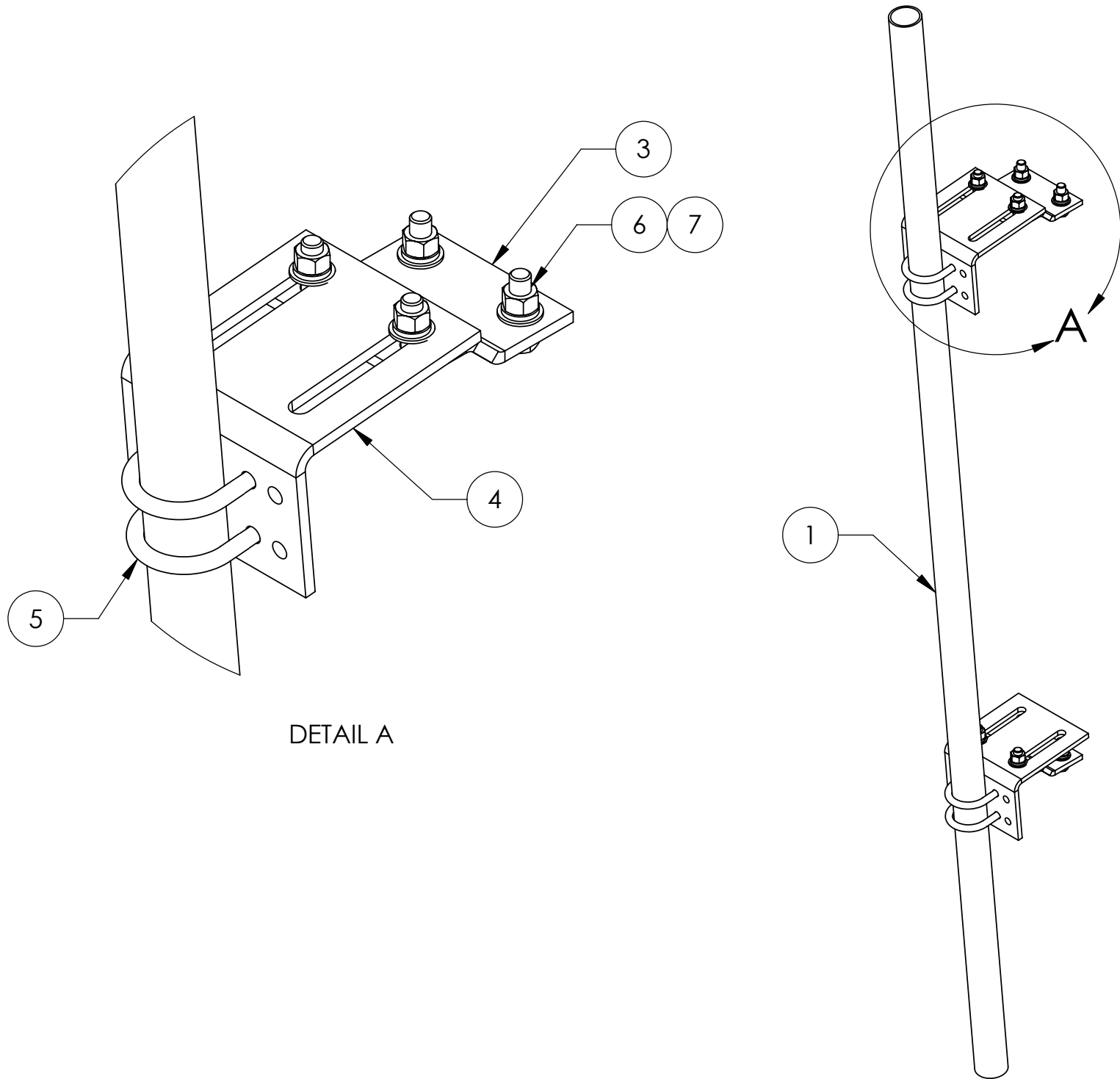



ITEM	PART NO.	DESCRIPTION	QTY.	WEIGHT
1	MT-XXX	PLAIN END PIPE 2-3/8" OD (SEE TABLE)	1	-
2	PM-SL2	BASE KIT (ITEMS 3-7)	1	-
3	PMSL.01	S-BRACKET	2	4.28 LBS
4	PMSL.02	L-BRACKET	2	7.94 LBS
5	GUB-4240	1/2" X 2-1/2" X 4" GALV U-BOLT KIT	4	0.56 LBS
6	GB-05205	5/8" X 2" GALV BOLT KIT	8	0.13 LBS
7	GWF-05	5/8" GALV FLAT WASHER	8	0.02 LBS

REVISIONS				
REV.	ZONE	DESCRIPTION	BY	DATE
A		INITIAL RELEASE	AW	12/08/04
B		ADDED FLAT WASHERS	ACG	07/05/05



PART NUMBER	PLAIN END PIPE	DESCRIPTION	WEIGHT
PM-SL2-72	MT-651	PLAIN END PIPE 2-3/8" OD X 72"	51 LBS
PM-SL2-96	MT-651-96	PLAIN END PIPE 2-3/8" OD X 96"	63.5 LBS
PM-SL2	N/A	N/A	30 LBS

<small>These drawings and specifications are the proprietary property of ANDREW CORPORATION and may be used only for the specific purpose authorized in writing by Andrew Corporation.</small> ALL DIMENSIONS ARE IN INCHES U.O.S. TOLERANCES UNLESS OTHERWISE SPECIFIED: .X = ± .06 ANGLES ±2° .XX = ± .03 FRACTIONS ±1/32 .XXX = ± .010 REMOVE BURRS AND BREAK EDGES .005 DO NOT SCALE THIS PRINT	<small>DRAWN BY:</small> AW	<small>SHEET:</small> 1 of 1	<small>PART NUMBER:</small> PM-SL2 SERIES
	<small>CHECKED BY:</small> TP	<small>SCALE:</small> NTS	<small>DESCRIPTION:</small> SLIDE MOUNT 2- 3/8" O.D. PIPE
	<small>DATE:</small> 12/08/04	<small>MATERIAL:</small> A36, A53	<small>DRAWING TYPE:</small> ASSEMBLY DRAWING
	<small>REVISION:</small> B	<small>FINISH:</small> GALV A123 <small>WEIGHT:</small> SEE TABLE	 ORLAND PARK, IL. 60462 U.S.A.