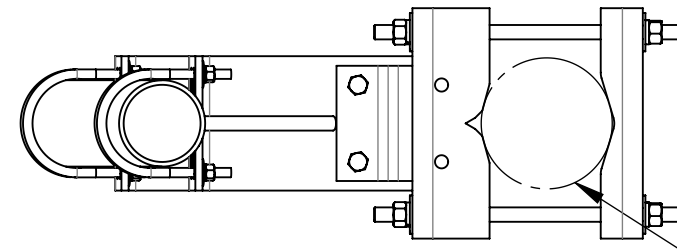
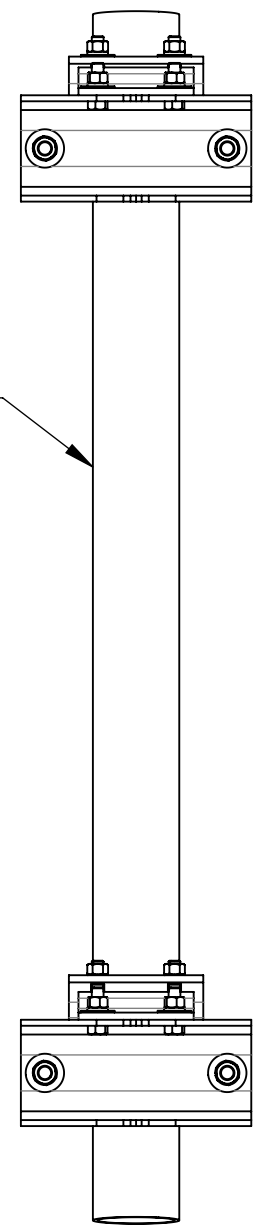


- 1.0 GENERAL NOTES
 - 1.1 ALL METRIC DIMENSIONS ARE IN BRACKETS [X. X]
 - 1.2 FOR PATENT INFO: <https://www.cs-pat.com>
- 2.0 DESIGN NOTES
 - 2.1 ANY HAZARDS OR OBSTRUCTIONS TO THE CLIMBING FACILITY AND SAFETY CLIMB MUST BE IDENTIFIED PRIOR TO INSTALLING THE APPURTENANCE. ADDITIONAL PRODUCTS MAY BE REQUIRED TO MAINTAIN THE INTEGRITY OF THE SAFETY CLIMB. DURING INSTALLATION, TEMPORARY AND/OR PERMANENT PRECAUTIONARY MEASURES SHOULD BE TAKEN TO PRESERVE THE CLIMBING FACILITY AND/OR SAFETY CLIMB.
- 3.0 MANUFACTURING/SPECIAL REQUIREMENTS
 - 3.1 TIGHTEN ALL BOLTS SECURING FLAT PLATES BY THE TURN-OF-NUT METHOD. TIGHTEN ALL U-BOLTS USING TURN-OF-NUT METHOD WITH ATTENTION TO LEAVE EQUAL DISTANCE AND EQUAL FORCE ON EACH LEG OF THE U-BOLT.
- 4.0 TEST
- 5.0 PACKAGING
 - 5.1 PACKAGING SHALL MEET COMMSCOPE REQUIREMENTS PER DOCUMENT IS-PL-3005
 - 5.2 PRINTED DOCUMENT TO BE PLACED INSIDE POLYBAG AND THEN IN SHIPPING CONTAINER
 - 5.3 EXTRA HARDWARE MAYBE SUPPLIED, BAGGED AND SHIPPED

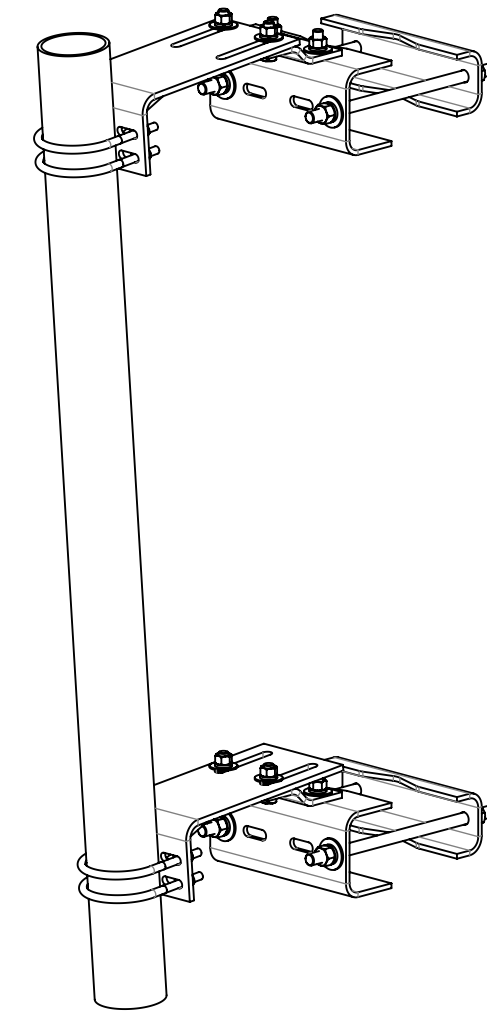
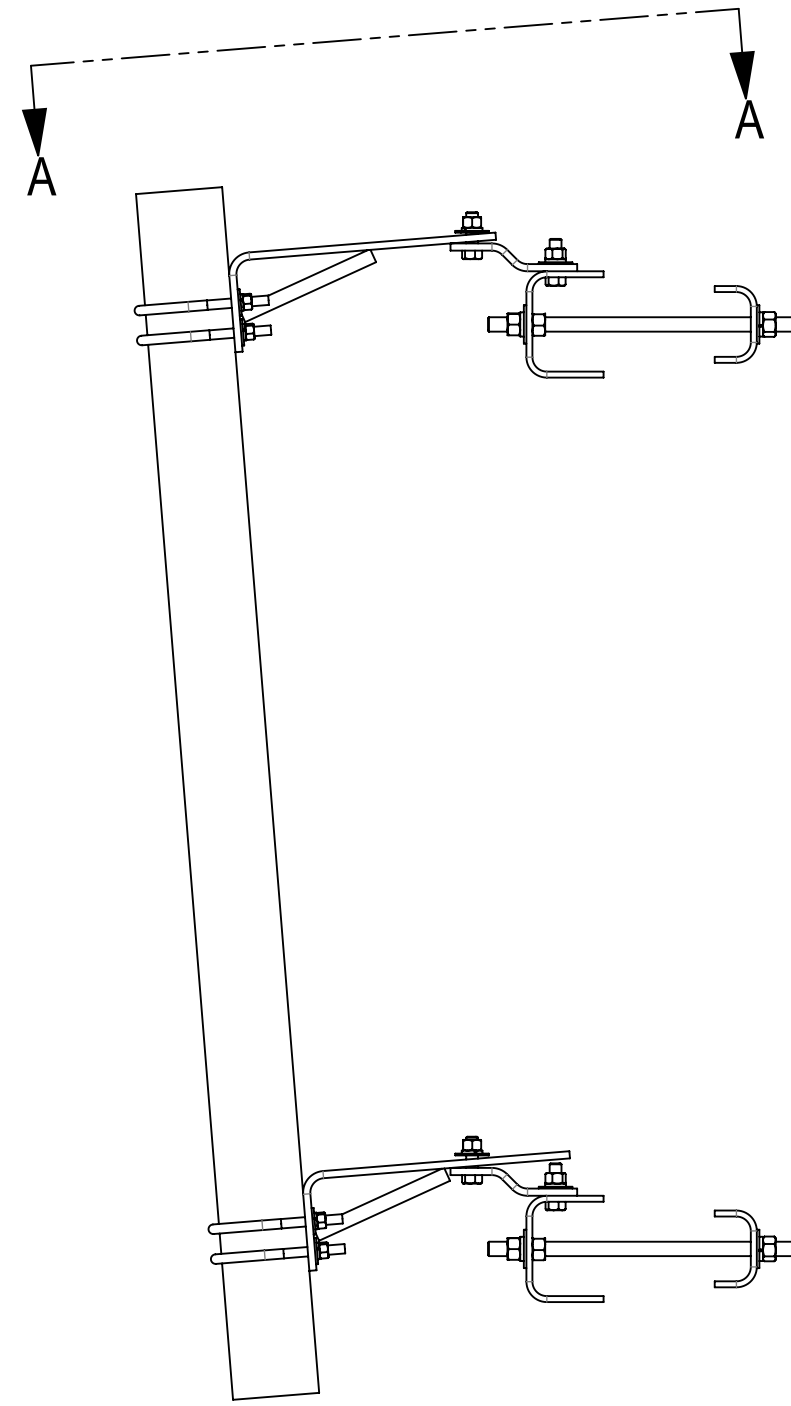
REVISIONS			
REV.	DESCRIPTION	DATE	APPROVED
A	INITIAL RELEASE	MSM 14OCT09	
B	UPDATE TABLE BASE KITS	MSM 22OCT09	
C	UPDATED AND RENUMBERED BOM	DRR 29SEP10	
D	ADDED 24" AND 48" CONFIGURATIONS	DRR 20MAY11	
E	REDRAWN NEW SERIES DRAWING	YMENG 07SEP23	BA1025 40178803CMO



FOR POLES UP TO 8" OD
FOR 90° ANGLES UP TO 6"
FOR 60° ANGLES UP TO 8"

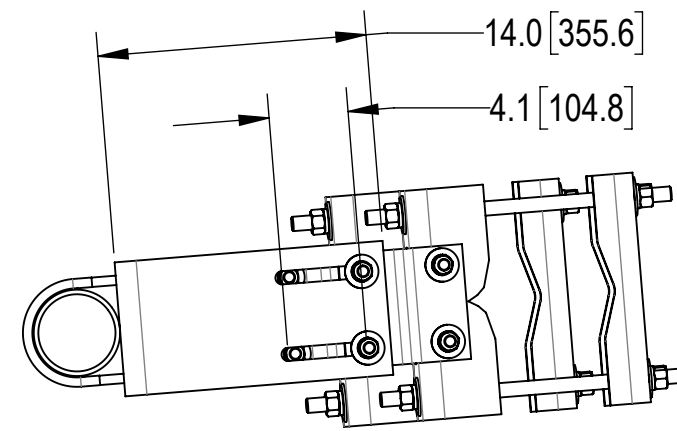


PIPE: ϕ 2.375" OD OR ϕ 4.500" OD
(SEE TABLE 1)



PM-SU4L-63 SHOWN FOR REFERENCE
(SEE TABLE 1 FOR ALL CONFIGURATIONS)

PART NUMBER	PIPE	U-BOLT	TOTAL WEIGHT (LBS)
PM-SU2L-B	-	GUB-4240	90.85
PM-SU2L-24	MT-648	GUB-4240	96.67
PM-SU2L-48	MT-650	GUB-4240	102.48
PM-SU2L-72	MT-651	GUB-4240	108.30
PM-SU2L-96	MT-651-96	GUB-4240	114.11
PM-SU4L-B	-	GUB-4456	92.21
PM-SU4L-24	MT-653-24	GUB-4456	114.13
PM-SU4L-48	MT-653	GUB-4456	126.97
PM-SU4L-63	MT-653-63	GUB-4456	149.24
PM-SU4L-84	MT-654-84	GUB-4456	168.93
PM-SU4L-96	MT-654-96	GUB-4456	179.88



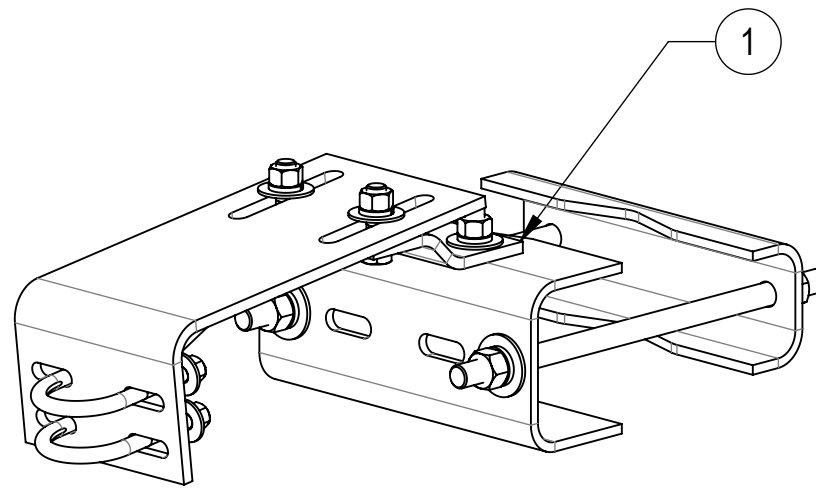
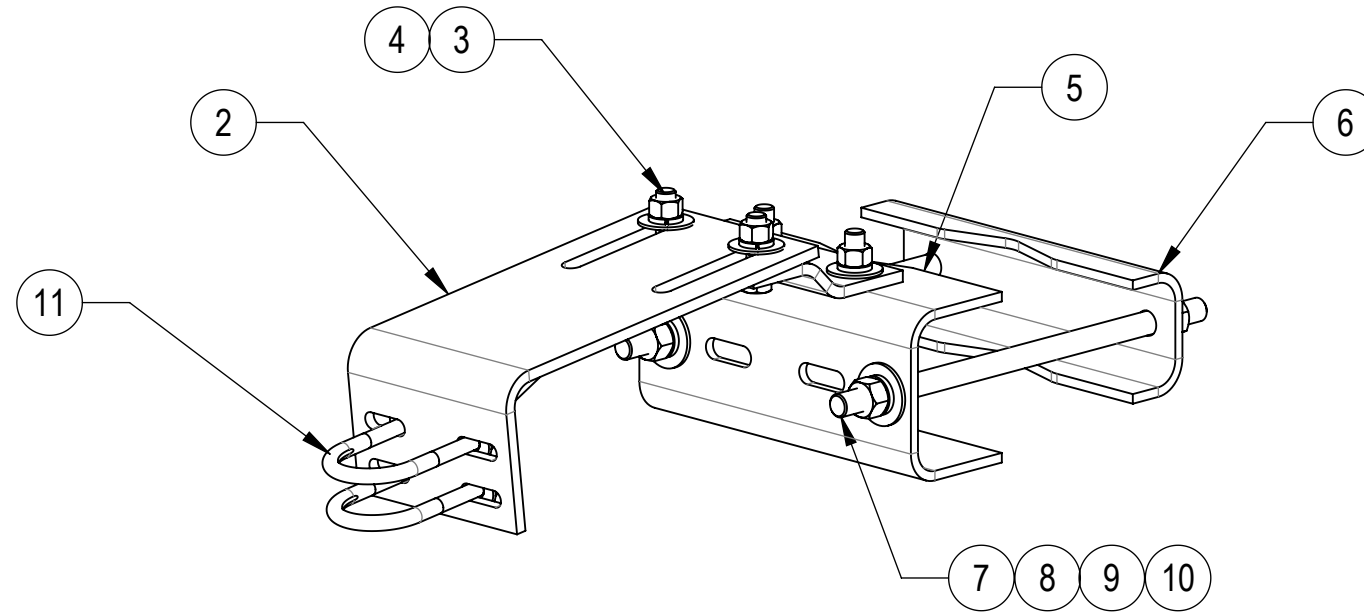
VIEW A-A

DENSITY	lbs/in ³
MASS	lbs
VOLUME	in ³
SURFACE AREA	in ²
HEIGHT	
LENGTH	
WIDTH	

© 2023 CommScope, Inc. Confidential


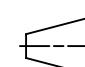
COMMSCOPE, INC. OF NORTH CAROLINA																				
TOLERANCES						SAP MATERIAL MASTER														
1 PLACE .X[X] ± 0.12[3.0]			3 PLACE .XXX[X] ± 0.030[0.8]			SEE TABLE 1														
2 PLACE .XX[X] ± 0.06[1.5]			ANGLES ± 2°																	
FINISH						MATERIAL														
UNLESS OTHERWISE SPECIFIED DIMENSIONS ARE IN INCHES INTERPRET PER ANSI Y 14.5M-1994	NAME	DATE	TITLE																	
	CE MSM	14OCT10	UNIVERSAL SLIDING PIPE MOUNT, 14" LONG																	
	RW YMENG	09/14/2023																		
	AD LS1146	09/14/2023	SCALE	DOCUMENT NO.																
	RE YMENG	09/21/2023	1:12	PM-SUL SERIES																
ECN 40178803CMO			SIZE			Auth Group			INSL											
C						MODEL			DRAWING			SHEET 1 OF 12								
						VERSION	STATUS	REVISION	VERSION	STATUS	REVISION									
			01			RE			E			01			RE			E		

COMPONENTS FOR INSTALLATION
PM-SU2L-B SHOWN ON THIS PAGE

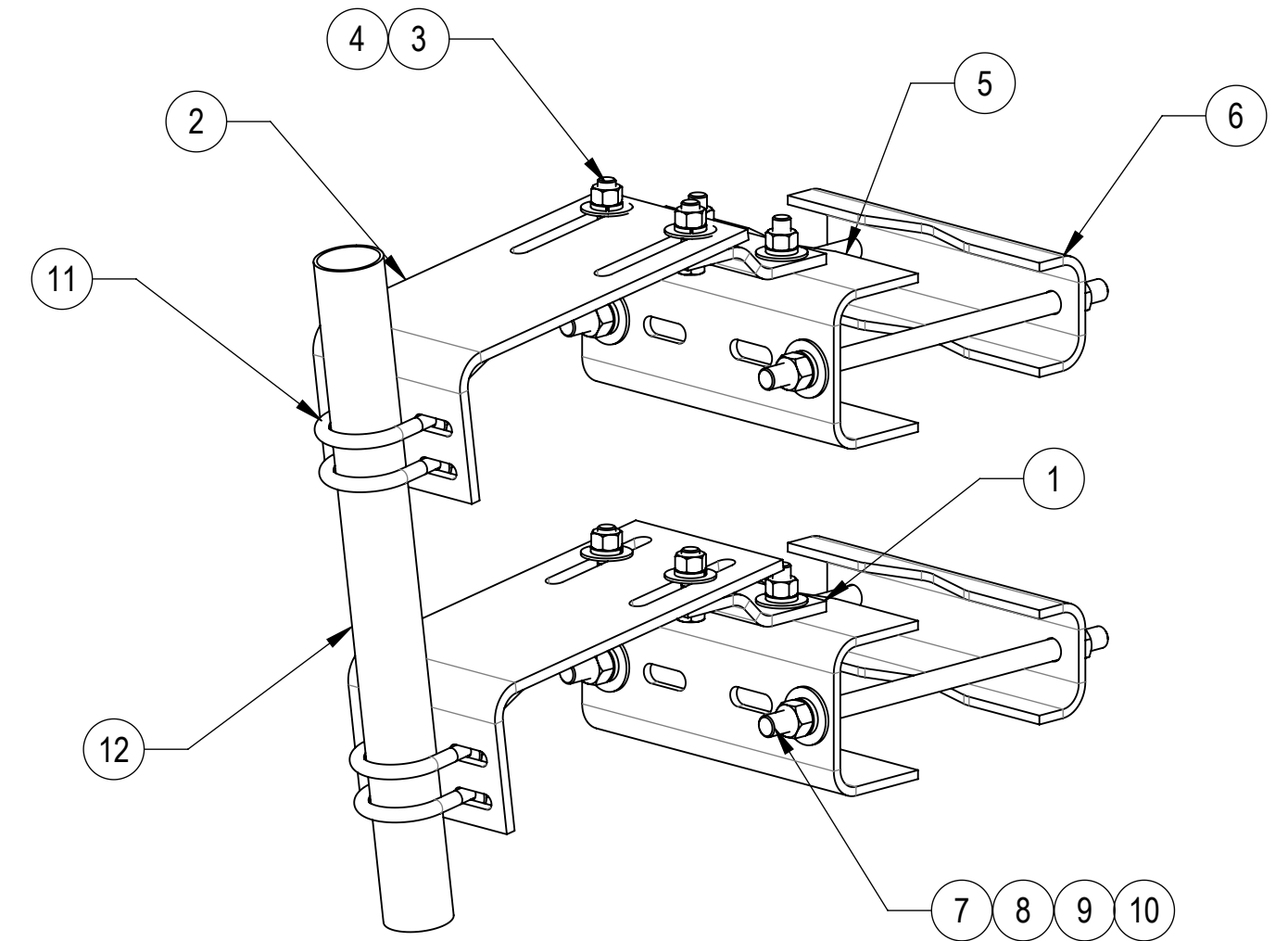
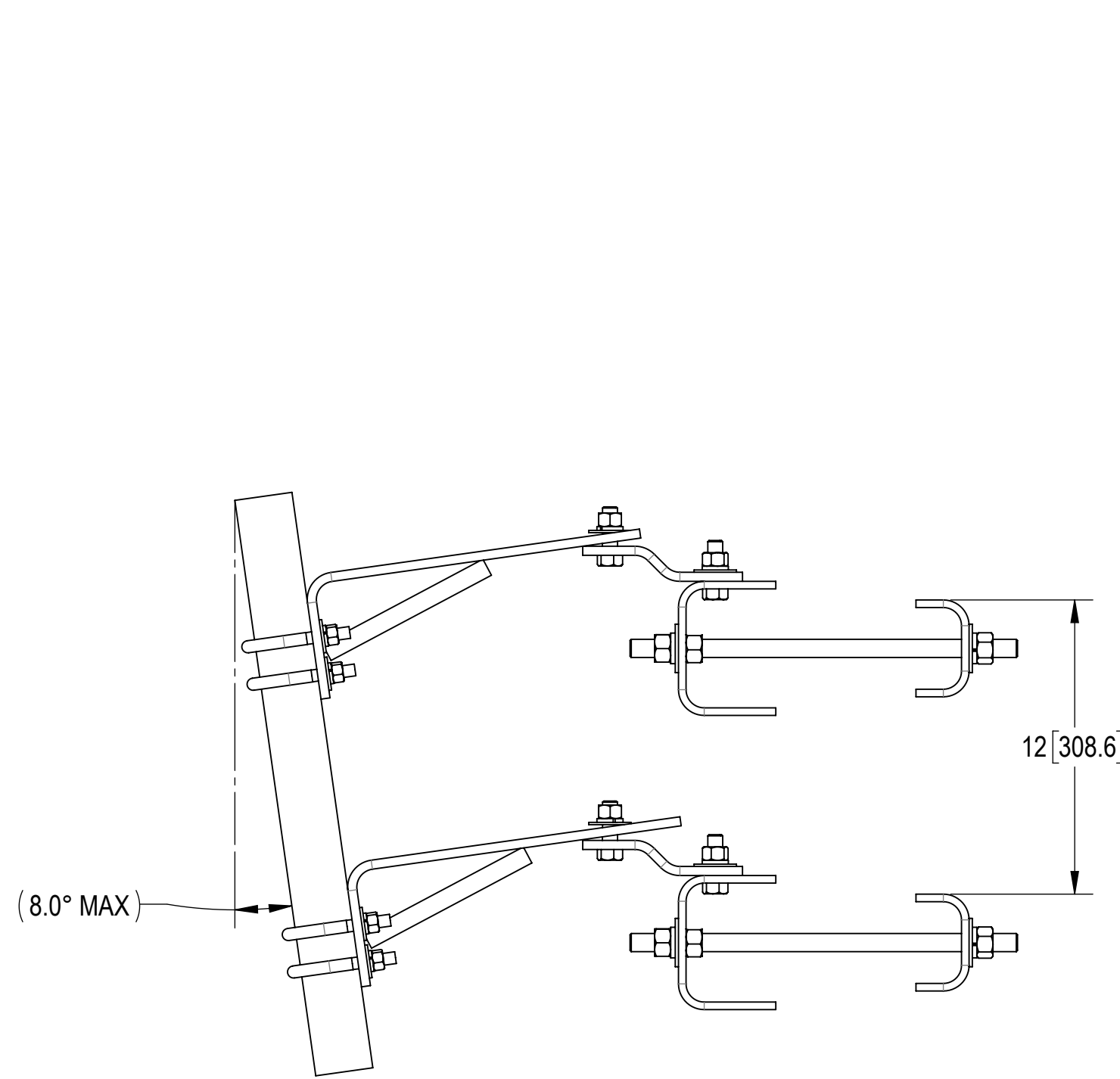


COMPONENT PART NUMBERS PROVIDED FOR ASSEMBLY PURPOSES;
INDIVIDUAL COMPONENTS MAY BE SHIPPED AS PARTS WITHIN AN INCLUDED KIT.

ITEM	PART NO.	DESCRIPTION	QTY.	WEIGHT	NOTE NO.
1	PMSL01	S-BRACKET	2	4.30 LBS	
2	PMSL05	14" L-BRACKET	2	13.44 LBS	
3	GB-0520A	5/8" X 2" GALV BOLT KIT (A325)	8	0.26 LBS	
4	GWF-05	5/8" GALV FLAT WASHER, 1.7OD	8	0.06 LBS	
5	SMU208004	MOUNT	2	12.15 LBS	
6	SMU208006	CLAMP PLATE	2	6.96 LBS	
7	MT38416	THREADED ROD GALV 3/4" X 16"	4	1.99 LBS	
8	GWF-06	3/4" GALV FLAT WASHER	8	0.10 LBS	
9	GWL-06	3/4" GALV LOCK WASHER	8	0.04 LBS	
10	GN-06	3/4" GALV HEX NUT	12	0.15 LBS	
11	GUB-4240	1/2" X 2-1/2" X 4" GALV U-BOLT	4	0.56 LBS	


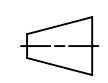
COMMSCOPE, INC. OF NORTH CAROLINA					
TITLE UNIVERSAL SLIDING PIPE MOUNT, 14" LONG					
SIZE C	SCALE 1:12	DOCUMENT NO. PM-SUL SERIES			
 		DRAWING			SHEET 2 OF 12
		VERSION 01	STATUS RE	REVISION E	

COMPONENTS FOR INSTALLATION
PM-SU2L-24 SHOWN ON THIS PAGE

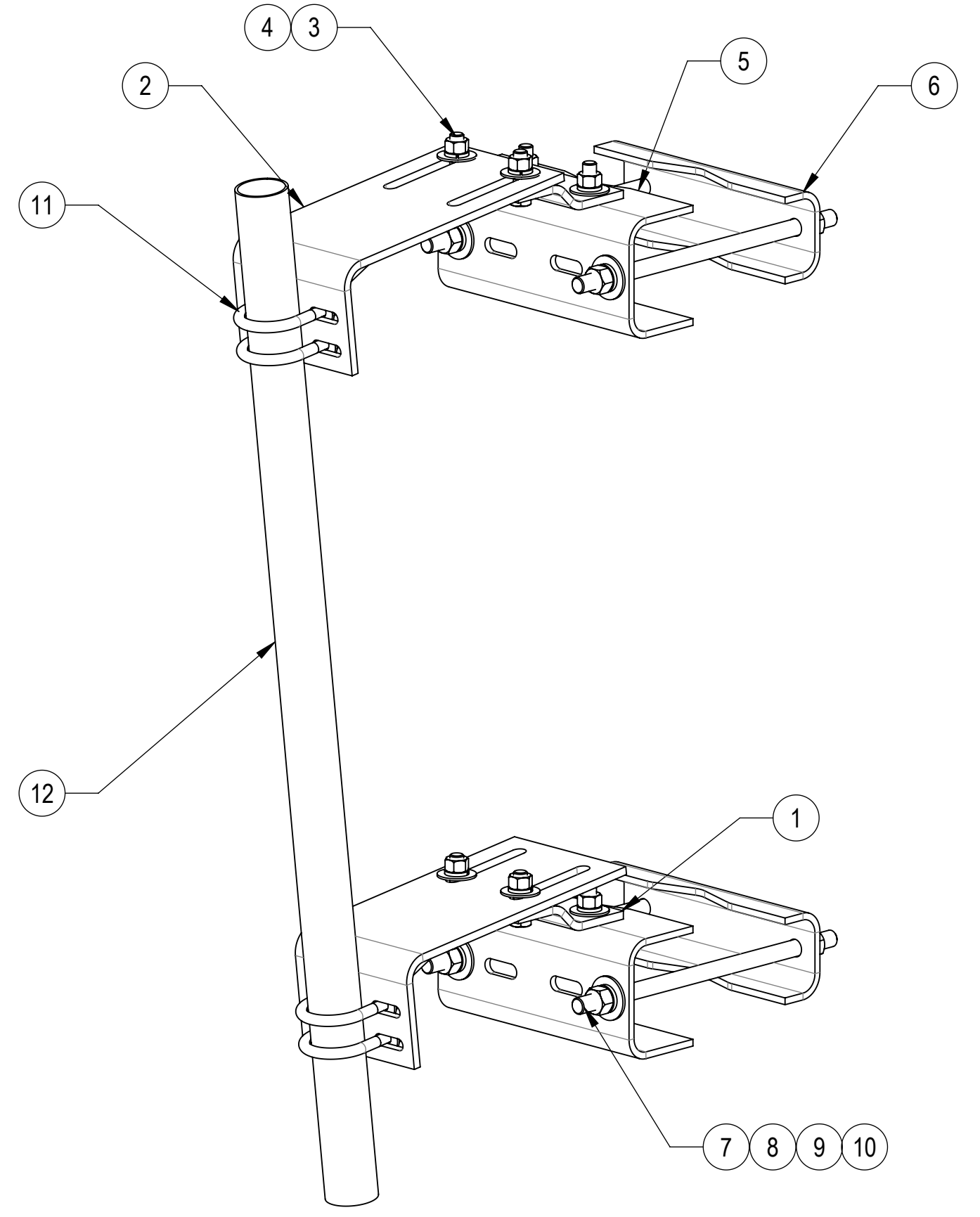
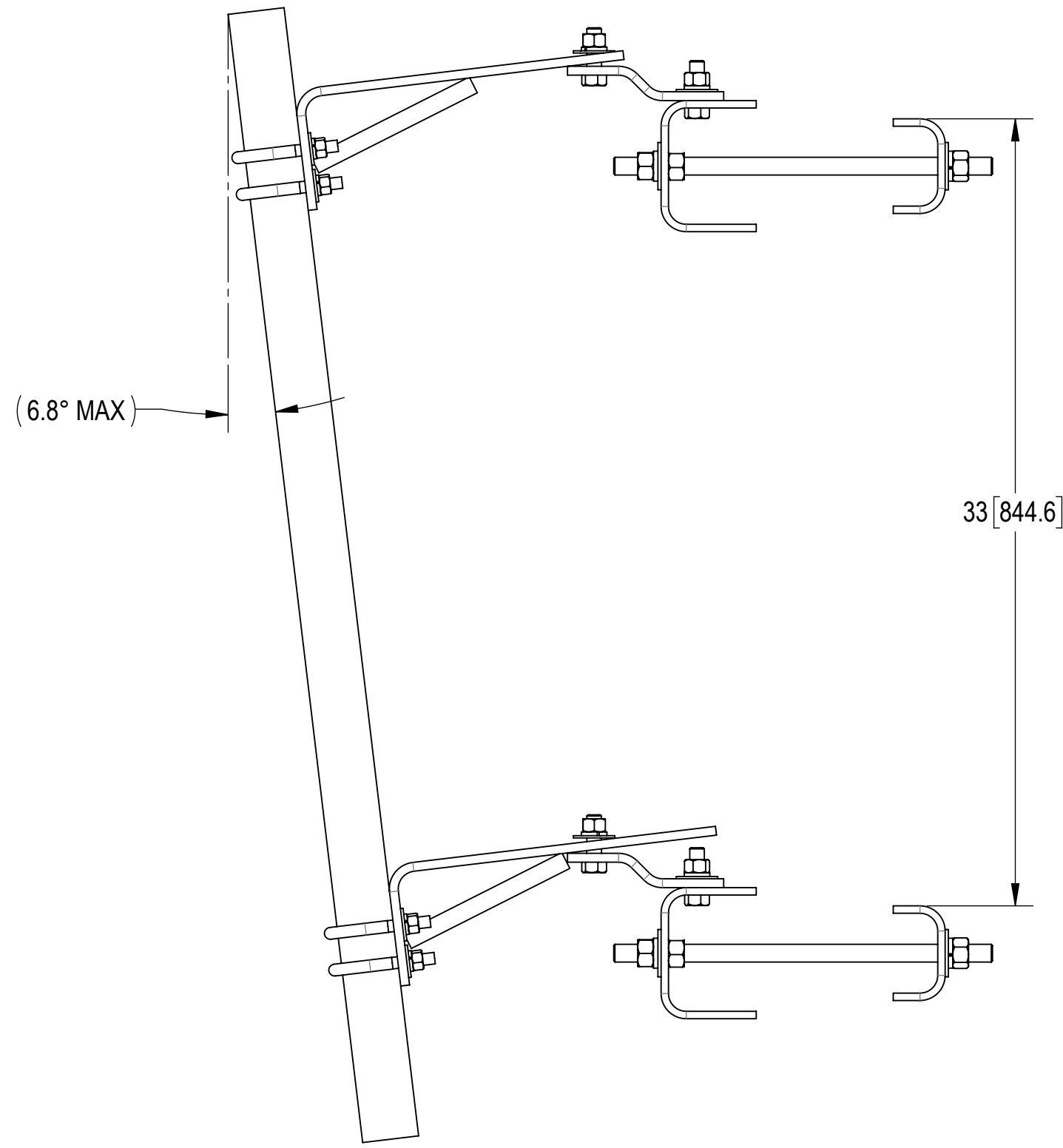


COMPONENT PART NUMBERS PROVIDED FOR ASSEMBLY PURPOSES;
INDIVIDUAL COMPONENTS MAY BE SHIPPED AS PARTS WITHIN AN INCLUDED KIT.

ITEM	PART NO.	DESCRIPTION	QTY.	WEIGHT	NOTE NO.
1	PMSL01	S-BRACKET	2	4.30 LBS	
2	PMSL05	14" L-BRACKET	2	13.44 LBS	
3	GB-0520A	5/8" X 2" GALV BOLT KIT (A325)	8	0.26 LBS	
4	GWF-05	5/8" GALV FLAT WASHER, 1.7OD	8	0.06 LBS	
5	SMU208004	MOUNT	2	12.15 LBS	
6	SMU208006	CLAMP PLATE	2	6.96 LBS	
7	MT38416	THREADED ROD GALV 3/4" X 16"	4	1.99 LBS	
8	GWF-06	3/4" GALV FLAT WASHER	8	0.10 LBS	
9	GWL-06	3/4" GALV LOCK WASHER	8	0.04 LBS	
10	GN-06	3/4" GALV HEX NUT	12	0.15 LBS	
11	GUB-4240	1/2" X 2-1/2" X 4" GALV U-BOLT	4	0.56 LBS	
12	MT-648	2.375" OD X 24" PIPE	1	5.81 LBS	

COMMSCOPE, INC. OF NORTH CAROLINA				
TITLE UNIVERSAL SLIDING PIPE MOUNT, 14" LONG				
SIZE C	SCALE 1:12	DOCUMENT NO. PM-SUL SERIES		
DRAWING		VERSION	STATUS	REVISION
 		01	RE	E
				SHEET 3 OF 12

COMPONENTS FOR INSTALLATION
PM-SU2L-48 SHOWN ON THIS PAGE

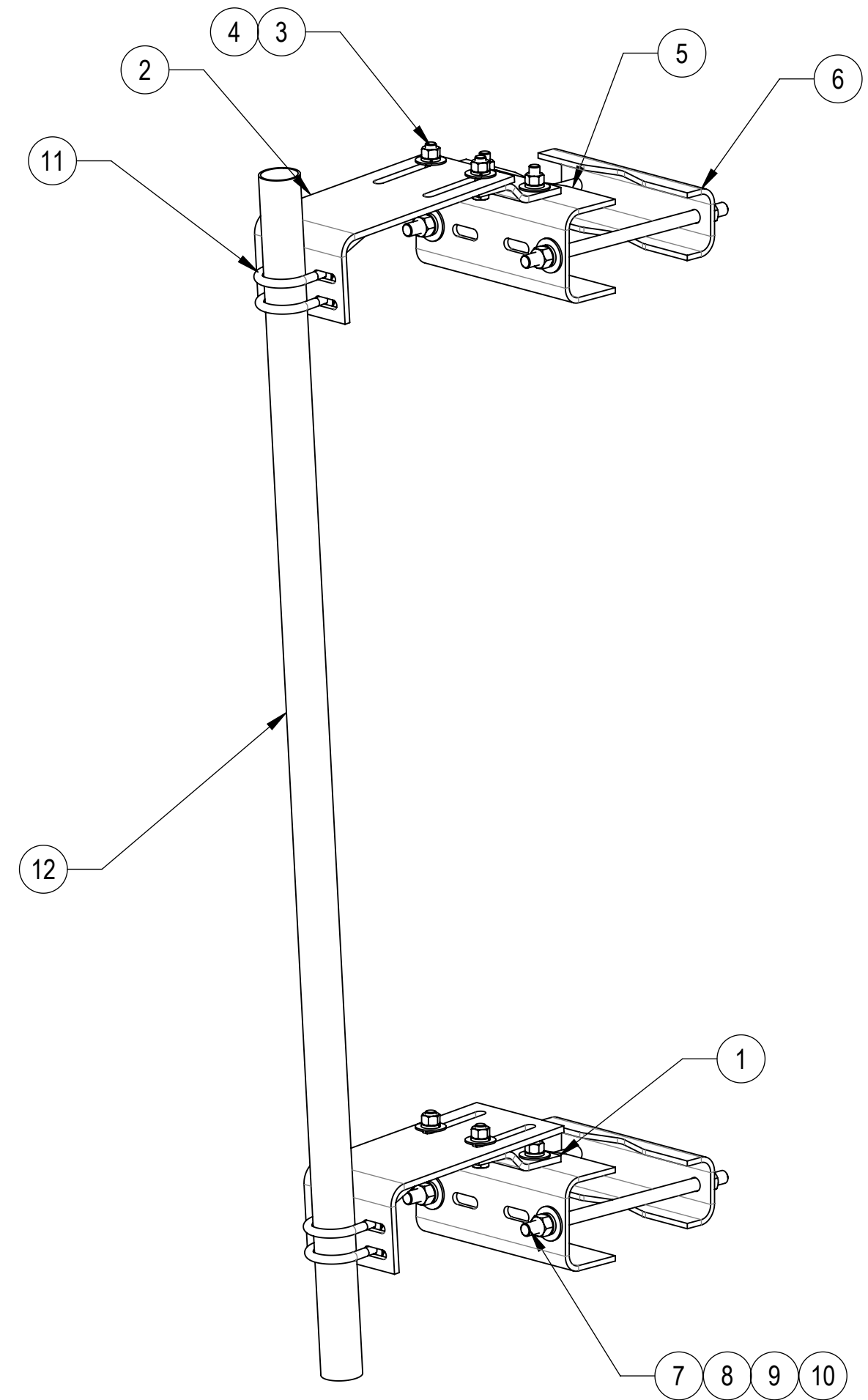
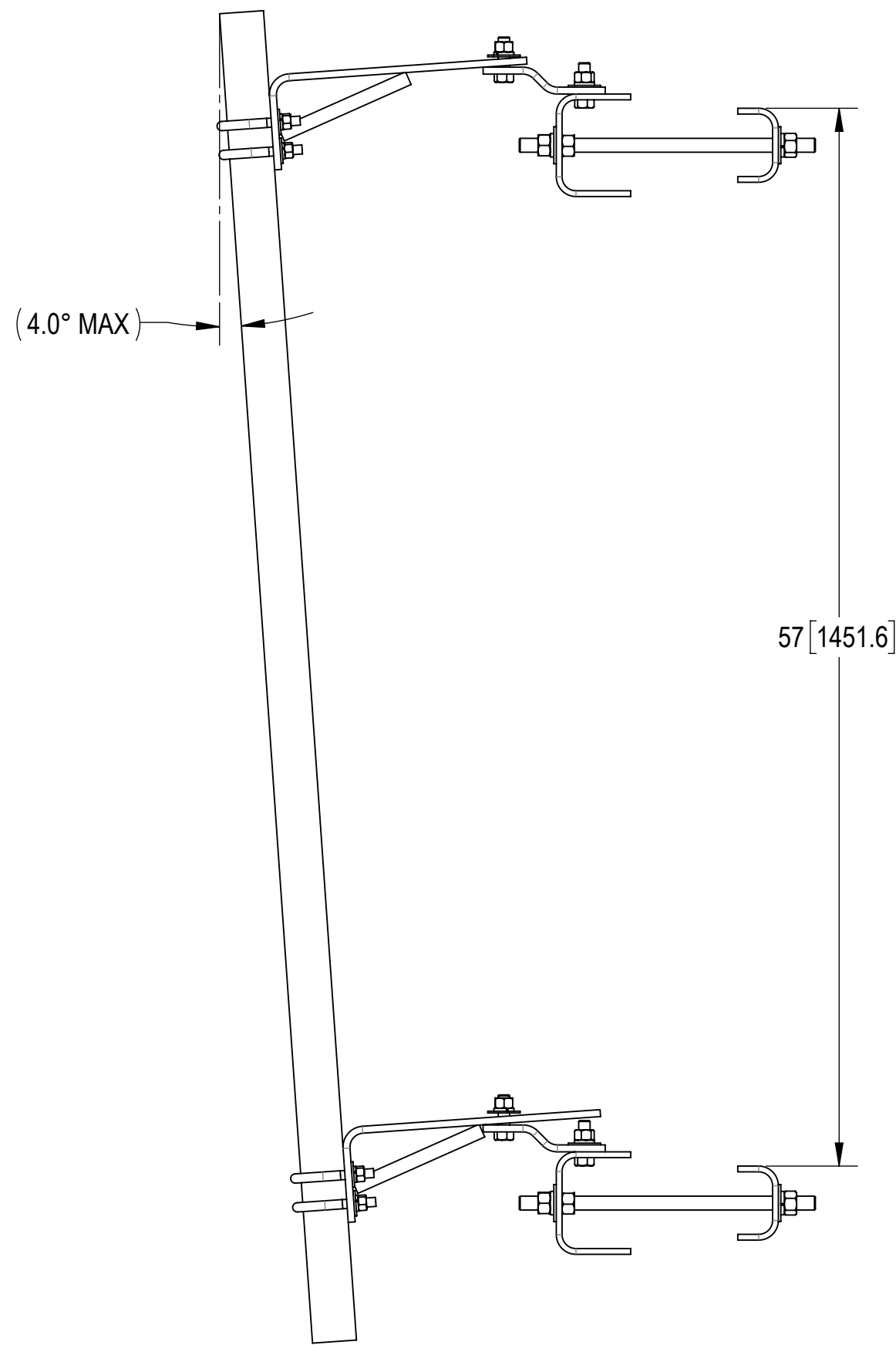


COMPONENT PART NUMBERS PROVIDED FOR ASSEMBLY PURPOSES;
INDIVIDUAL COMPONENTS MAY BE SHIPPED AS PARTS WITHIN AN INCLUDED KIT.

ITEM	PART NO.	DESCRIPTION	QTY.	WEIGHT	NOTE NO.
1	PMSL01	S-BRACKET	2	4.30 LBS	
2	PMSL05	14" L-BRACKET	2	13.44 LBS	
3	GB-0520A	5/8" X 2" GALV BOLT KIT (A325)	8	0.26 LBS	
4	GWF-05	5/8" GALV FLAT WASHER, 1.70D	8	0.06 LBS	
5	SMU208004	MOUNT	2	12.15 LBS	
6	SMU208006	CLAMP PLATE	2	6.96 LBS	
7	MT38416	THREADED ROD GALV 3/4" X 16"	4	1.99 LBS	
8	GWF-06	3/4" GALV FLAT WASHER	8	0.10 LBS	
9	GWL-06	3/4" GALV LOCK WASHER	8	0.04 LBS	
10	GN-06	3/4" GALV HEX NUT	12	0.15 LBS	
11	GUB-4240	1/2" X 2-1/2" X 4" GALV U-BOLT	4	0.56 LBS	
12	MT-650	2.375" OD X 48" PIPE	1	11.63 LBS	

COMMSCOPE, INC. OF NORTH CAROLINA				
TITLE UNIVERSAL SLIDING PIPE MOUNT, 14" LONG				
SIZE C	SCALE 1:12	DOCUMENT NO. PM-SUL SERIES		
DRAWING		VERSION	STATUS	REVISION
		01	RE	E
				SHEET 4 OF 12

COMPONENTS FOR INSTALLATION
PM-SU2L-72 SHOWN ON THIS PAGE

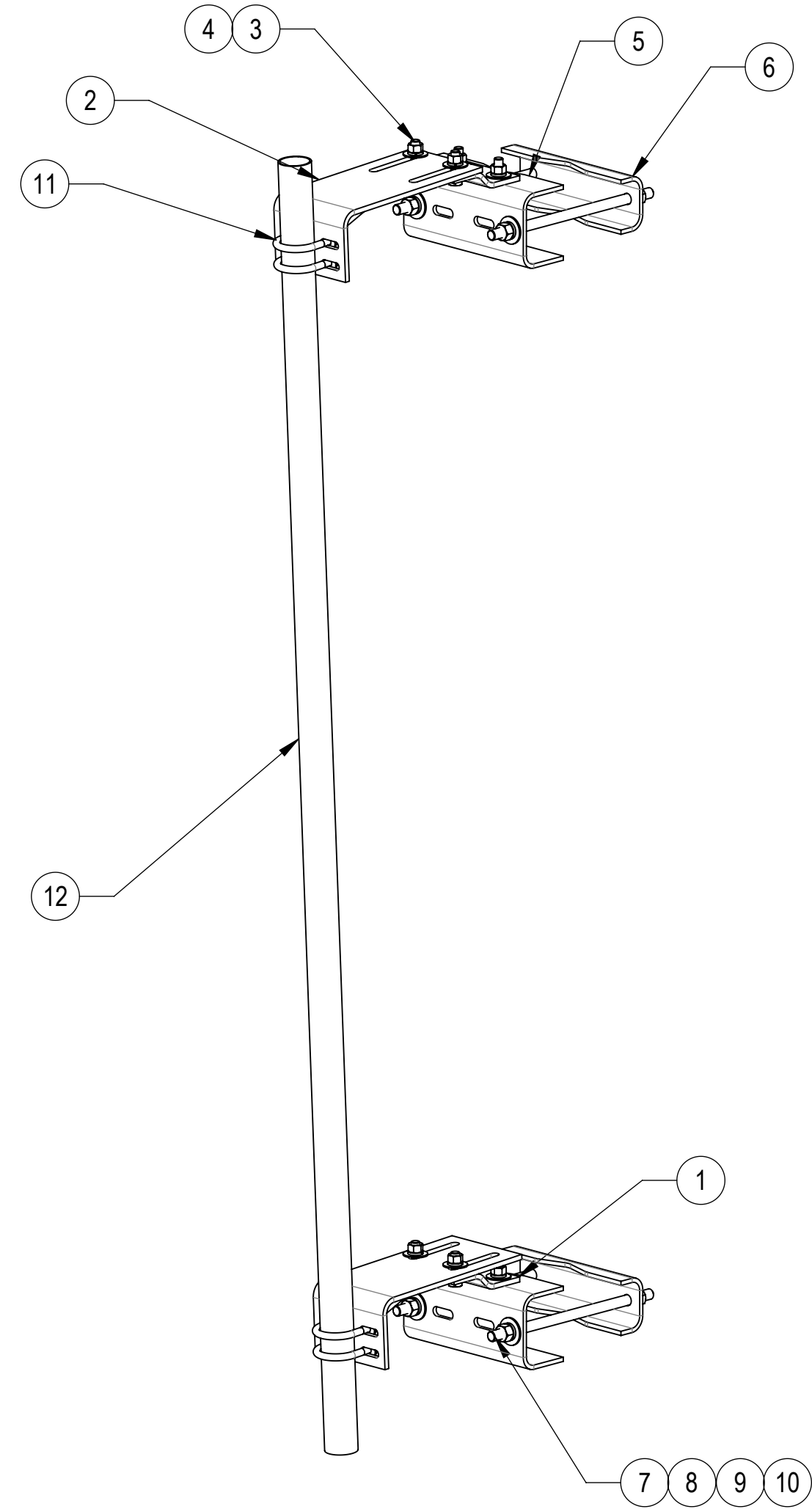
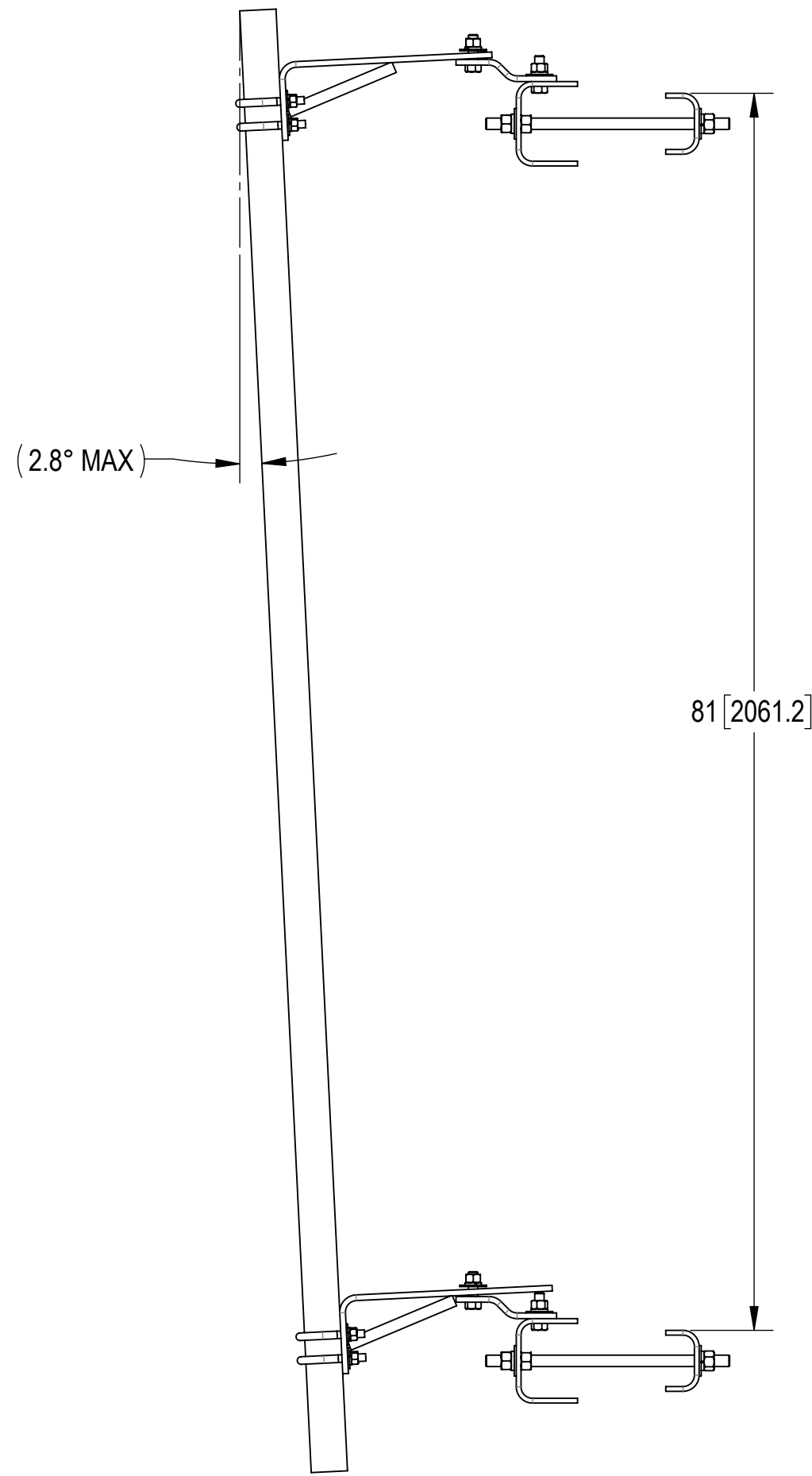


COMPONENT PART NUMBERS PROVIDED FOR ASSEMBLY PURPOSES;
INDIVIDUAL COMPONENTS MAY BE SHIPPED AS PARTS WITHIN AN INCLUDED KIT.

ITEM	PART NO.	DESCRIPTION	QTY.	WEIGHT	NOTE NO.
1	PMSL01	S-BRACKET	2	4.30 LBS	
2	PMSL05	14" L-BRACKET	2	13.44 LBS	
3	GB-0520A	5/8" X 2" GALV BOLT KIT (A325)	8	0.26 LBS	
4	GWF-05	5/8" GALV FLAT WASHER, 1.7OD	8	0.06 LBS	
5	SMU208004	MOUNT	2	12.15 LBS	
6	SMU208006	CLAMP PLATE	2	6.96 LBS	
7	MT38416	THREADED ROD GALV 3/4" X 16"	4	1.99 LBS	
8	GWF-06	3/4" GALV FLAT WASHER	8	0.10 LBS	
9	GWL-06	3/4" GALV LOCK WASHER	8	0.04 LBS	
10	GN-06	3/4" GALV HEX NUT	12	0.15 LBS	
11	GUB-4240	1/2" X 2-1/2" X 4" GALV U-BOLT	4	0.56 LBS	
12	MT-651	2.375" OD X 72" PIPE	1	17.44 LBS	

COMMSCOPE, INC. OF NORTH CAROLINA					
TITLE UNIVERSAL SLIDING PIPE MOUNT, 14" LONG					
SIZE C	SCALE 1:12	DOCUMENT NO. PM-SUL SERIES			
		DRAWING			SHEET 5 OF 12
		VERSION 01	STATUS RE	REVISION E	

COMPONENTS FOR INSTALLATION
PM-SU2L-96 SHOWN ON THIS PAGE

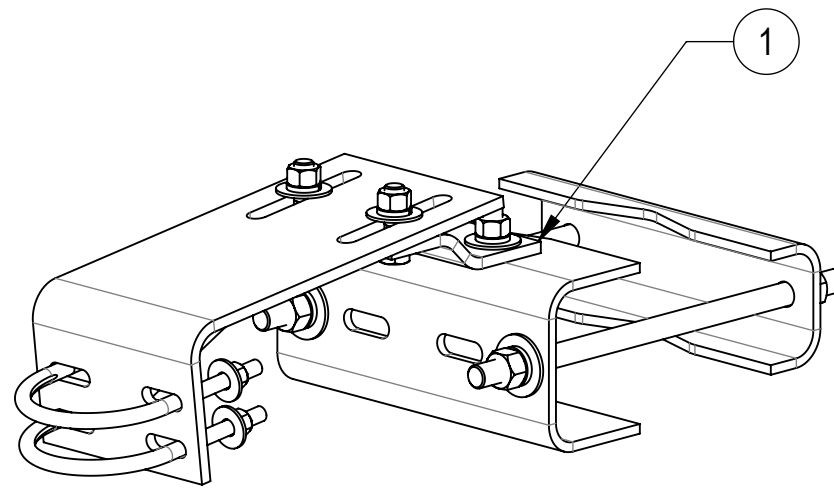
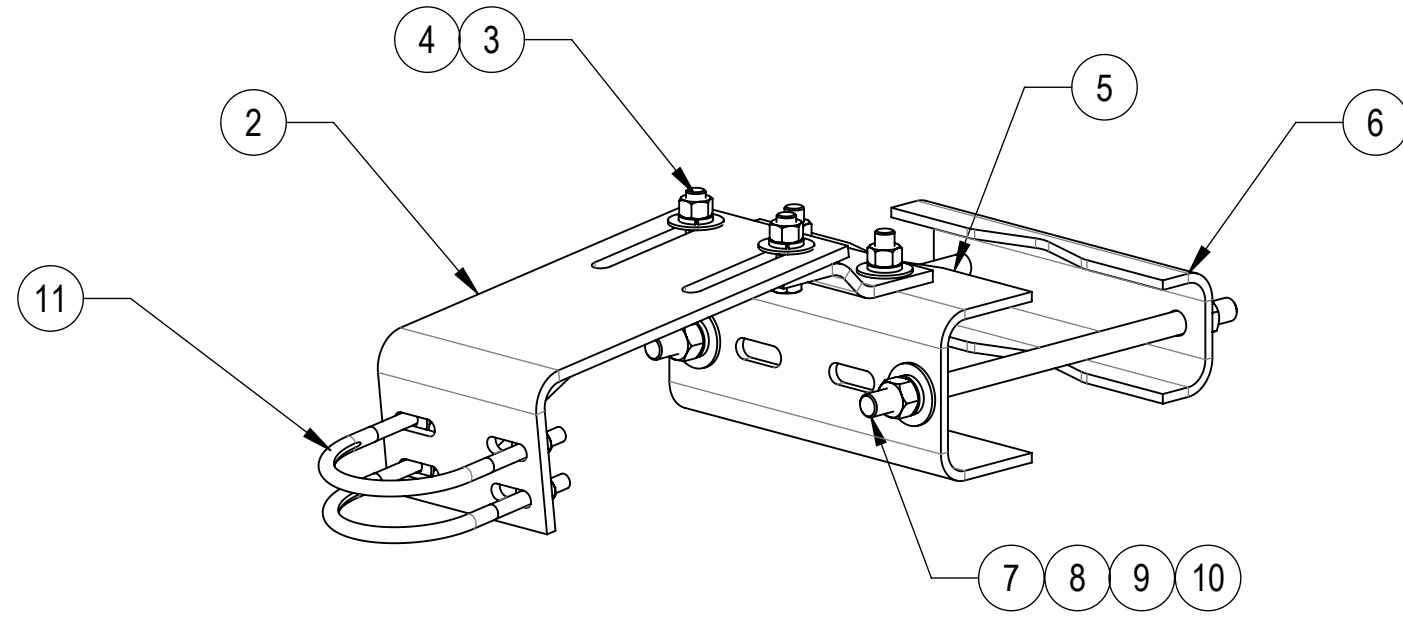


COMPONENT PART NUMBERS PROVIDED FOR ASSEMBLY PURPOSES;
INDIVIDUAL COMPONENTS MAY BE SHIPPED AS PARTS WITHIN AN INCLUDED KIT.

ITEM	PART NO.	DESCRIPTION	QTY.	WEIGHT	NOTE NO.
1	PMSL01	S-BRACKET	2	4.30 LBS	
2	PMSL05	14" L-BRACKET	2	13.44 LBS	
3	GB-0520A	5/8" X 2" GALV BOLT KIT (A325)	8	0.26 LBS	
4	GWF-05	5/8" GALV FLAT WASHER, 1.7OD	8	0.06 LBS	
5	SMU208004	MOUNT	2	12.15 LBS	
6	SMU208006	CLAMP PLATE	2	6.96 LBS	
7	MT38416	THREADED ROD GALV 3/4" X 16"	4	1.99 LBS	
8	GWF-06	3/4" GALV FLAT WASHER	8	0.10 LBS	
9	GWL-06	3/4" GALV LOCK WASHER	8	0.04 LBS	
10	GN-06	3/4" GALV HEX NUT	12	0.15 LBS	
11	GUB-4240	1/2" X 2-1/2" X 4" GALV U-BOLT	4	0.56 LBS	
12	MT-651-96	2.375" OD X 96" PIPE	1	23.05 LBS	


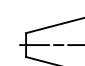
COMMSCOPE, INC. OF NORTH CAROLINA				
TITLE UNIVERSAL SLIDING PIPE MOUNT, 14" LONG				
SIZE C	SCALE 1:12	DOCUMENT NO. PM-SUL SERIES		
		DRAWING		SHEET 6 OF 12
		VERSION 01	STATUS RE	

COMPONENTS FOR INSTALLATION
PM-SU4L-B SHOWN ON THIS PAGE

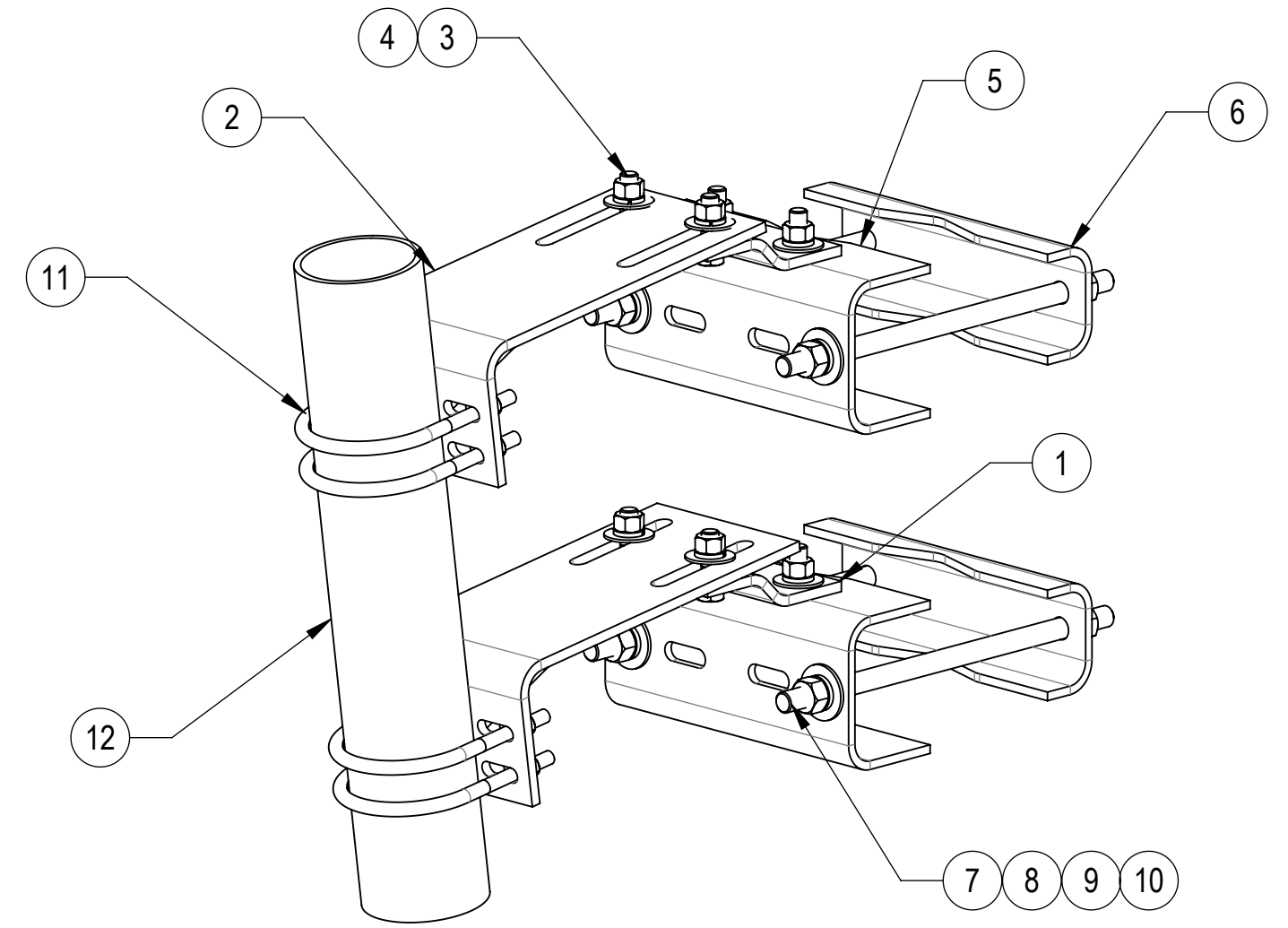
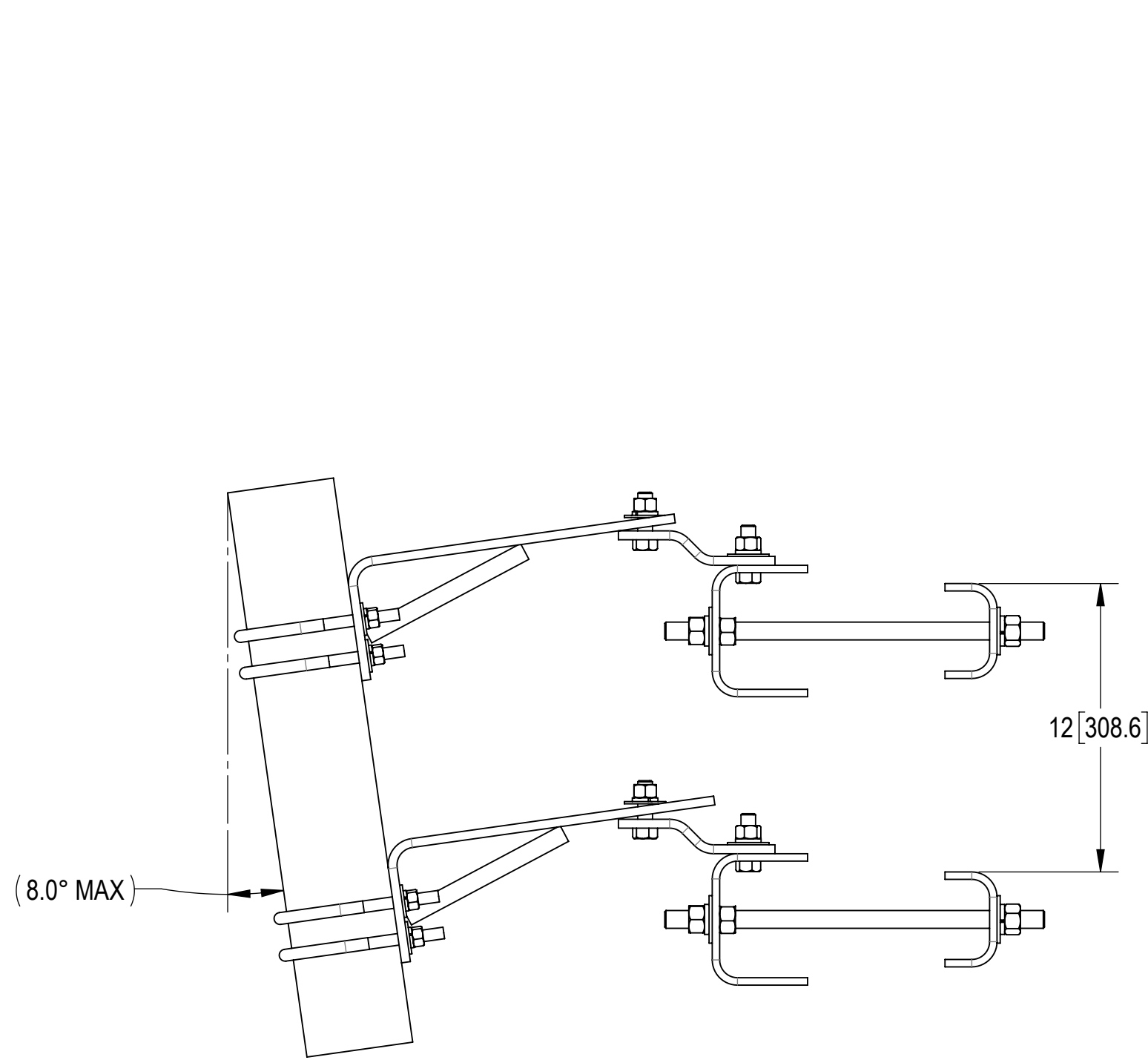


COMPONENT PART NUMBERS PROVIDED FOR ASSEMBLY PURPOSES;
INDIVIDUAL COMPONENTS MAY BE SHIPPED AS PARTS WITHIN AN INCLUDED KIT.

ITEM	PART NO.	DESCRIPTION	QTY.	WEIGHT	NOTE NO.
1	PMSL01	S-BRACKET	2	4.30 LBS	
2	PMSL05	14" L-BRACKET	2	13.44 LBS	
3	GB-0520A	5/8" X 2" GALV BOLT KIT (A325)	8	0.26 LBS	
4	GWF-05	5/8" GALV FLAT WASHER, 1.7OD	8	0.06 LBS	
5	SMU208004	MOUNT	2	12.15 LBS	
6	SMU208006	CLAMP PLATE	2	6.96 LBS	
7	MT38416	THREADED ROD GALV 3/4" X 16"	4	1.99 LBS	
8	GWF-06	3/4" GALV FLAT WASHER	8	0.10 LBS	
9	GWL-06	3/4" GALV LOCK WASHER	8	0.04 LBS	
10	GN-06	3/4" GALV HEX NUT	12	0.15 LBS	
11	GUB-4456	1/2" X 4-5/8" X 6-1/2" GALV U-BOLT	4	0.90 LBS	


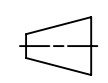
COMMSCOPE, INC. OF NORTH CAROLINA				
TITLE UNIVERSAL SLIDING PIPE MOUNT, 14" LONG				
SIZE C	SCALE 1:12	DOCUMENT NO. PM-SUL SERIES		
 		DRAWING		SHEET 7 OF 12
		VERSION 01	STATUS RE	

COMPONENTS FOR INSTALLATION
PM-SU4L-24 SHOWN ON THIS PAGE

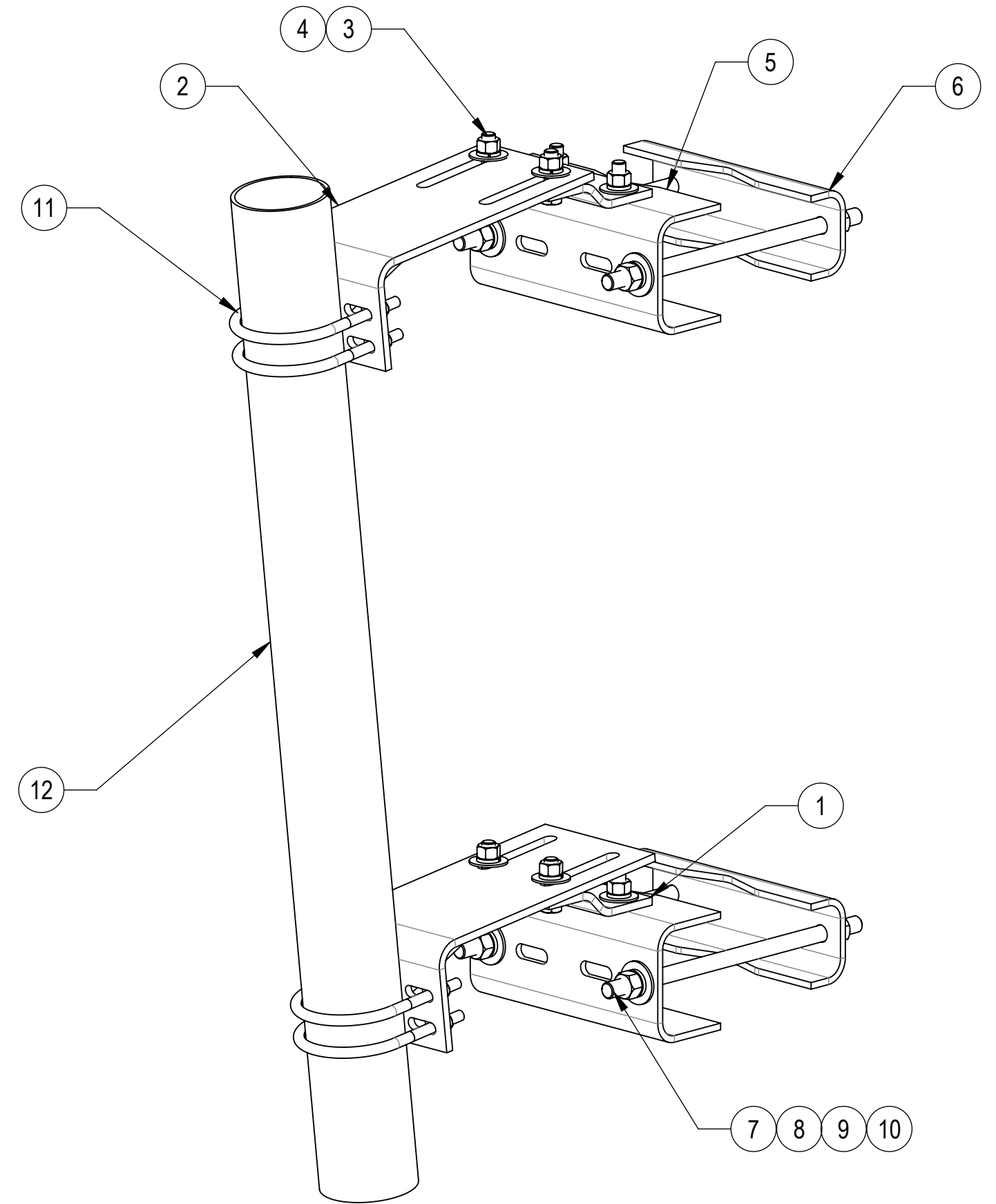
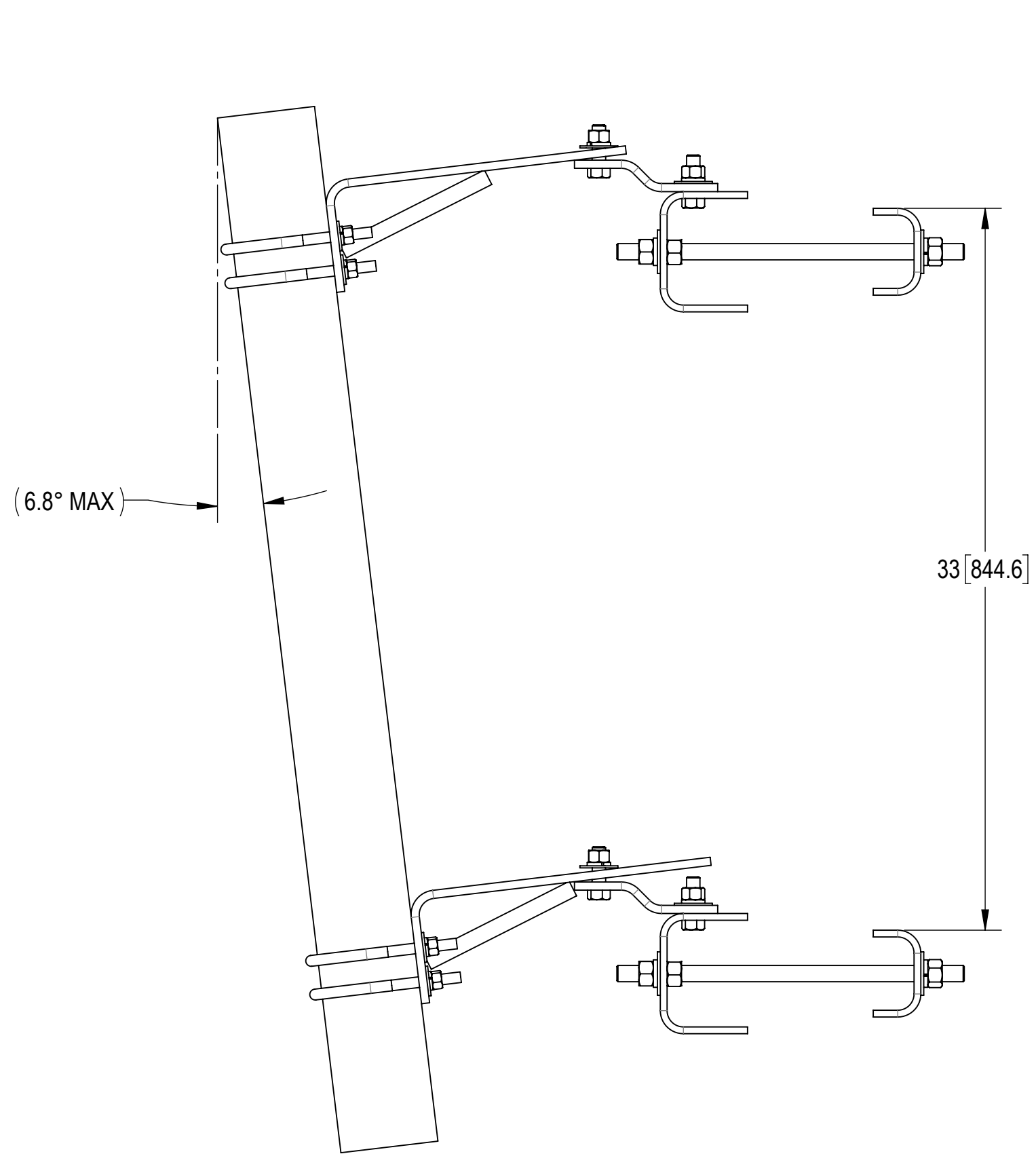


COMPONENT PART NUMBERS PROVIDED FOR ASSEMBLY PURPOSES;
INDIVIDUAL COMPONENTS MAY BE SHIPPED AS PARTS WITHIN AN INCLUDED KIT.

ITEM	PART NO.	DESCRIPTION	QTY.	WEIGHT	NOTE NO.
1	PMSL01	S-BRACKET	2	4.30 LBS	
2	PMSL05	14" L-BRACKET	2	13.44 LBS	
3	GB-0520A	5/8" X 2" GALV BOLT KIT (A325)	8	0.26 LBS	
4	GWF-05	5/8" GALV FLAT WASHER, 1.7OD	8	0.06 LBS	
5	SMU208004	MOUNT	2	12.15 LBS	
6	SMU208006	CLAMP PLATE	2	6.96 LBS	
7	MT38416	THREADED ROD GALV 3/4" X 16"	4	1.99 LBS	
8	GWF-06	3/4" GALV FLAT WASHER	8	0.10 LBS	
9	GWL-06	3/4" GALV LOCK WASHER	8	0.04 LBS	
10	GN-06	3/4" GALV HEX NUT	12	0.15 LBS	
11	GUB-4456	1/2" X 4-5/8" X 6-1/2" GALV U-BOLT	4	0.90 LBS	
12	MT-653-24	4.5 O.D. X 24" PIPE	1	21.92 LBS	

COMMSCOPE, INC. OF NORTH CAROLINA				
TITLE UNIVERSAL SLIDING PIPE MOUNT, 14" LONG				
SIZE C	SCALE 1:12	DOCUMENT NO. PM-SUL SERIES		
DRAWING		VERSION	STATUS	REVISION
 		01	RE	E
				SHEET 8 OF 12

COMPONENTS FOR INSTALLATION
PM-SU4L-48 SHOWN ON THIS PAGE

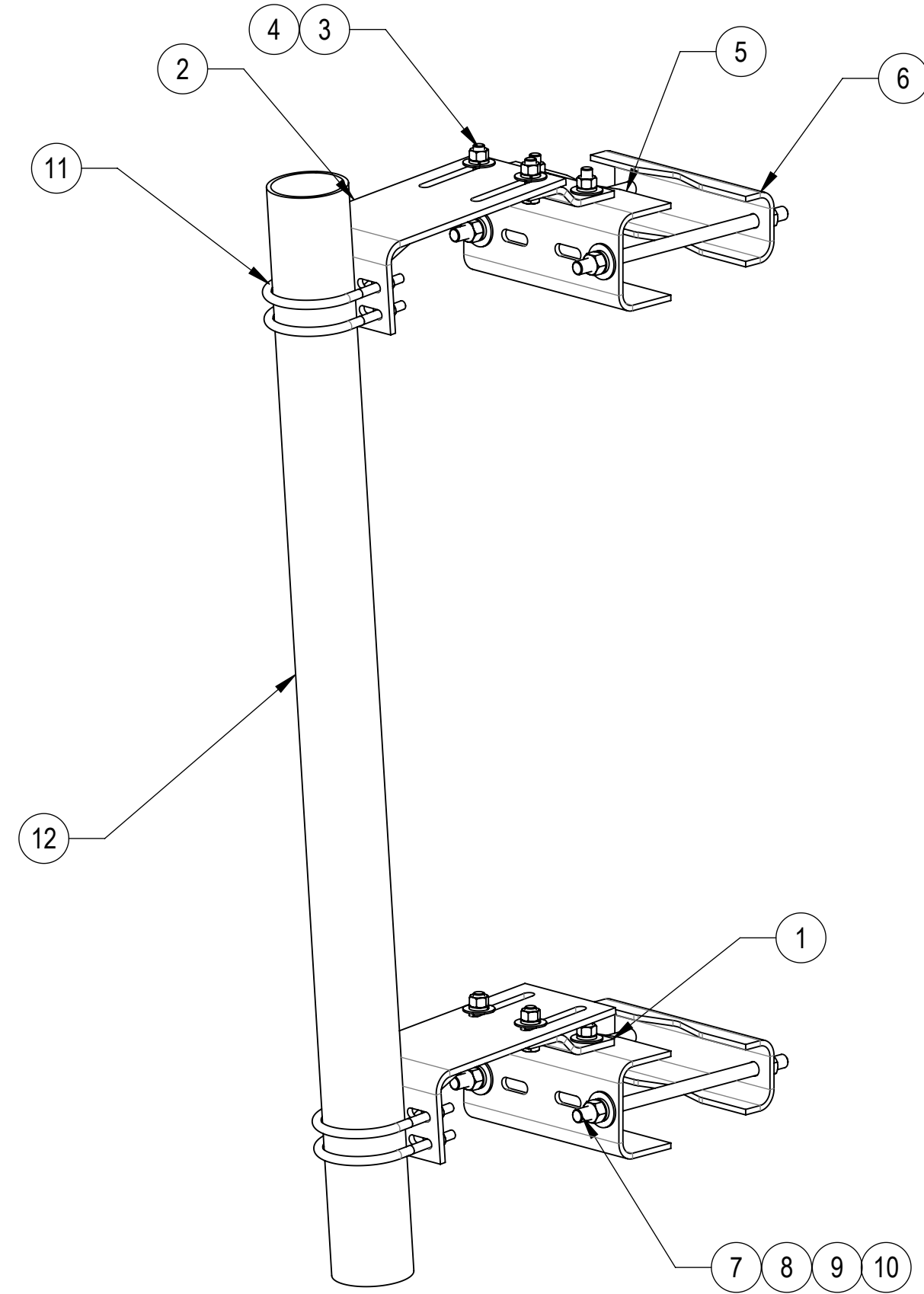
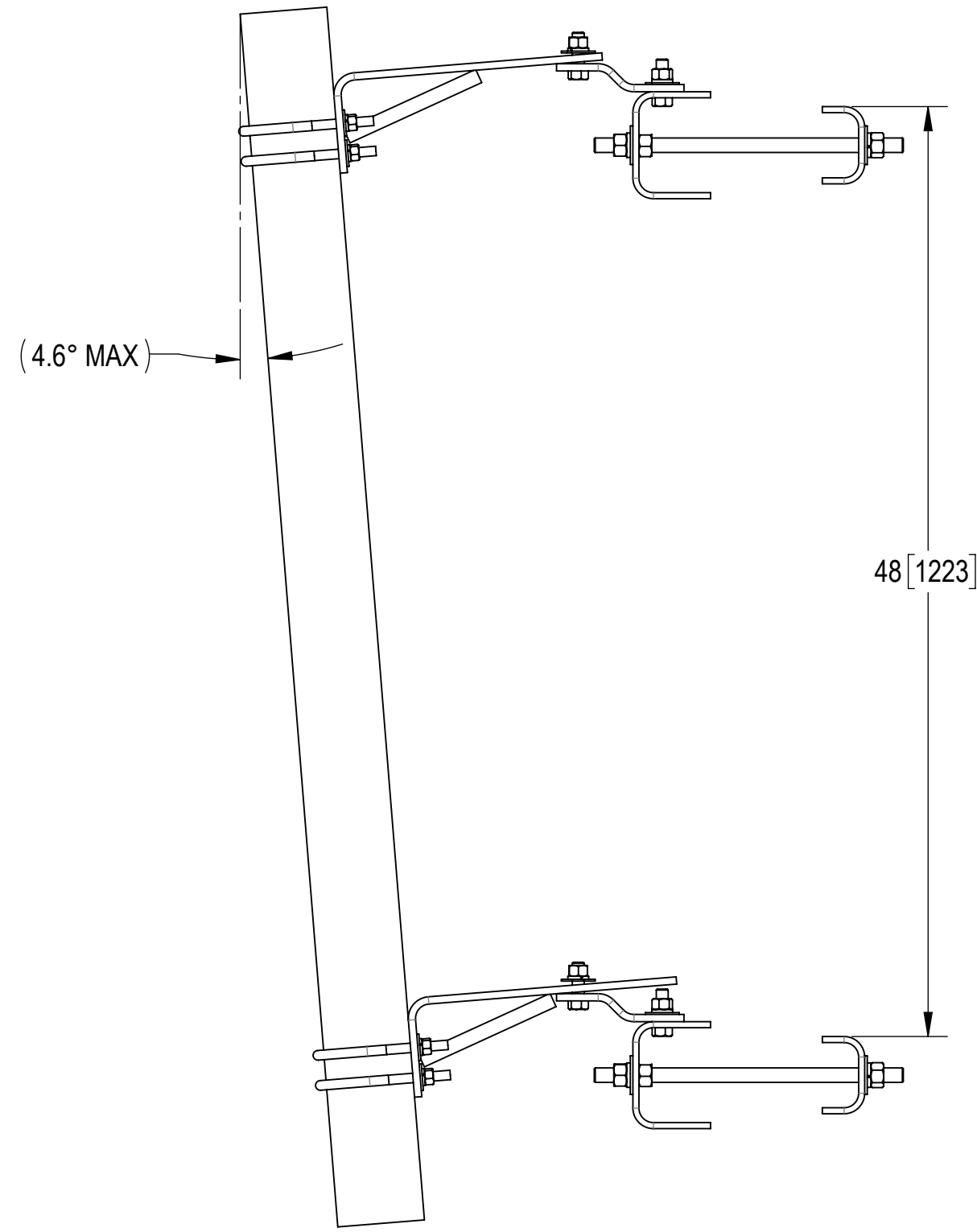


COMPONENT PART NUMBERS PROVIDED FOR ASSEMBLY PURPOSES;
INDIVIDUAL COMPONENTS MAY BE SHIPPED AS PARTS WITHIN AN INCLUDED KIT.

ITEM	PART NO.	DESCRIPTION	QTY.	WEIGHT	NOTE NO.
1	PMSL01	S-BRACKET	2	4.30 LBS	
2	PMSL05	14" L-BRACKET	2	13.44 LBS	
3	GB-0520A	5/8" X 2" GALV BOLT KIT (A325)	8	0.26 LBS	
4	GWF-05	5/8" GALV FLAT WASHER, 1.7OD	8	0.06 LBS	
5	SMU208004	MOUNT	2	12.15 LBS	
6	SMU208006	CLAMP PLATE	2	6.96 LBS	
7	MT38416	THREADED ROD GALV 3/4" X 16"	4	1.99 LBS	
8	GWF-06	3/4" GALV FLAT WASHER	8	0.10 LBS	
9	GWL-06	3/4" GALV LOCK WASHER	8	0.04 LBS	
10	GN-06	3/4" GALV HEX NUT	12	0.15 LBS	
11	GUB-4456	1/2" X 4-5/8" X 6-1/2" GALV U-BOLT	4	0.90 LBS	
12	MT-653	4.5" O.D. X 48" PIPE	1	34.76 LBS	

COMMSCOPE, INC. OF NORTH CAROLINA				
TITLE UNIVERSAL SLIDING PIPE MOUNT, 14" LONG				
SIZE C	SCALE 1:12	DOCUMENT NO. PM-SUL SERIES		
DRAWING		REVISION		SHEET
VERSION 01	STATUS RE	REVISION E	9 OF 12	

COMPONENTS FOR INSTALLATION
PM-SU4L-63 SHOWN ON THIS PAGE

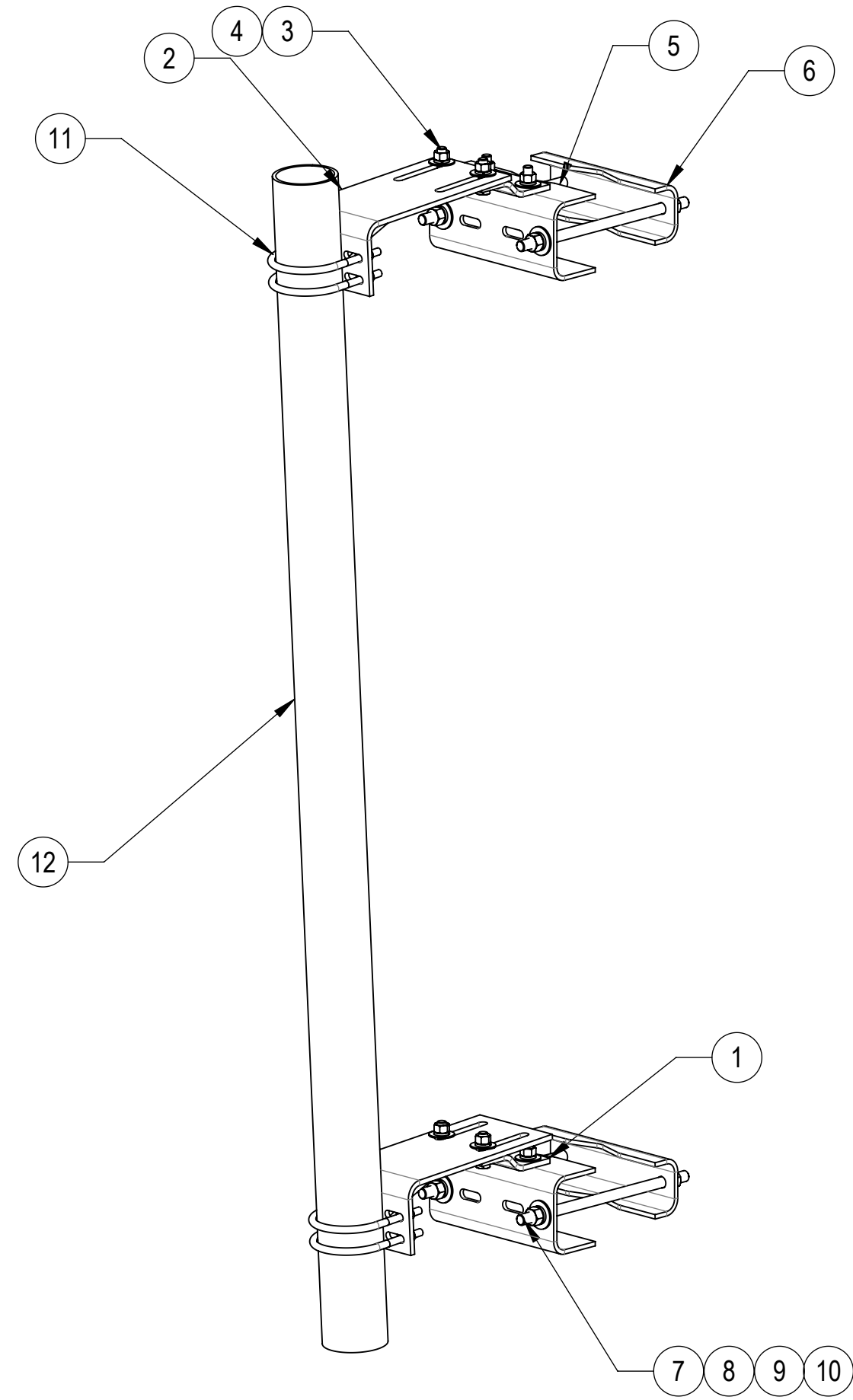
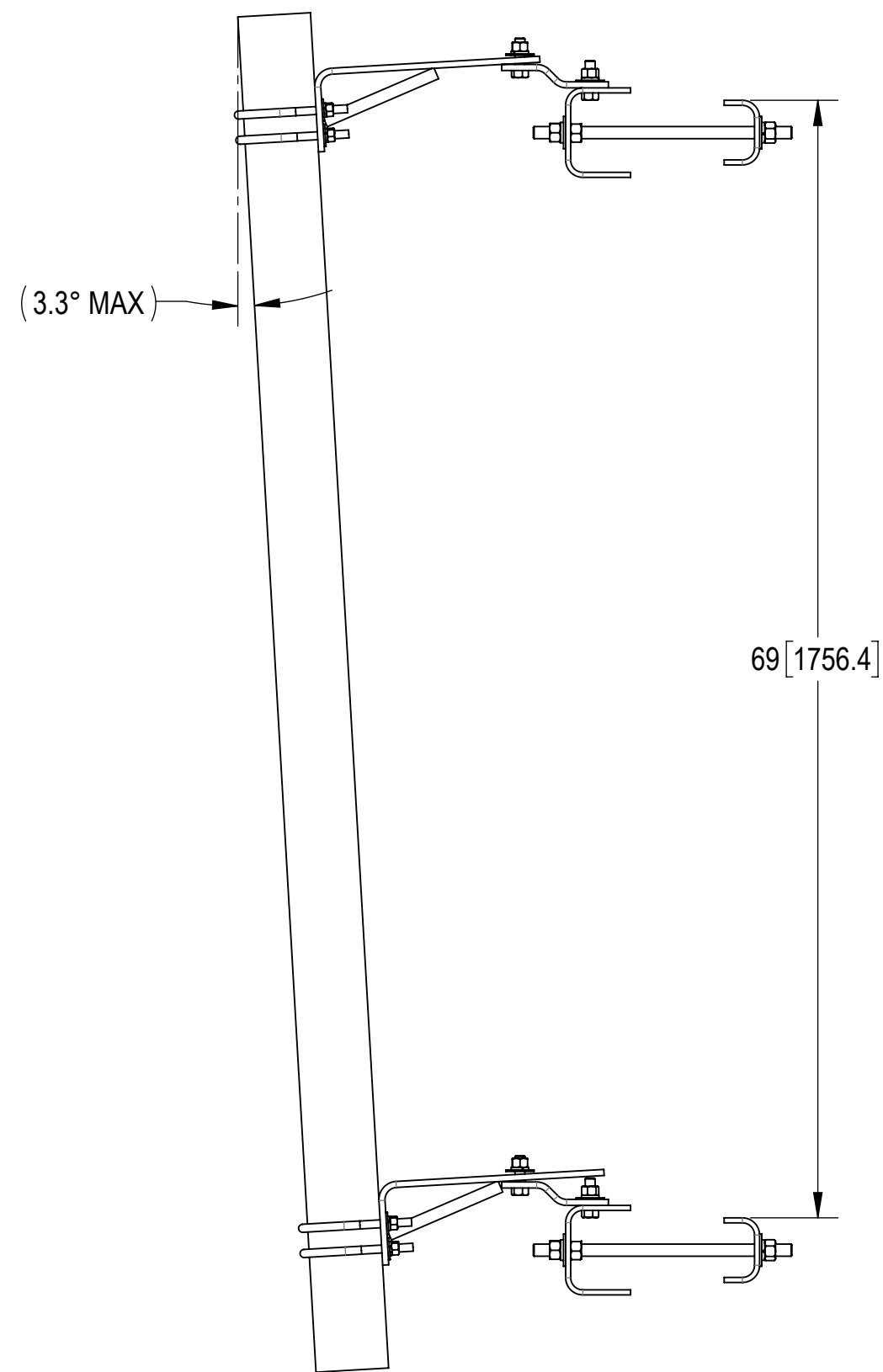


COMPONENT PART NUMBERS PROVIDED FOR ASSEMBLY PURPOSES;
INDIVIDUAL COMPONENTS MAY BE SHIPPED AS PARTS WITHIN AN INCLUDED KIT.

ITEM	PART NO.	DESCRIPTION	QTY.	WEIGHT	NOTE NO.
1	PMSL01	S-BRACKET	2	4.30 LBS	
2	PMSL05	14" L-BRACKET	2	13.44 LBS	
3	GB-0520A	5/8" X 2" GALV BOLT KIT (A325)	8	0.26 LBS	
4	GWF-05	5/8" GALV FLAT WASHER, 1.7OD	8	0.06 LBS	
5	SMU208004	MOUNT	2	12.15 LBS	
6	SMU208006	CLAMP PLATE	2	6.96 LBS	
7	MT38416	THREADED ROD GALV 3/4" X 16"	4	1.99 LBS	
8	GWF-06	3/4" GALV FLAT WASHER	8	0.10 LBS	
9	GWL-06	3/4" GALV LOCK WASHER	8	0.04 LBS	
10	GN-06	3/4" GALV HEX NUT	12	0.15 LBS	
11	GUB-4456	1/2" X 4-5/8" X 6-1/2" GALV U-BOLT	4	0.90 LBS	
12	MT-653-63	4.5" O.D. X 63" PIPE	1	57.02 LBS	

COMMSCOPE, INC. OF NORTH CAROLINA				
TITLE UNIVERSAL SLIDING PIPE MOUNT, 14" LONG				
SIZE C	SCALE 1:12	DOCUMENT NO. PM-SUL SERIES		
DRAWING		REVISION		SHEET
VERSION 01	STATUS RE	REVISION E	10 OF 12	

COMPONENTS FOR INSTALLATION
PM-SU4L-84 SHOWN ON THIS PAGE

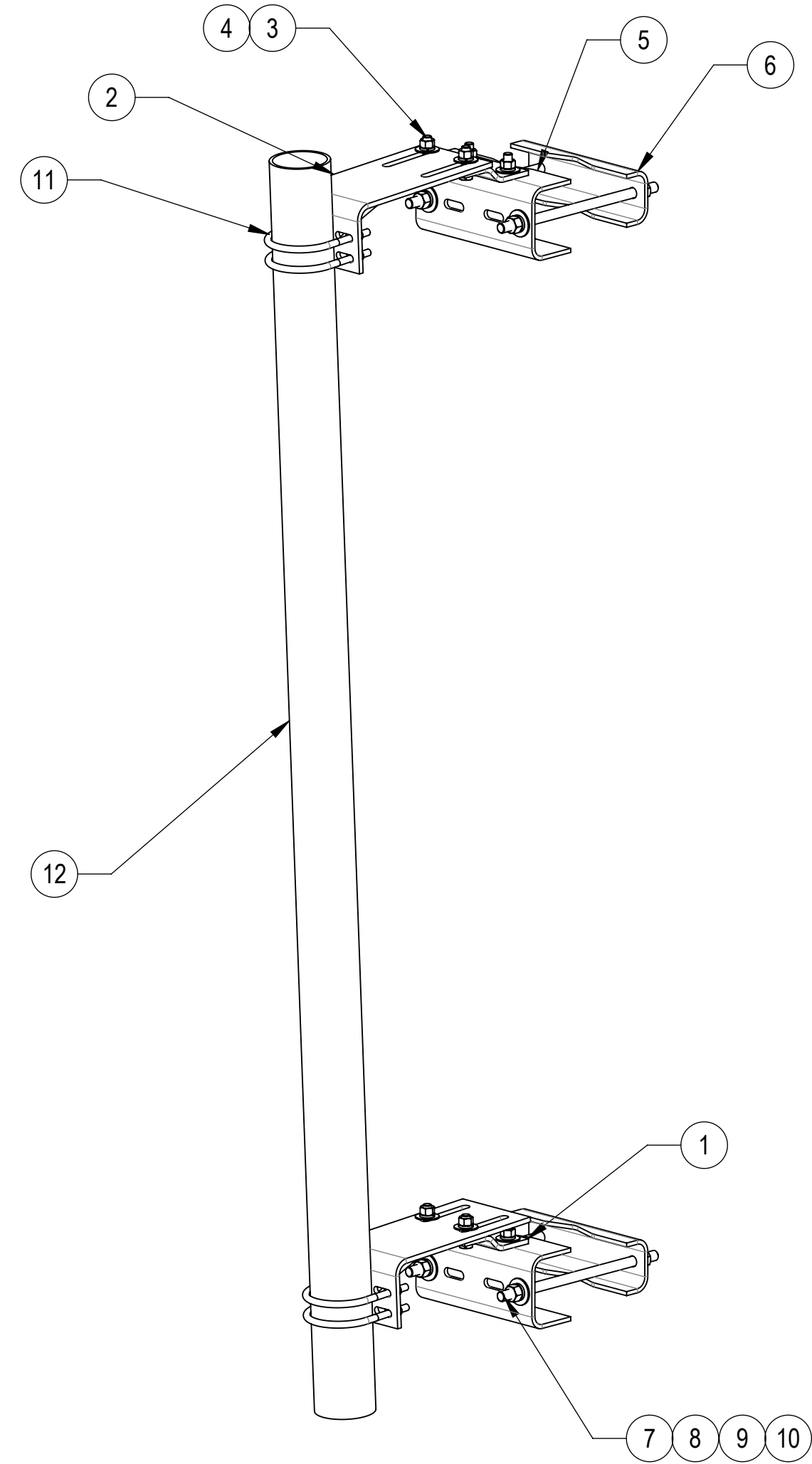
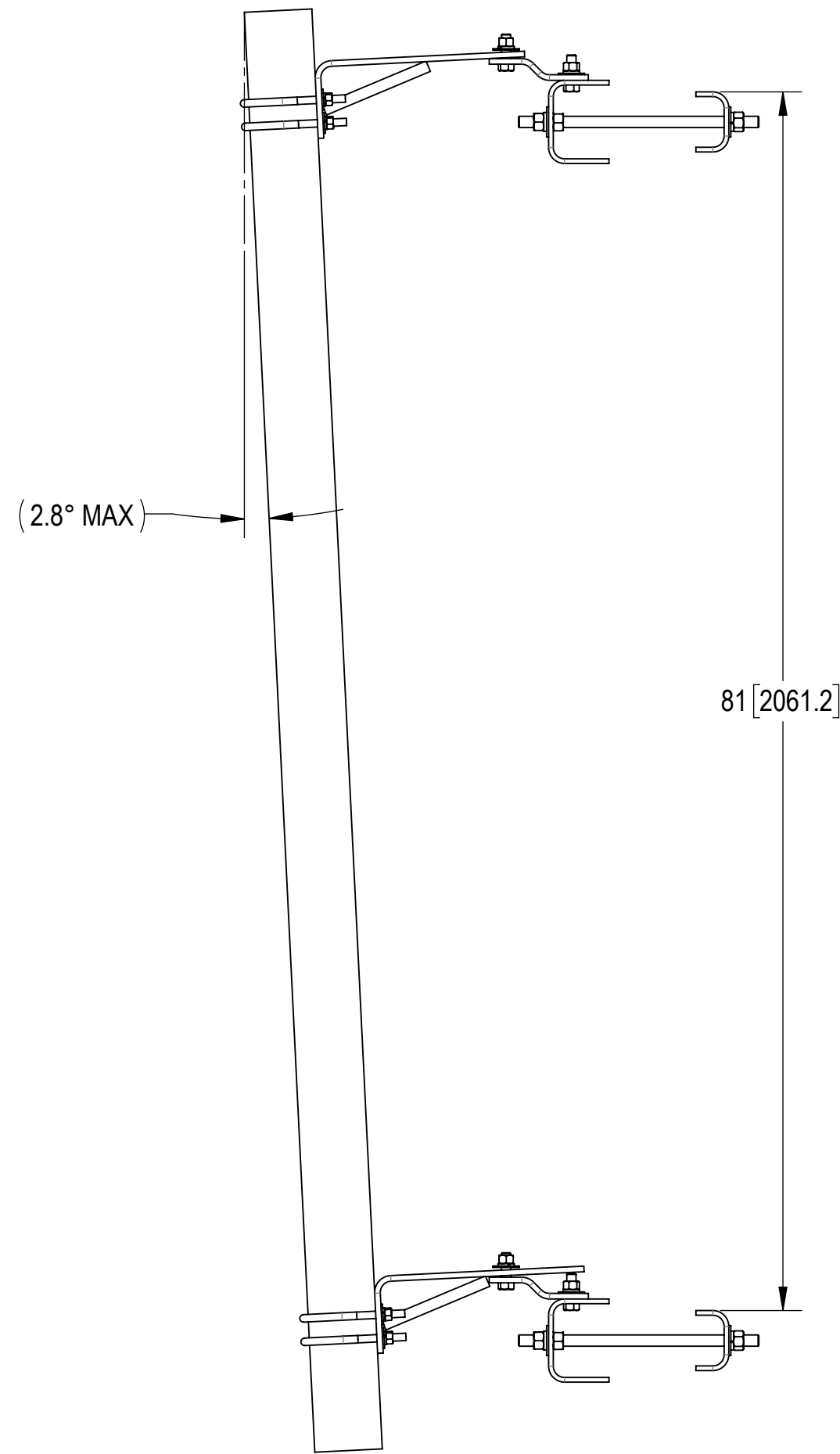


COMPONENT PART NUMBERS PROVIDED FOR ASSEMBLY PURPOSES;
INDIVIDUAL COMPONENTS MAY BE SHIPPED AS PARTS WITHIN AN INCLUDED KIT.

ITEM	PART NO.	DESCRIPTION	QTY.	WEIGHT	NOTE NO.
1	PMSL01	S-BRACKET	2	4.30 LBS	
2	PMSL05	14" L-BRACKET	2	13.44 LBS	
3	GB-0520A	5/8" X 2" GALV BOLT KIT (A325)	8	0.26 LBS	
4	GWF-05	5/8" GALV FLAT WASHER, 1.7OD	8	0.06 LBS	
5	SMU208004	MOUNT	2	12.15 LBS	
6	SMU208006	CLAMP PLATE	2	6.96 LBS	
7	MT38416	THREADED ROD GALV 3/4" X 16"	4	1.99 LBS	
8	GWF-06	3/4" GALV FLAT WASHER	8	0.10 LBS	
9	GWL-06	3/4" GALV LOCK WASHER	8	0.04 LBS	
10	GN-06	3/4" GALV HEX NUT	12	0.15 LBS	
11	GUB-4456	1/2" X 4-5/8" X 6-1/2" GALV U-BOLT	4	0.90 LBS	
12	MT-654-84	4.5" O.D. X 84" PIPE	1	76.71 LBS	

COMMSCOPE, INC. OF NORTH CAROLINA				
TITLE UNIVERSAL SLIDING PIPE MOUNT, 14" LONG				
SIZE C	SCALE 1:12	DOCUMENT NO. PM-SUL SERIES		
DRAWING		REVISION		SHEET
VERSION 01	STATUS RE	REVISION E	11 OF 12	

COMPONENTS FOR INSTALLATION
PM-SU4L-96 SHOWN ON THIS PAGE



COMPONENT PART NUMBERS PROVIDED FOR ASSEMBLY PURPOSES;
INDIVIDUAL COMPONENTS MAY BE SHIPPED AS PARTS WITHIN AN INCLUDED KIT.

ITEM	PART NO.	DESCRIPTION	QTY.	WEIGHT	NOTE NO.
1	PMSL01	S-BRACKET	2	4.30 LBS	
2	PMSL05	14" L-BRACKET	2	13.44 LBS	
3	GB-0520A	5/8" X 2" GALV BOLT KIT (A325)	8	0.26 LBS	
4	GWF-05	5/8" GALV FLAT WASHER, 1.7OD	8	0.06 LBS	
5	SMU208004	MOUNT	2	12.15 LBS	
6	SMU208006	CLAMP PLATE	2	6.96 LBS	
7	MT38416	THREADED ROD GALV 3/4" X 16"	4	1.99 LBS	
8	GWF-06	3/4" GALV FLAT WASHER	8	0.10 LBS	
9	GWL-06	3/4" GALV LOCK WASHER	8	0.04 LBS	
10	GN-06	3/4" GALV HEX NUT	12	0.15 LBS	
11	GUB-4456	1/2" X 4-5/8" X 6-1/2" GALV U-BOLT	4	0.90 LBS	
12	MT-654-96	4.5" O.D. X 96" PIPE	1	87.67 LBS	

COMMSCOPE, INC. OF NORTH CAROLINA				
TITLE UNIVERSAL SLIDING PIPE MOUNT, 14" LONG				
SIZE C	SCALE 1:12	DOCUMENT NO. PM-SUL SERIES		
DRAWING		VERSION	STATUS	REVISION
		01	RE	E
				SHEET 12 OF 12