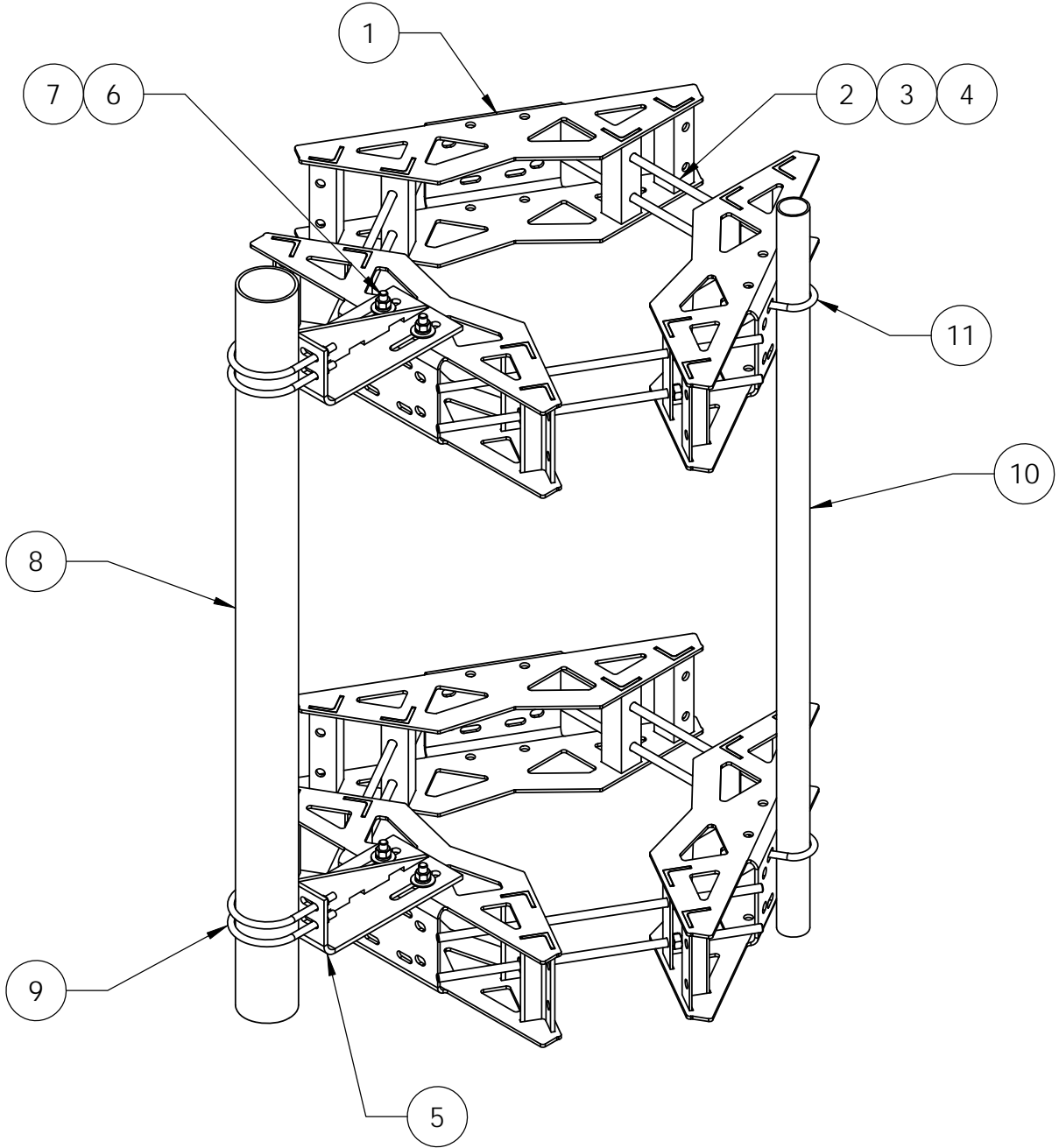
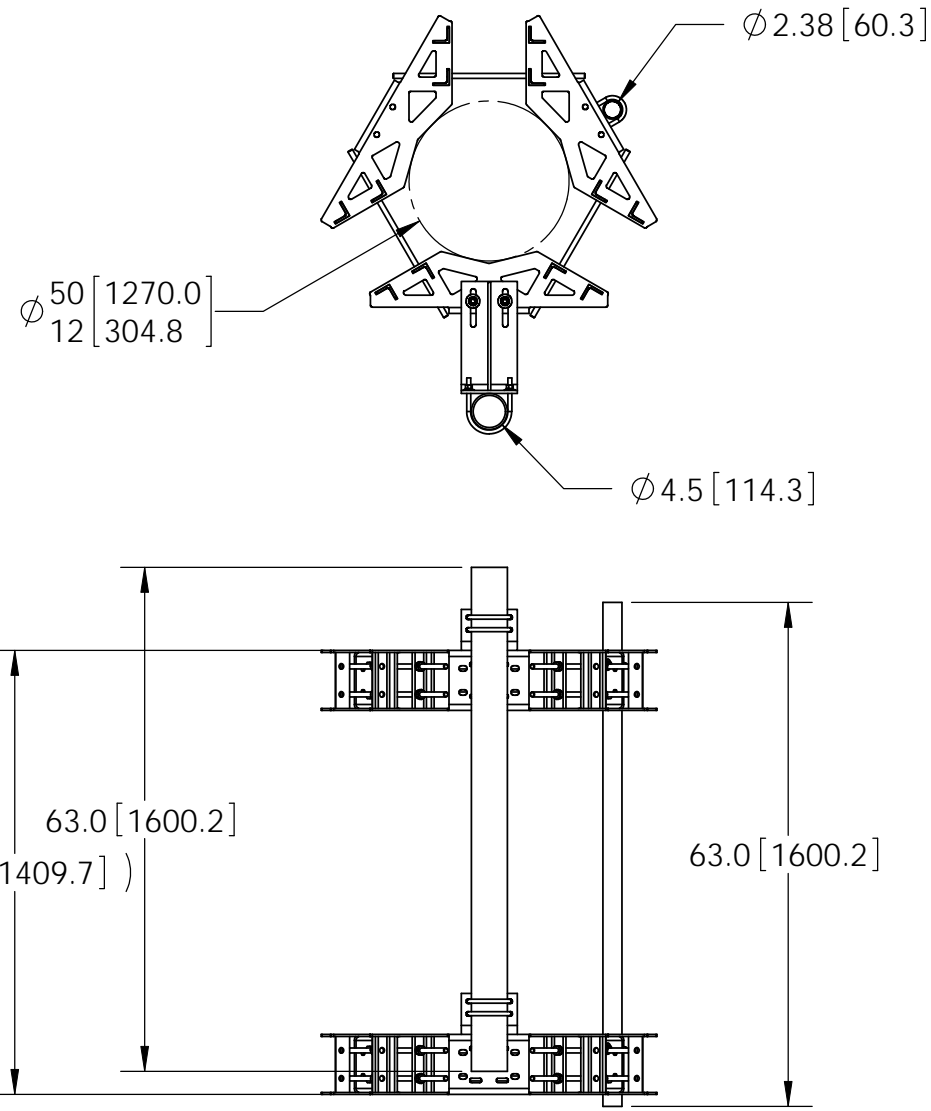


ITEM	PART NO.	DESCRIPTION	QTY.	WEIGHT
1	MTC328601	10-50 RRU Mount Weldment	6	29.99 LBS
2	MT-382-24	5/8" X 24" GALV THREADED ROD	12	2.07 LBS
3	GWL-05	5/8" GALV LOCK WASHER	24	0.03 LBS
4	GN05A	5/8" GALV HEX NUT (A194 2H)	24	0.12 LBS
5	MTC315902	14" L-Bracket	2	15.46 LBS
6	GB-0520A	5/8" X 2" GALV BOLT KIT (A325)	4	0.27 LBS
7	GWF-05	5/8" GALV FLAT WASHER	4	0.03 LBS
8	MT-653-63	4.5" O.D. PLAIN END PIPE	1	56.35 LBS
9	GUB-4456	1/2" X 4-5/8" X 6-1/2" GALV U-BOLT	4	0.91 LBS
10	MT-650-63	Ø 2.375" OD x 63" PIPE	1	19.08 LBS
11	GUB-4240	1/2" X 2-1/2" X 4" GALV U-BOLT	2	0.56 LBS
12	MT38240	5/8" X 40" GALV THREADED ROD	12	3.46 LBS

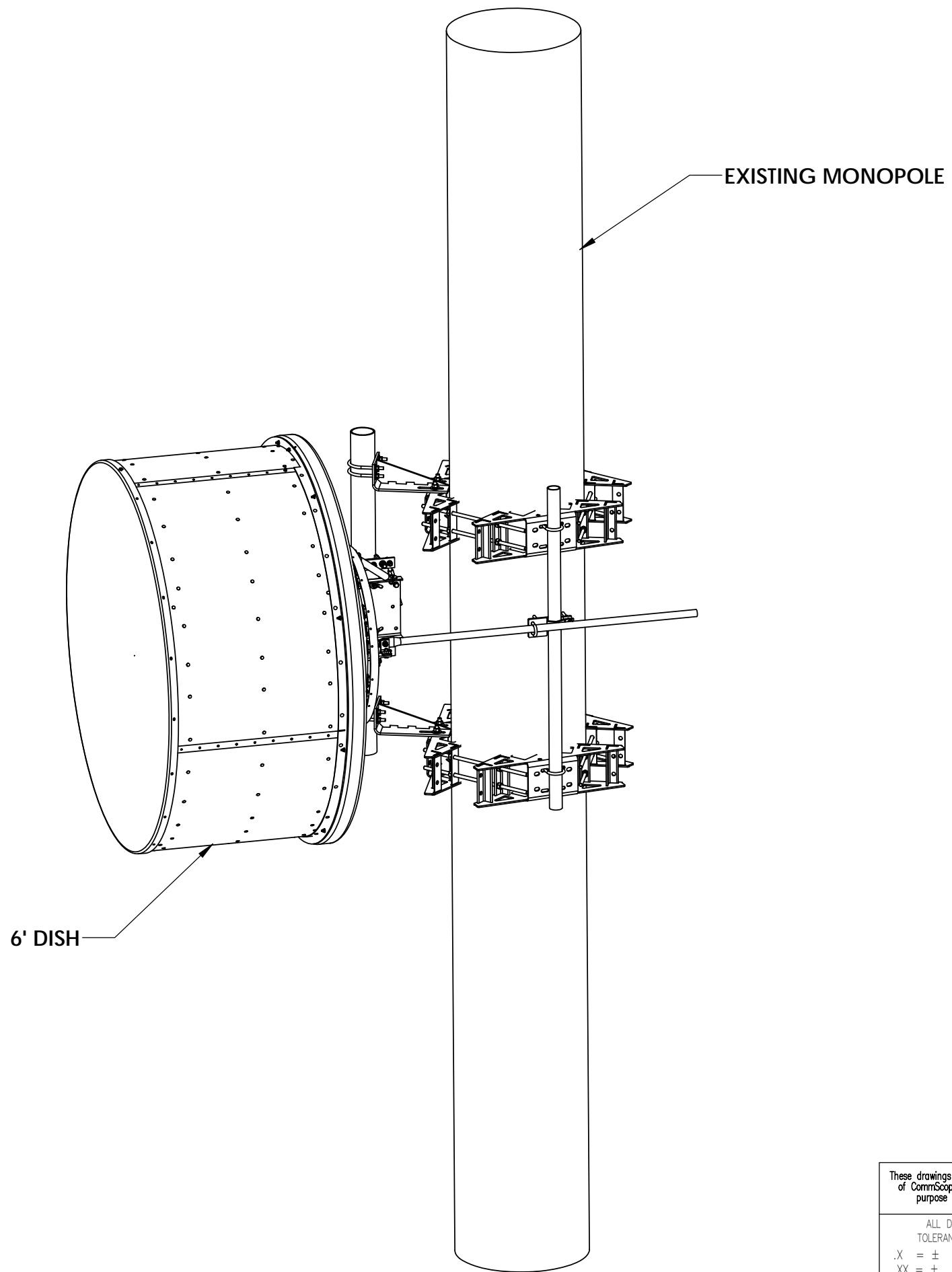
NOT SHOWN

REVISIONS				
REV.	ZONE	DESCRIPTION	BY	DATE
A		INITIAL RELEASE	MSM	10/19/212



- NOTES:
1. ALL METRIC DIMENSIONS ARE IN BRACKETS.
 2. FITS MONOPOLES 12"-50" OD.
 3. MT38240 USED FOR 30"-50" POLE ODs.

<p>These drawings and specifications are the proprietary property of CommScope Inc. and may be used only for the specific purpose authorized in writing by CommScope Inc.</p> <p>ALL DIMENSIONS ARE IN INCHES U.O.S. TOLERANCES UNLESS OTHERWISE SPECIFIED: .X = ± .12 ANGLES ±2° .XX = ± .06 FRACTIONS ±1/32 .XXX = ± .03</p> <p>REMOVE BURRS AND BREAK EDGES .005</p> <p>DO NOT SCALE THIS PRINT</p>	<p>DRAWN BY: MSM</p> <p>CHECKED BY: TP</p> <p>DATE: 10/19/12</p> <p>REVISION: A</p>	<p>SHEET: 1 of 2</p> <p>SCALE: NTS</p> <p>MATERIAL: A36, A500</p> <p>FINISH: GALV A123</p> <p>WEIGHT: 363.62 LBS</p>	<p>PART NUMBER: RM-DM-6</p> <p>DESCRIPTION: 6' Microwave 12"-50" Monopole Mount</p> <p>DRAWING TYPE: ASSEMBLY DRAWING</p> <p>COMMSCOPE® Hickory, NC 28602 U.S.A.</p>
--	---	--	---



These drawings and specifications are the proprietary property of CommScope Inc. and may be used only for the specific purpose authorized in writing by CommScope Inc.

ALL DIMENSIONS ARE IN INCHES U.O.S.
 TOLERANCES UNLESS OTHERWISE SPECIFIED:
 .X = ± .12 ANGLES ±2°
 .XX = ± .06 FRACTIONS ±1/32
 .XXX = ± .03

REMOVE BURRS AND BREAK EDGES .005

DO NOT SCALE THIS PRINT

DRAWN BY: MSM	SHEET: 2 of 2
CHECKED BY: TP	SCALE: NTS
DATE: 10/19/12	MATERIAL: A36, A500
REVISION: A	FINISH: GALV A123
	WEIGHT: 363.62 LBS

PART NUMBER: RM-DM-6
DESCRIPTION: 6' Microwave 12"-50" Monopole Mount
DRAWING TYPE: ASSEMBLY DRAWING
COMMSCOPE® Hickory, NC 28602 U.S.A.