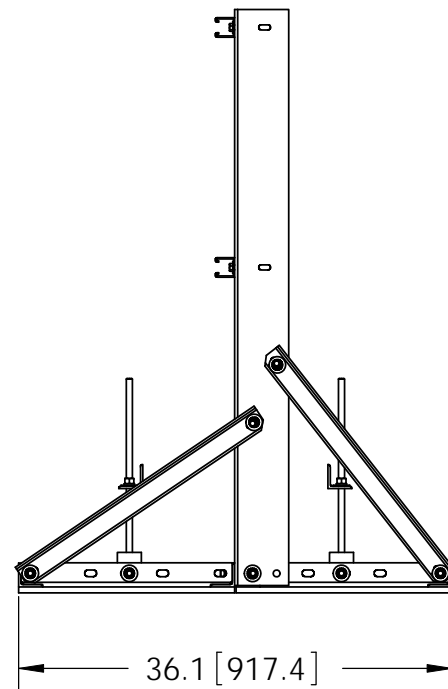
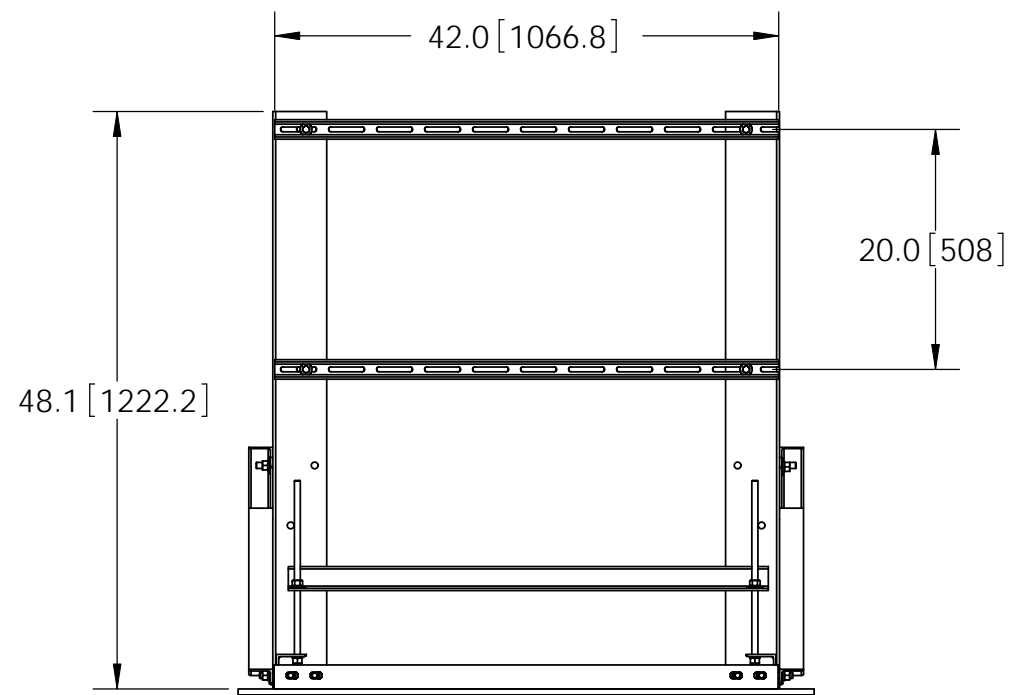
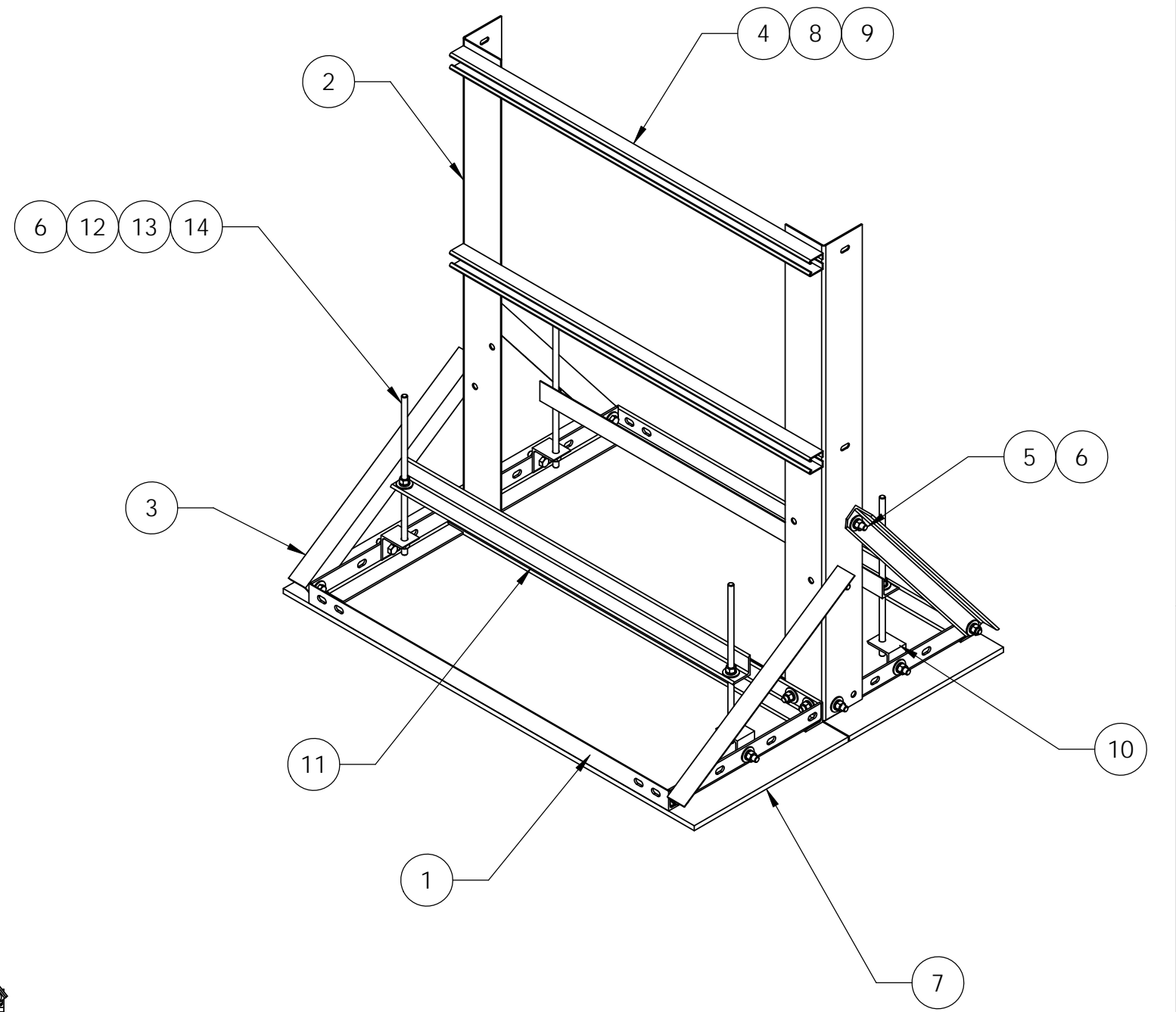


ITEM	PART NO.	DESCRIPTION	QTY.	WEIGHT
1	MT416.10	WELDMNT BALLAST SLED FRAME	2	22.40 LBS
2	MTC329420	VERTICAL ANGLE	2	13.93 LBS
3	MTC329421	BRACE ANGLE	4	4.71 LBS
4	MTC329414	1 5/8" UNISTRUT	2	6.25 LBS
5	GB-04145	1/2" X 1-1/2" GALV BOLT KIT	18	0.13 LBS
6	GWF-04	1/2" GALV FLAT WASHER	28	0.06 LBS
7	MT-F1637	RUBBER MAT .5" X 18" X 48"	2	15.61 LBS
8	GWF-03	3/8" GALV FLAT WASHER	8	0.01 LBS
9	GB-03145	3/8" X 1-1/2" GALV BOLT KIT	4	0.07 LBS
10	MTC8326.01	CLIP ANGLE	4	0.478 LBS
11	MTC329422	BRACE ANGLE	2	7.92 LBS
12	GWL-04	1/2" GALV LOCK WASHER	8	0.09 LBS
13	GN-04	1/2" GALV HEX NUT	8	0.04 LBS
14	MT-379-16	1/2" X 16" GALV THREADED ROD	4	0.88 LBS

REVISIONS				
REV.	ZONE	DESCRIPTION	BY	DATE
A		INITIAL RELEASE	DRR	08/19/11
B		REMOVED CONCRETE BLOCKS FROM DRAWING	DRR	12/13/11



NOTES:  
1. ALL METRIC DIMENSIONS ARE IN BRACKETS.

<p>These drawings and specifications are the proprietary property of CommScope Inc. and may be used only for the specific purpose authorized in writing by CommScope Inc.</p> <p>ALL DIMENSIONS ARE IN INCHES U.O.S. TOLERANCES UNLESS OTHERWISE SPECIFIED: .X = ± .12 ANGLES ±2° .XX = ± .06 FRACTIONS ±1/32 .XXX = ± .031</p> <p>REMOVE BURRS AND BREAK EDGES .005</p> <p>DO NOT SCALE THIS PRINT</p>	DRAWN BY: DRR	SHEET: 1 of 1	PART NUMBER: RR-TFS
	CHECKED BY: TP	SCALE: NTS	DESCRIPTION: FREESTANDING RRU MOUNT
	DATE: 08/19/11	MATERIAL: A36, A529	DRAWING TYPE: ASSEMBLY DRAWING
	REVISION: B	FINISH: GALV A123	WEIGHT: 161.77 LBS