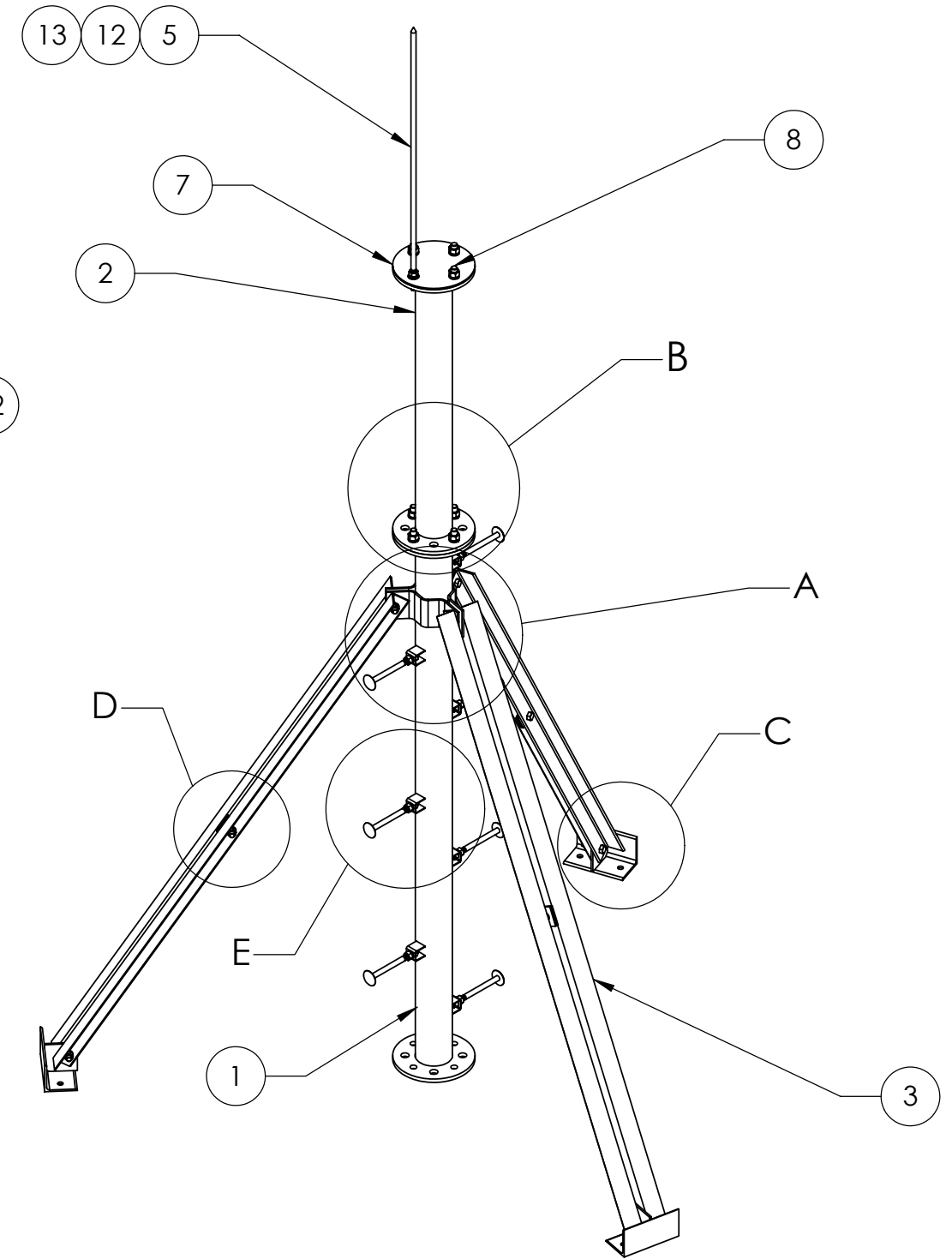
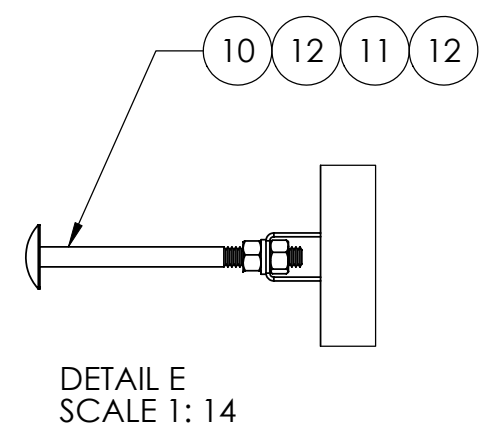
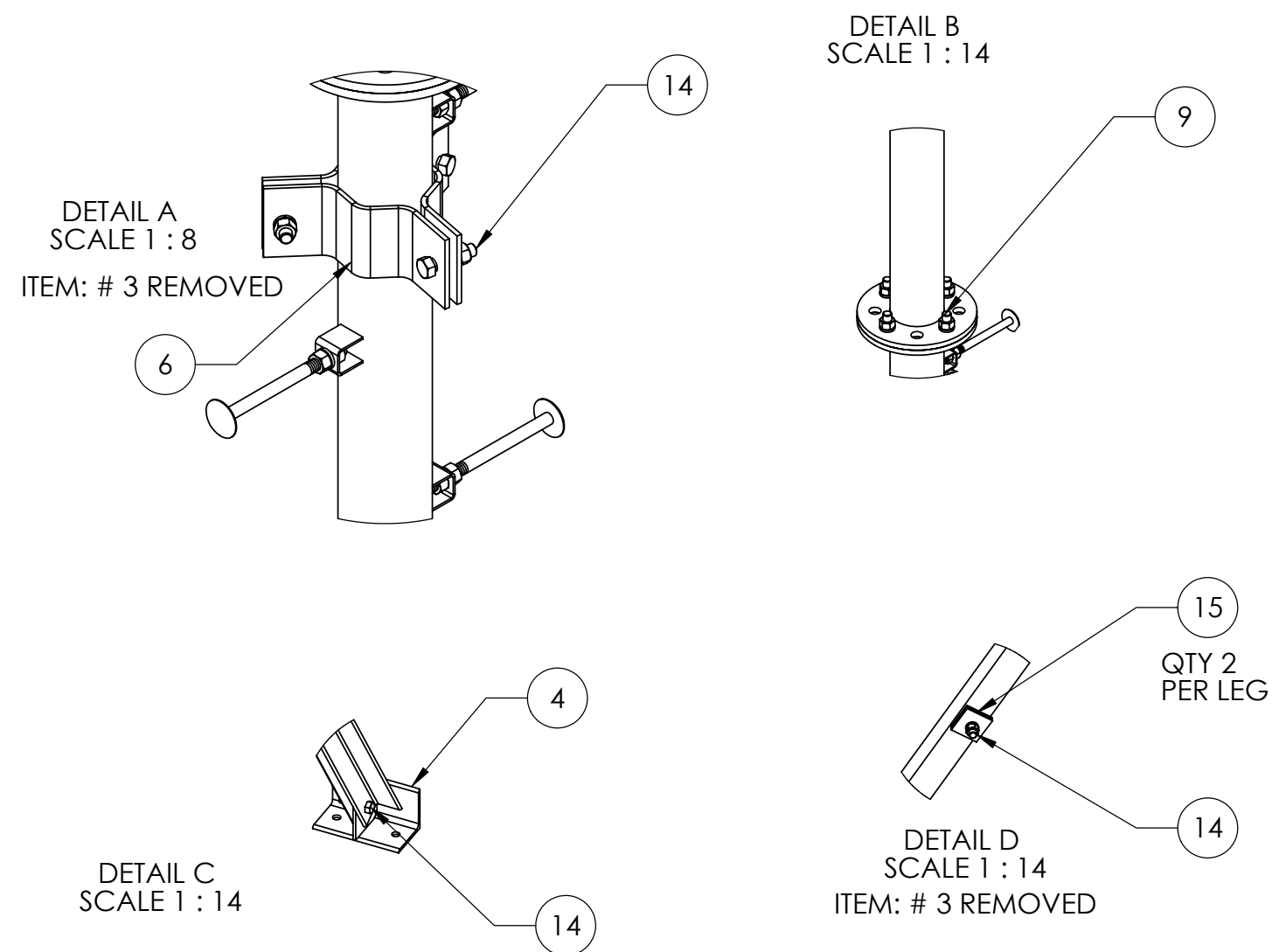



ITEM	PART NO.	DESCRIPTION	QTY.	WEIGHT
1	MTC9962B201	Pole Weldment 2M	1	87.33 LBS
2	MTC9962T101	Pole Weldment 1M T1	1	50.94 LBS
3	MTC996217	Angle Brace	6	19.86 LBS
4	MTC996203	Support Foot	3	5.42 LBS
5	MTC57501M01	1Meter LIGHTNING ROD	1	3.34 LBS
6	TPG412B.02	4-1/2" TRIPOD CLAMP	3	3.05 LBS
7	RT-MPT-C	Cap	1	4.04 LBS
8	GB-06205	3/4" X 2" GALV BOLT KIT	3	1.12 LBS
9	GB-06245	3/4" X 2-1/2" GALV BOLT KIT	4	1.12 LBS
10	MT750	STEP BOLT	7	0.88 LBS
11	GWL-05	5/8" GALV LOCK WASHER	8	0.01 LBS
12	GN-05	5/8" GALV HEX NUT	16	0.04 LBS
13	GWF-05	5/8" GALV FLAT WASHER	2	0.02 LBS
14	GB-05245	5/8" X 2-1/2" GALV BOLT KIT	9	1.12 LBS
15	SW-58	BACKING PLATE, .188" X 2.5" X 2.5" W/ 11/16" HOLE	6	0.31 LBS

REVISIONS				
REV.	ZONE	DESCRIPTION	BY	DATE
A		INITIAL RELEASE	OGG	04/03/10
B		REPLACE ANGLE BRACE	OGG	04/23/10



NOTES:  
1. ALL METRIC DIMENSIONS ARE IN BRACKETS.

These drawings and specifications are the proprietary property of ANDREW CORPORATION and may be used only for the specific purpose authorized in writing by Andrew Corporation.  ALL DIMENSIONS ARE IN INCHES U.O.S. TOLERANCES UNLESS OTHERWISE SPECIFIED: .X = ± .12      ANGLES      ±2° .XX = ± .06      FRACTIONS      ±1/32 .XXX = ± .03  REMOVE BURRS AND BREAK EDGES .005  DO NOT SCALE THIS PRINT	DRAWN BY: OGG	SHEET: 1 of 1	PART NUMBER: RT-MPT-3
	CHECKED BY: TP	SCALE: NTS	DESCRIPTION: Modular Roof Top Pole
	DATE: 04/03/10	MATERIAL: A53, A36, A529	DRAWING TYPE: ASSEMBLY DRAWING
	REVISION: B	FINISH: GALV A123	 WESTCHESTER, IL. 60154 U.S.A.
		WEIGHT: 308.01 LBS	