

SF-HPM-B

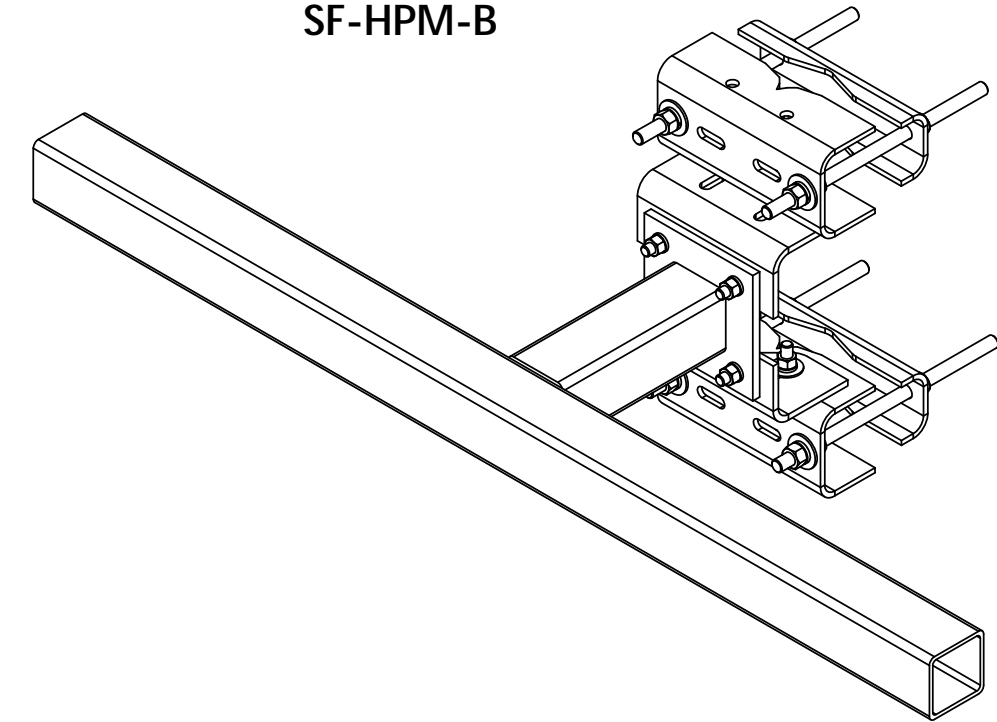
REVISIONS				
REV.	ZONE	DESCRIPTION	BY	DATE
A		INITIAL RELEASE	DRR	11/16/11

PART NO.	DESCRIPTION	QTY	WEIGHT
SM-U2080	UNIVERSAL SADDLE MOUNT	1	50.00 LBS
MTC3065TW01	ANGLE ADAPTER BRACKET TOP	1	7.24 LBS
MTC3065TW02	ANGLE ADAPTER BRACKET BOTTOM	1	7.48 LBS
MTC306501	Monopole Colocation Dual Pipe Mount Base Kit	1	71.89 LBS
GB-0520A	5/8" X 2" GALV BOLT KIT (A325)	8	0.27 LBS
GWFO5A	5/8" GALV FLAT WASHER (A325)	8	0.03 LBS

∅ 2-7/8" OD PIPE TABLE

PART NO.	DESCRIPTION					WEIGHT
		MTC3055PM3	MT54672	MT54696	MT-546-126	
SF-HPM3-B	Lattice Twr Colocation Dual Pipe Mount, 2-7/8" OD Pipe	2	-	-	-	183.10LBS
SF-HPM3-72	Lattice Twr Colocation Dual Pipe Mount, 2-7/8" OD x 72" Pipe	2	2	-	-	252.25LBS
SF-HPM3-96	Lattice Twr Colocation Dual Pipe Mount, 2-7/8" OD x 96" Pipe	2	-	2	-	276.12LBS
SF-HPM3-126	Lattice Twr Colocation Dual Pipe Mount, 2-7/8" OD x 126" Pipe	2	-	-	2	304.11LBS


SF-HPM-B



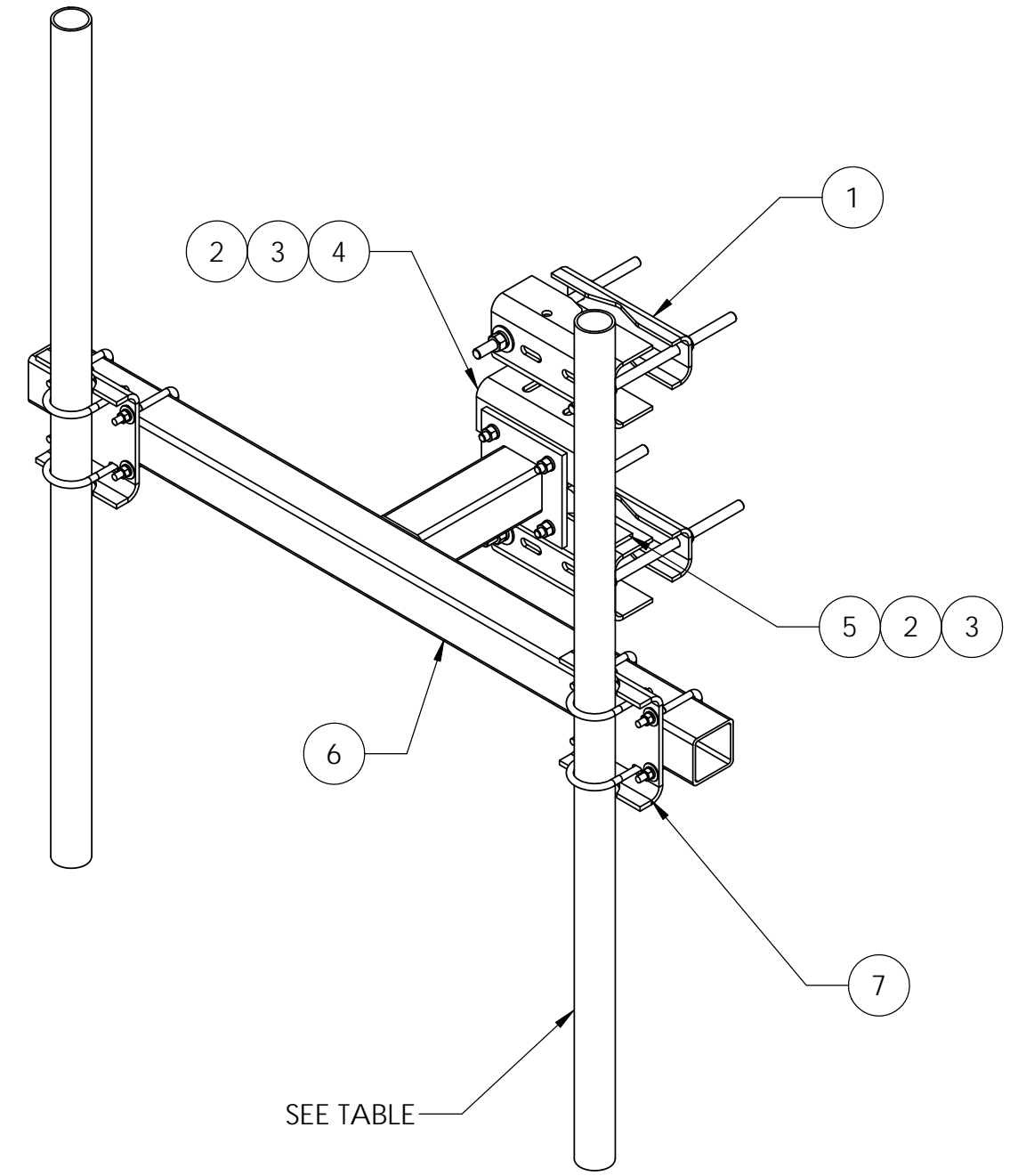
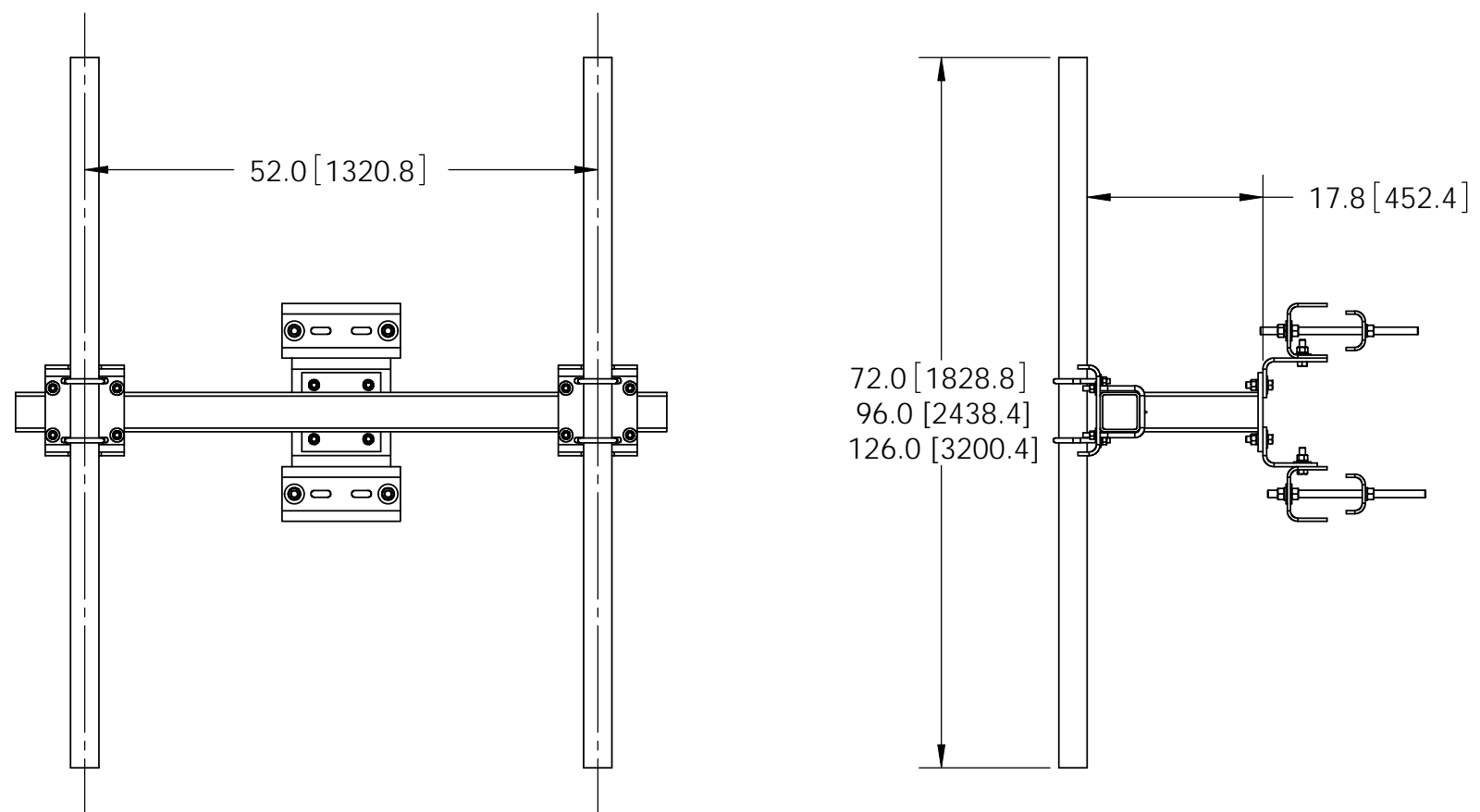
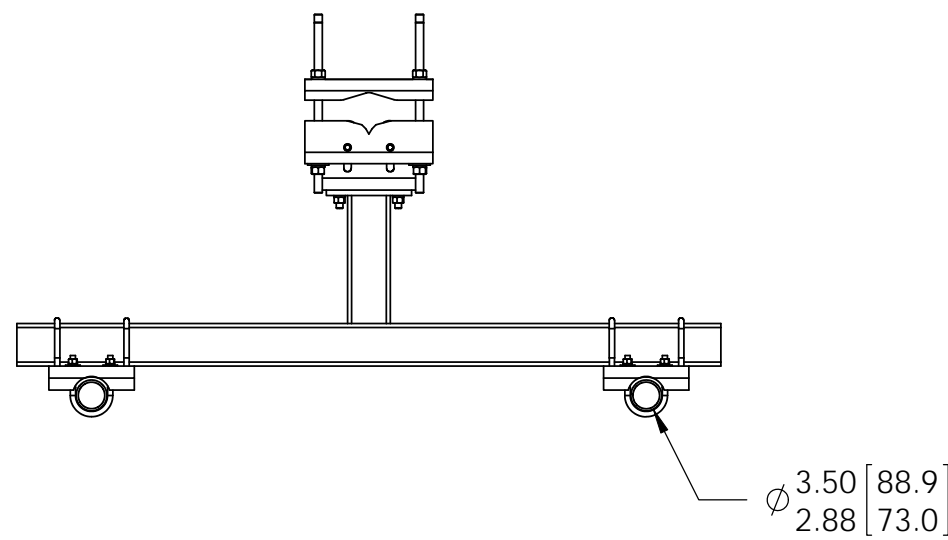
∅ 3-1/2" OD PIPE TABLE

PART NO.	DESCRIPTION					WEIGHT
		MTC3055PM35	MT54772	MT54796	MT-547-126	
SF-HPM35-B	Lattice Twr Colocation Dual Pipe Mount, 3-1/2" OD Pipe	2	-	-	-	183.96LBS
SF-HPM35-72	Lattice Twr Colocation Dual Pipe Mount, 3-1/2" OD x 72" Pipe	2	2	-	-	274.39LBS
SF-HPM35-96	Lattice Twr Colocation Dual Pipe Mount, 3-1/2" OD x 96" Pipe	2	-	2	-	305.61LBS
SF-HPM35-126	Lattice Twr Colocation Dual Pipe Mount, 3-1/2" OD x 126" Pipe	2	-	-	2	346.39LBS


NOTES:
1. ALL METRIC DIMENSIONS ARE IN BRACKETS.

<small>These drawings and specifications are the proprietary property of ANDREW CORPORATION and may be used only for the specific purpose authorized in writing by Andrew Corporation.</small> ALL DIMENSIONS ARE IN INCHES U.O.S. TOLERANCES UNLESS OTHERWISE SPECIFIED: .X = ± .12 ANGLES ±2° .XX = ± .06 FRACTIONS ±1/32 .XXX = ± .031 REMOVE BURRS AND BREAK EDGES .005 DO NOT SCALE THIS PRINT	DRAWN BY: DRR	SHEET: 1 of 2	PART NUMBER: SF-HPM SERIES
	CHECKED BY: TP	SCALE: NTS	DESCRIPTION: HEAVY DUTY SQ T-ARM SERIES
	DATE: 11/16/11	MATERIAL: A36, A53, A500	DRAWING TYPE: ASSEMBLY DRAWING
	REVISION: A	FINISH: GALV A123	 WESTCHESTER, IL. 60154 U.S.A.
	WEIGHT: SEE TABLE		

ITEM	PART NO.	DESCRIPTION	QTY.	WEIGHT
1	SM-U2080	Universal Saddle Mount	1	50.00 LBS
2	GB-0522A	5/8" X 2-1/4" GALV BOLT KIT (A325)	8	0.29 LBS
3	GWF-05	5/8" GALV FLAT WASHER	8	0.06 LBS
4	MTC3065TW01	Tower Bracket for MTC3065TW	1	9.34 LBS
5	MTC3065TW02	Lower Tower Bracket for MTC3065TW	1	8.42 LBS
6	MTC306501	Square Tube T-Arm Weldment	1	89.73 LBS
7	MTC3055PMXX	Pipe Mount Bracket (SEE TABLE)	2	13.05 LBS



NOTES:
1. ALL METRIC DIMENSIONS ARE IN BRACKETS.

<p>These drawings and specifications are the proprietary property of CommScope Inc. and may be used only for the specific purpose authorized in writing by CommScope Inc.</p> <p>ALL DIMENSIONS ARE IN INCHES U.O.S. TOLERANCES UNLESS OTHERWISE SPECIFIED: .X = ± .12 ANGLES ±2° .XX = ± .06 FRACTIONS ±1/32 .XXX = ± .031</p> <p>REMOVE BURRS AND BREAK EDGES .005</p> <p>DO NOT SCALE THIS PRINT</p>	DRAWN BY: DRR	SHEET: 2 of 2	PART NUMBER: SF-HPM SERIES
	CHECKED BY: TP	SCALE: NTS	DESCRIPTION: HEAVY DUTY SQ T-ARM SERIES
	DATE: 11/16/11	MATERIAL: A36, A53, A500	DRAWING TYPE: ASSEMBLY DRAWING
	REVISION: A	FINISH: GALV A123	 WESTCHESTER, IL. 60154 U.S.A.
	WEIGHT: SEE TABLE		