

ITEM	PART NO.	DESCRIPTION	QTY.	WEIGHT	NOTE NO.
1	SFG23PK	SFG23 FRAME / HK	1	245.72 LBS	
2	SFG23xxSB	STEEL BUNDLE FOR SFG23 SERIES	1	-	
3	SFG234HK	HARDWARE KIT FOR SFG23 SERIES	1	203.20 LBS	

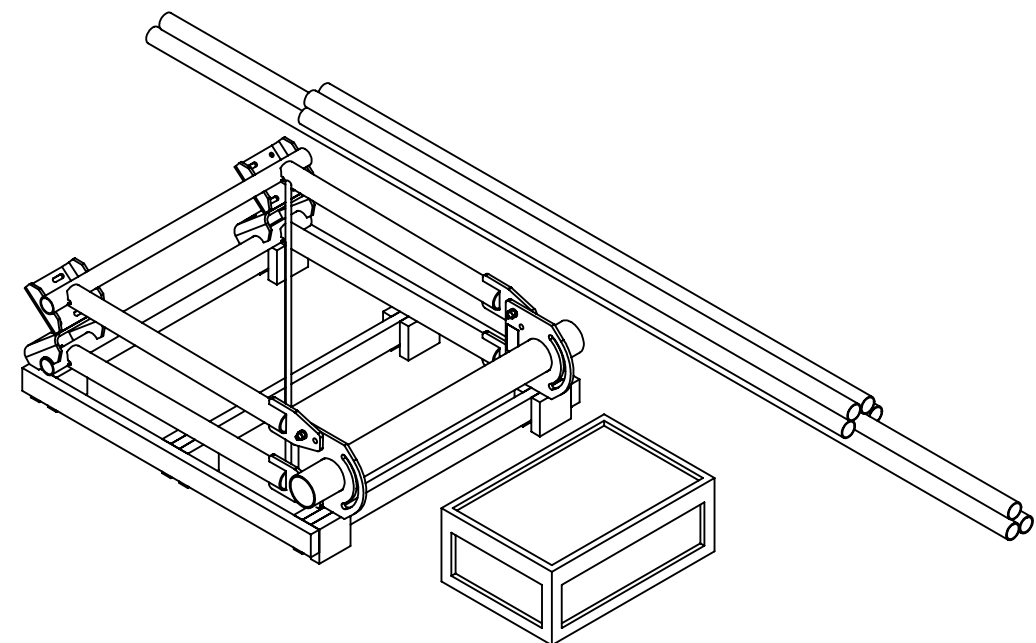


REVISIONS				
REV.	ECN	DESCRIPTION	BY	DATE
A	8000007122	INITIAL RELEASE	MSM	03/19/15
B	8000007442	ADD 6 ANTENNA VERSIONS TO TABLE	MSM	03/20/15
C	8000007959	UPDATE HARDWARE PER FIRST ARTICAL BUILD	MSM	04/30/15
D	8000008268	UPDATE BALLOONS, ADD DETAILS D & E	MSM	05/20/15
E	8000011978	REDESIGN OF SECTOR FRAME ARM WELDMENT	DRR	01/11/16
F	8000015327	SH6 ADD TIEBACK INFO; SH7 & 8 UPDATED INSTALL INSTR	RJC	7/27/2016
G	8000016253	ADDED DIAGONALS TO SUPPORT ARMS	DRR	12/20/16
H	8000020628	CHANGED HARDWARE KIT	DRR	03/01/17
J	8000024655	ADJUSTED WEIGHT OF SFG23PK AND ALL TOTALS	DRR	07/07/17

SFG23 SERIES TABLE



PART NO.	DESCRIPTION	PIPE BUNDLE	TOTAL WEIGHT
SFG23-10-4-96	SECTOR FRAME 10'-8" FACE, (4) 96" ANTENNA PIPE	SFG2310496SB	615 LBS
SFG23-10-4-126	SECTOR FRAME 10'-8" FACE, (4) 126" ANTENNA PIPE	SFG23104126SB	646 LBS
SFG23-12-4-96	SECTOR FRAME 12'-8" FACE, (4) 96" ANTENNA PIPE	SFG2312496SB	630 LBS
SFG23-12-4-126	SECTOR FRAME 12'-8" FACE, (4) 126" ANTENNA PIPE	SFG23124126SB	660 LBS
SFG23-14-4-96	SECTOR FRAME 14'-8" FACE, (4) 96" ANTENNA PIPE	SFG2314496SB	645 LBS
SFG23-14-4-126	SECTOR FRAME 14'-8" FACE, (4) 126" ANTENNA PIPE	SFG23144126SB	675 LBS
SFG23-10-3-96	SECTOR FRAME 10'-8" FACE, (3) 96" ANTENNA PIPE	SFG2310396SB	584 LBS
SFG23-10-3-126	SECTOR FRAME 10'-8" FACE, (3) 126" ANTENNA PIPE	SFG23103126SB	606 LBS
SFG23-12-3-96	SECTOR FRAME 12'-8" FACE, (3) 96" ANTENNA PIPE	SFG2312396SB	599 LBS
SFG23-12-3-126	SECTOR FRAME 12'-8" FACE, (3) 126" ANTENNA PIPE	SFG23123126SB	621 LBS
SFG23-14-3-96	SECTOR FRAME 14'-8" FACE, (3) 96" ANTENNA PIPE	SFG2314396SB	614 LBS
SFG23-14-3-126	SECTOR FRAME 14'-8" FACE, (3) 126" ANTENNA PIPE	SFG23143126SB	636 LBS
SFG23-10-B	SECTOR FRAME 10'-8" FACE, NO ANTENNA PIPE	SFG2310SB	524 LBS
SFG23-12-B	SECTOR FRAME 12'-8" FACE, NO ANTENNA PIPE	SFG2312SB	538 LBS
SFG23-14-B	SECTOR FRAME 14'-8" FACE, NO ANTENNA PIPE	SFG2314SB	552 LBS



NOTES:

- CUSTOMER ASSEMBLY SHEETS 2-8.
- FITS TOWERS LEGS UP TO 8" OD, 8" ANGLE 60°, AND 6" ANGLE 90°.

PATENT PENDING

These drawings and specifications are the proprietary property of CommScope Inc. and may be used only for the specific purpose authorized in writing by CommScope Inc.		DRAWN BY: MSM	SHEET: 1 of 8	PART NUMBER: SFG23 SERIES
ALL DIMENSIONS ARE IN INCHES U.O.S. TOLERANCES UNLESS OTHERWISE SPECIFIED: .X = ± .12 ANGLES ±2° .XX = ± .06 FRACTIONS ±1/32 .XXX = ± .03 REMOVE BURRS AND BREAK EDGES .005		CHECKED BY: TP	SCALE: NTS	DESCRIPTION: SEE TABLE
DO NOT SCALE THIS PRINT		DATE: 03/02/15	MATERIAL: SEE TABLE	DRAWING TYPE: ASSEMBLY DRAWING
		REVISION: J	FINISH: N/A	 Hickory, NC 28602 U.S.A.
			WEIGHT: N/A	

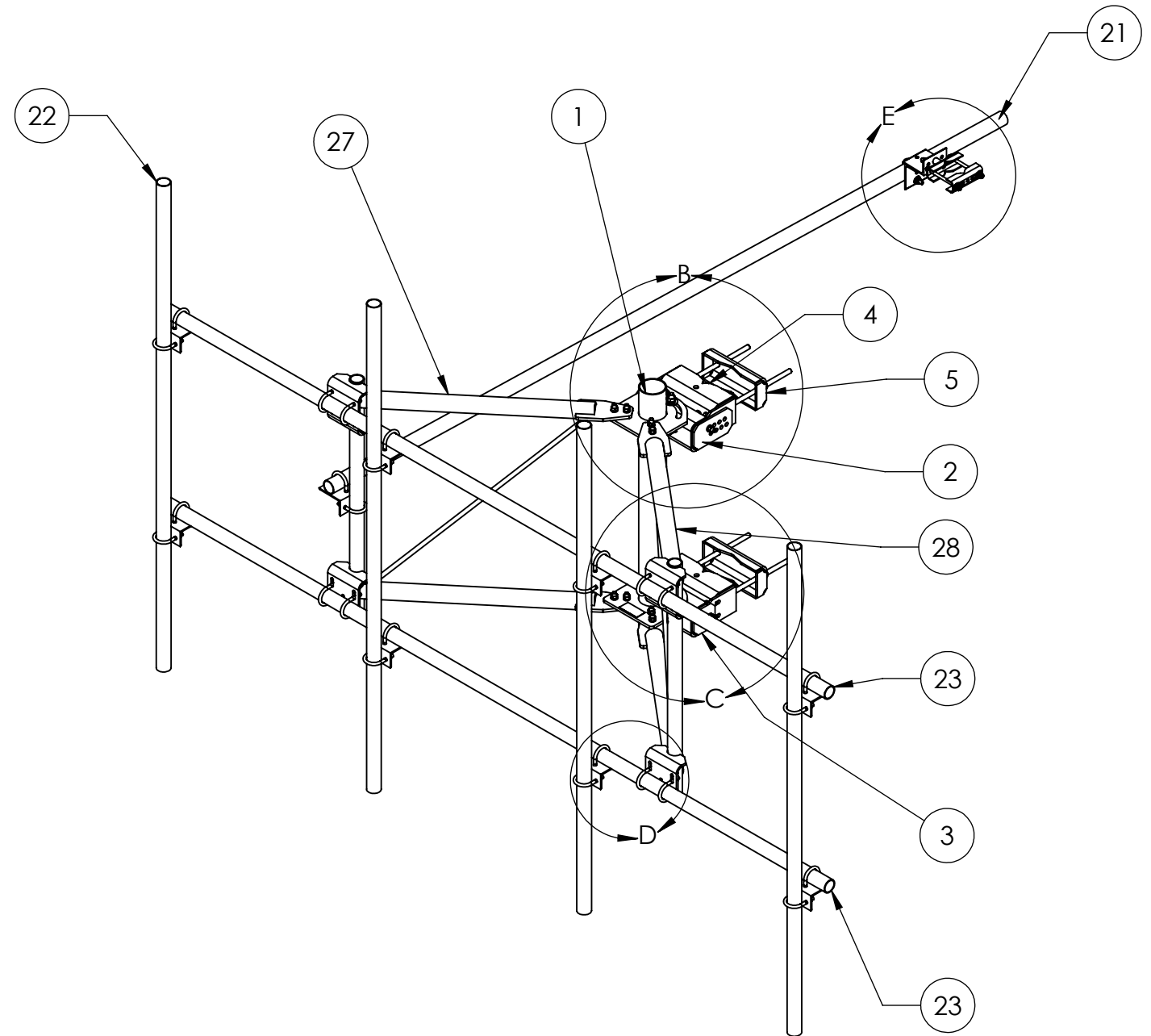
ITEM	PART NO.	DESCRIPTION	QTY.	WEIGHT	NOTE NO.
1	SFG2302	ARM MOUNT WELDMENT	1	59.80 LBS	
2	SFG2303	TOP TAPER BRACKET	1	22.61 LBS	
3	SFG2304	LOWER TAPER BRACKET	1	19.17 LBS	
4	SFG2305	TOWER SADDLE FRONT CLAMP	2	22.85 LBS	
5	SFG2306	BACK TOWER CLAMP WELDMENT	2	12.70 LBS	
6	SAB01	FORMED CLAMP	2	1.35 LBS	
7	XA2020.01	CROSS OVER ANGLE	11	2.65 LBS	
8	OS15034	3/4" X 1-1/2" OFFSET COLLAR	1	0.14 LBS	
9	MT38420	3/4" X 20" GALV THREADED ROD	4	2.49 LBS	
10	GWF-06	3/4" GALV FLAT WASHER	10	0.10 LBS	
11	GWL-06	3/4" GALV LOCK WASHER	8	0.04 LBS	
12	GN-06	3/4" GALV HEX NUT	12	0.15 LBS	
13	GUB-4240	1/2" X 2-1/2" X 4" GALV U-BOLT	27	0.56 LBS	
14	GB-0414A	1/2" X 1-1/2" GALV BOLT KIT (A325)	1	0.13 LBS	
15	GB-0426A	1/2" X 2-3/4" GALV BOLT KIT (A325)	1	0.20 LBS	
16	MT-379-8	1/2" X 8" GALV THREADED ROD	2	0.44 LBS	
17	GWF-04	1/2" GALV FLAT WASHER	4	0.03 LBS	
18	GWL-04	1/2" GALV LOCK WASHER	4	0.01 LBS	
19	GN-04	1/2" GALV HEX NUT	4	0.04 LBS	
20	GUB-5456	5/8" X 4-5/8" X 6 1/2" GALV U-BOLT	2	1.42 LBS	
21	MT-651-150	PIPE, 2-3/8"OD X 150" GALV	1	36.01 LBS	
22	MT-xxxx	Ø 2.375" OD PIPE	-	-	1
23	FACE PIPE	Ø 2.375"OD PIPE (SEE TABLE)	2	46.02 LBS	
24	GB-0624A	3/4" X 2-1/2" GALV BOLT KIT (A325)	2	0.47 LBS	
25	GB-0520A	5/8" X 2" GALV BOLT KIT (A325)	4	0.26 LBS	
26	GB-05225	5/8" X 2-1/4" GALV BOLT KIT	8	0.28 LBS	
27	SFG2367L	SECTOR FRAME ARM LEFT WELDMENT	1	81.38 LBS	
28	SFG2367R	SECTOR FRAME ARM RIGHT WELDMENT	1	81.38 LBS	

SFG23 SERIES PIPE CHART

PART NO.	DESCRIPTION	FACE PIPE	ANTENNA PIPE
SFG23-10-x-96	SECTOR FRAME 10'-8" FACE, 96" ANTENNA PIPE	SFG23126	MT-651-96
SFG23-10-x-126	SECTOR FRAME 10'-8" FACE, 126" ANTENNA PIPE	SFG23126	MT-537
SFG23-12-x-96	SECTOR FRAME 12'-8" FACE, 96" ANTENNA PIPE	SFG23150	MT-651-96
SFG23-12-x-126	SECTOR FRAME 12'-8" FACE, 126" ANTENNA PIPE	SFG23150	MT-537
SFG23-14-x-96	SECTOR FRAME 14'-8" FACE, 96" ANTENNA PIPE	SFG23174	MT-651-96
SFG23-14-x-126	SECTOR FRAME 14'-8" FACE, 126" ANTENNA PIPE	SFG23174	MT-537

NOTES:
1. SEE PIPE CHART.

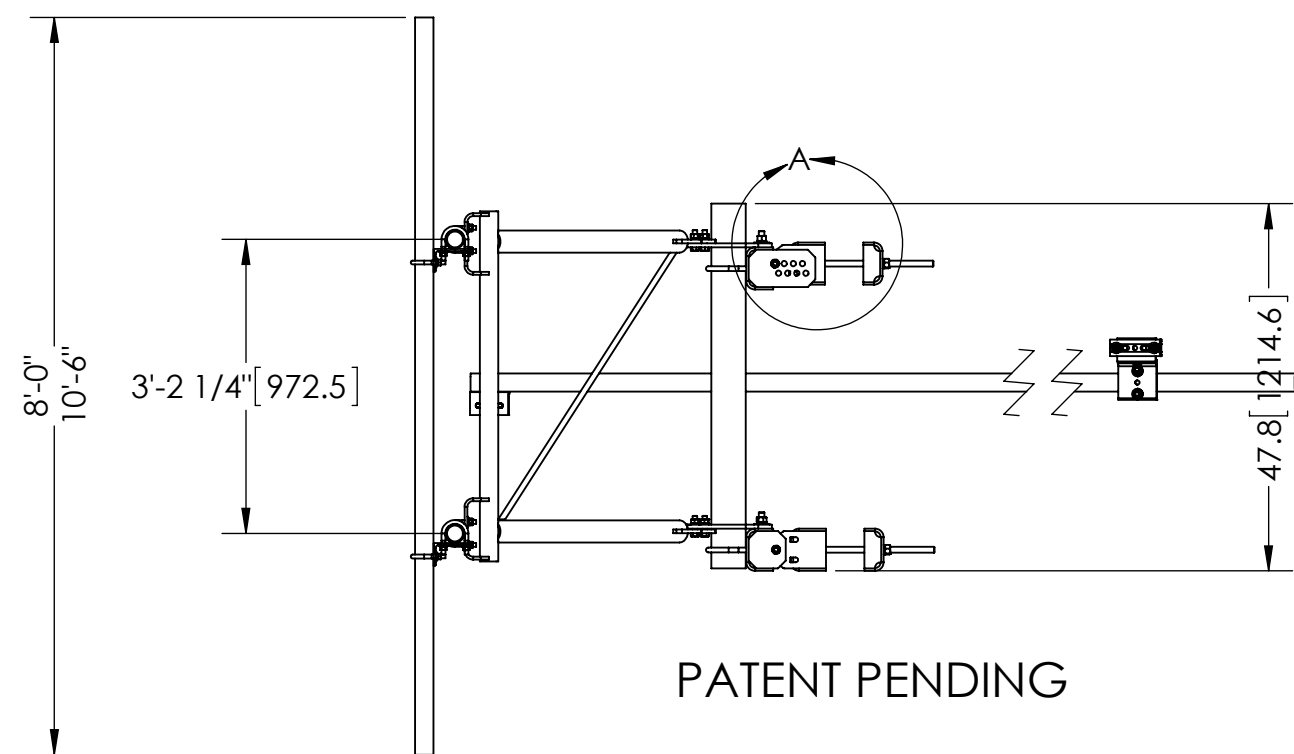
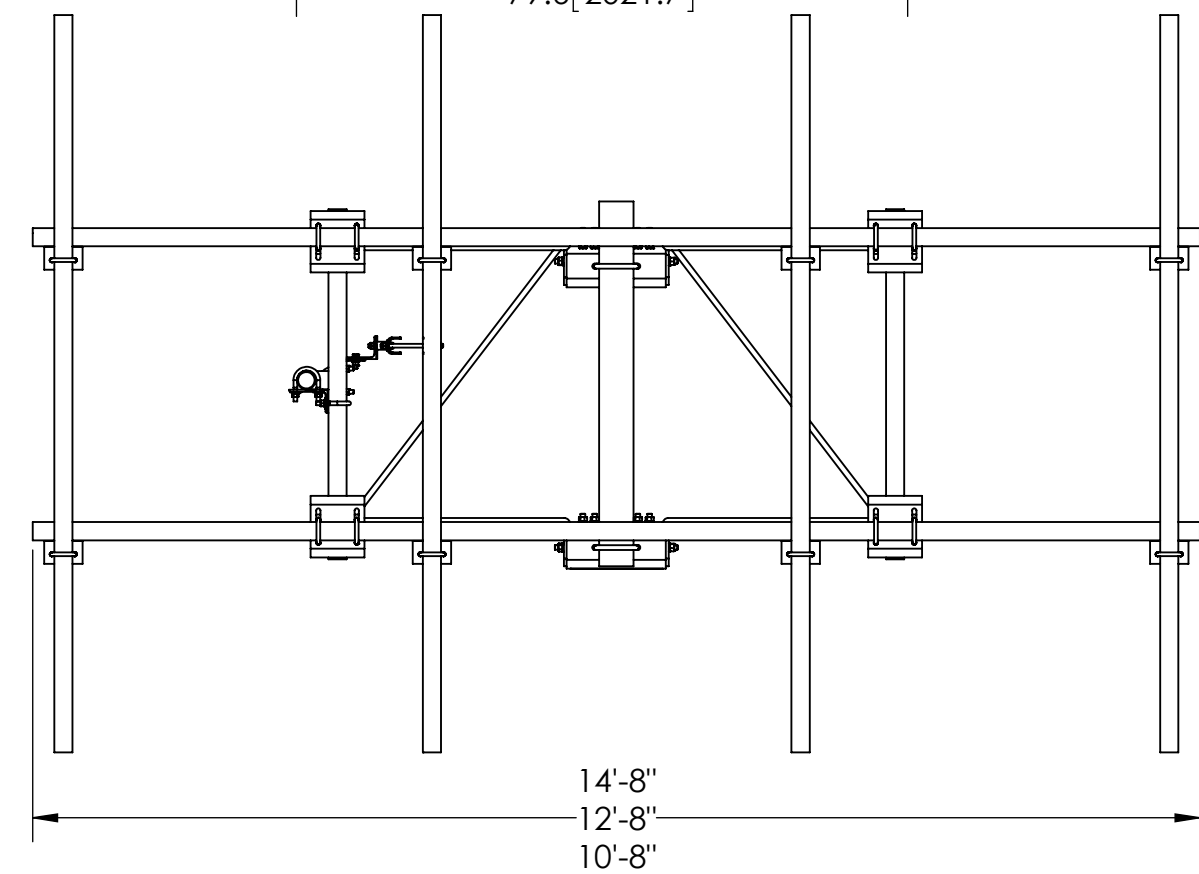
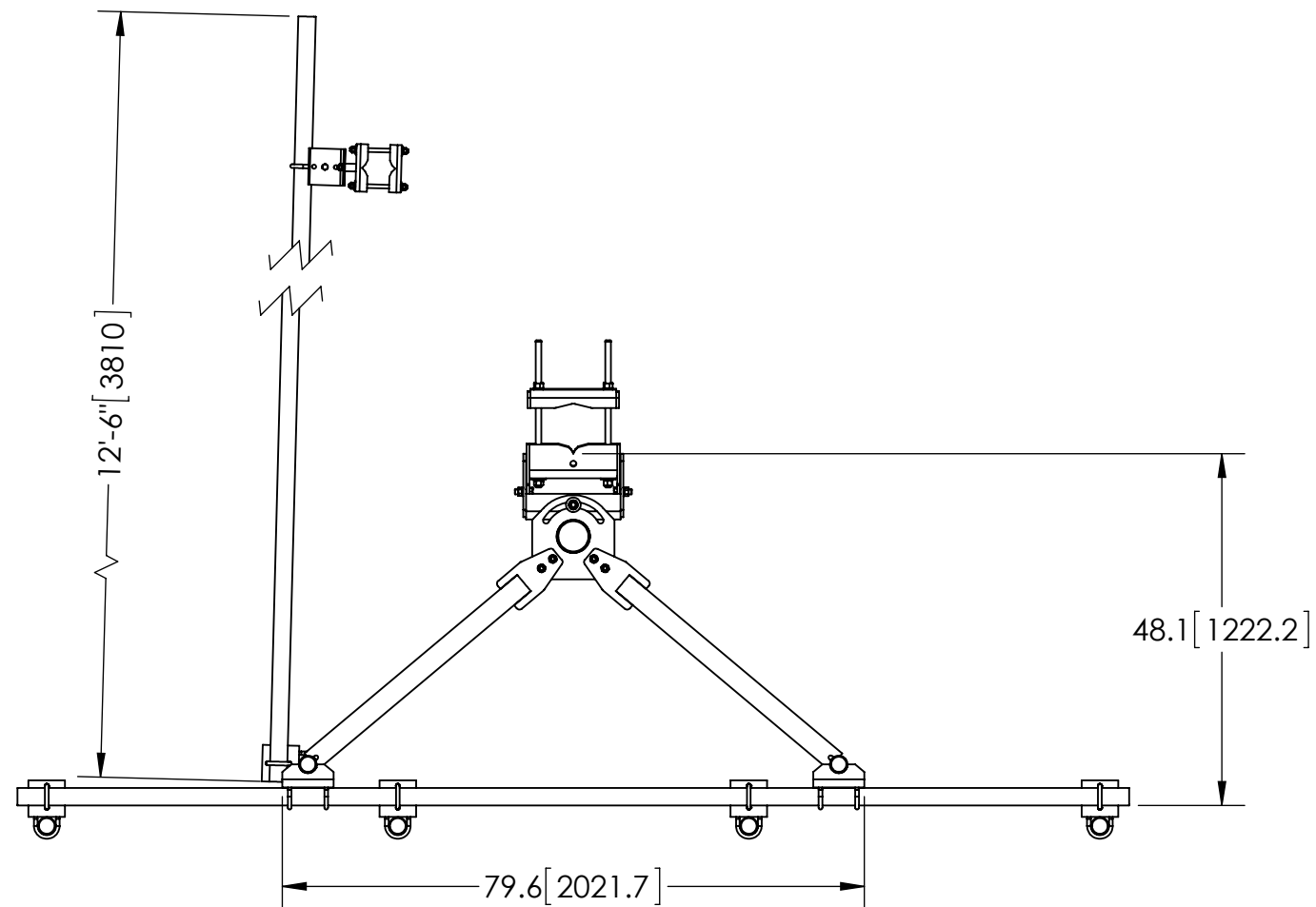
SFG23-12-4-96 SHOWN



PATENT PENDING

<small>These drawings and specifications are the proprietary property of CommScope Inc. and may be used only for the specific purpose authorized in writing by CommScope Inc.</small> ALL DIMENSIONS ARE IN INCHES U.O.S. TOLERANCES UNLESS OTHERWISE SPECIFIED: .X = ± .12 ANGLES ±2° .XX = ± .06 FRACTIONS ±1/32 .XXX = ± .03 REMOVE BURRS AND BREAK EDGES .005 DO NOT SCALE THIS PRINT	DRAWN BY: MSM	SHEET: 2 of 8	PART NUMBER: SFG23 SERIES
	CHECKED BY: TP	SCALE: NTS	DESCRIPTION:
	DATE: 03/02/15	MATERIAL: A-36, A-500	DRAWING TYPE: ASSEMBLY DRAWING
	REVISION: J	FINISH: GALV A123 WEIGHT: N/A	 Hickory, NC 28602 U.S.A.

SFG23-12-4-96 SHOWN



PATENT PENDING

These drawings and specifications are the proprietary property of CommScope Inc. and may be used only for the specific purpose authorized in writing by CommScope Inc.

ALL DIMENSIONS ARE IN INCHES U.S.S.
TOLERANCES UNLESS OTHERWISE SPECIFIED:
.X = ± .12 ANGLES ±2°
.XX = ± .06 FRACTIONS ±1/32
.XXX = ± .03

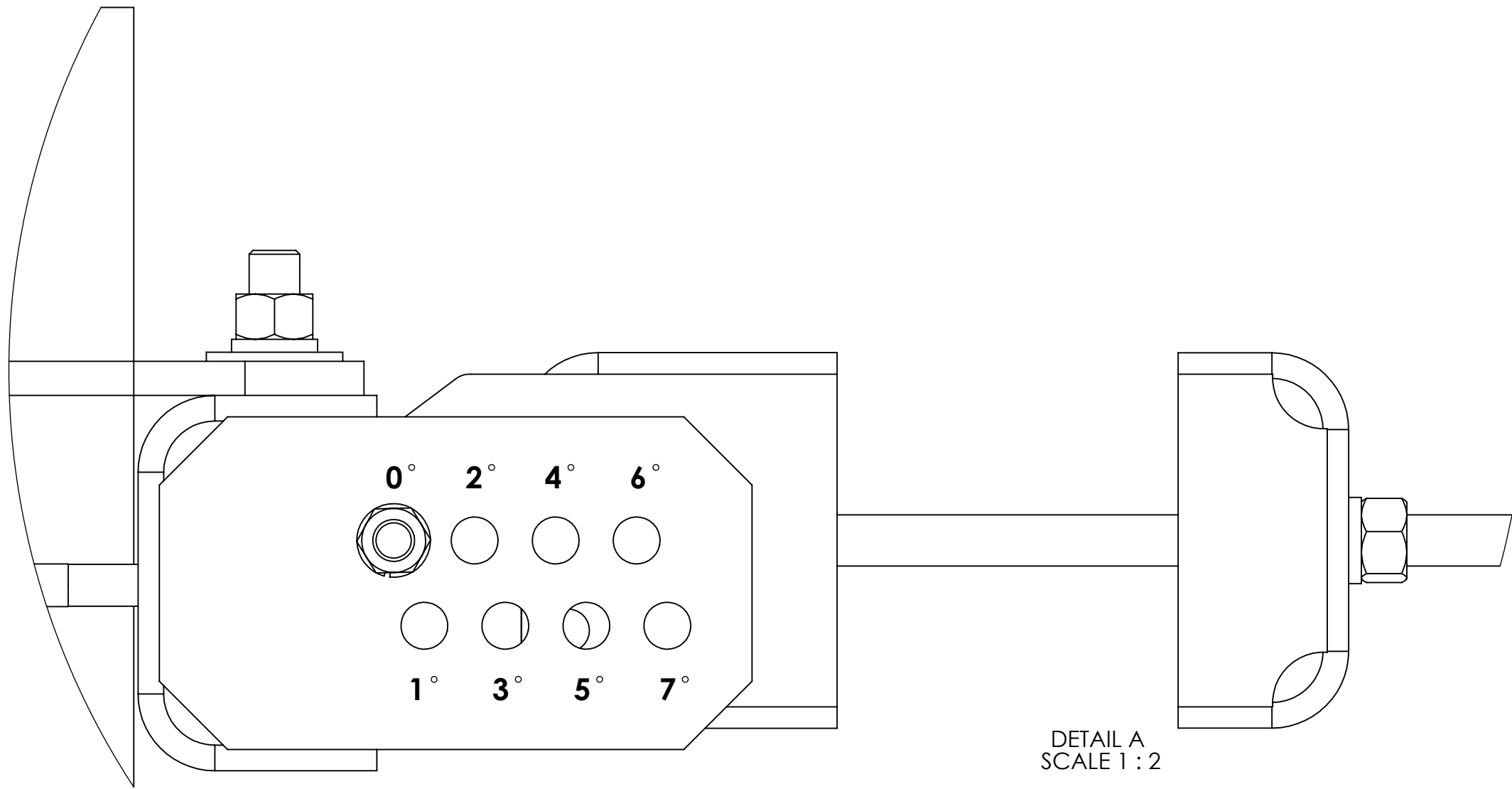
REMOVE BURRS AND BREAK EDGES .005

DO NOT SCALE THIS PRINT

DRAWN BY: MSM	SHEET: 3 of 8
CHECKED BY: TP	SCALE: NTS
DATE: 03/02/15	MATERIAL: A-36, A-500
REVISION: J	FINISH: GALV A123
	WEIGHT: N/A

PART NUMBER: SFG23 SERIES
DESCRIPTION:
DRAWING TYPE: ASSEMBLY DRAWING
COMMSCOPE® Hickory, NC 28602 U.S.A.

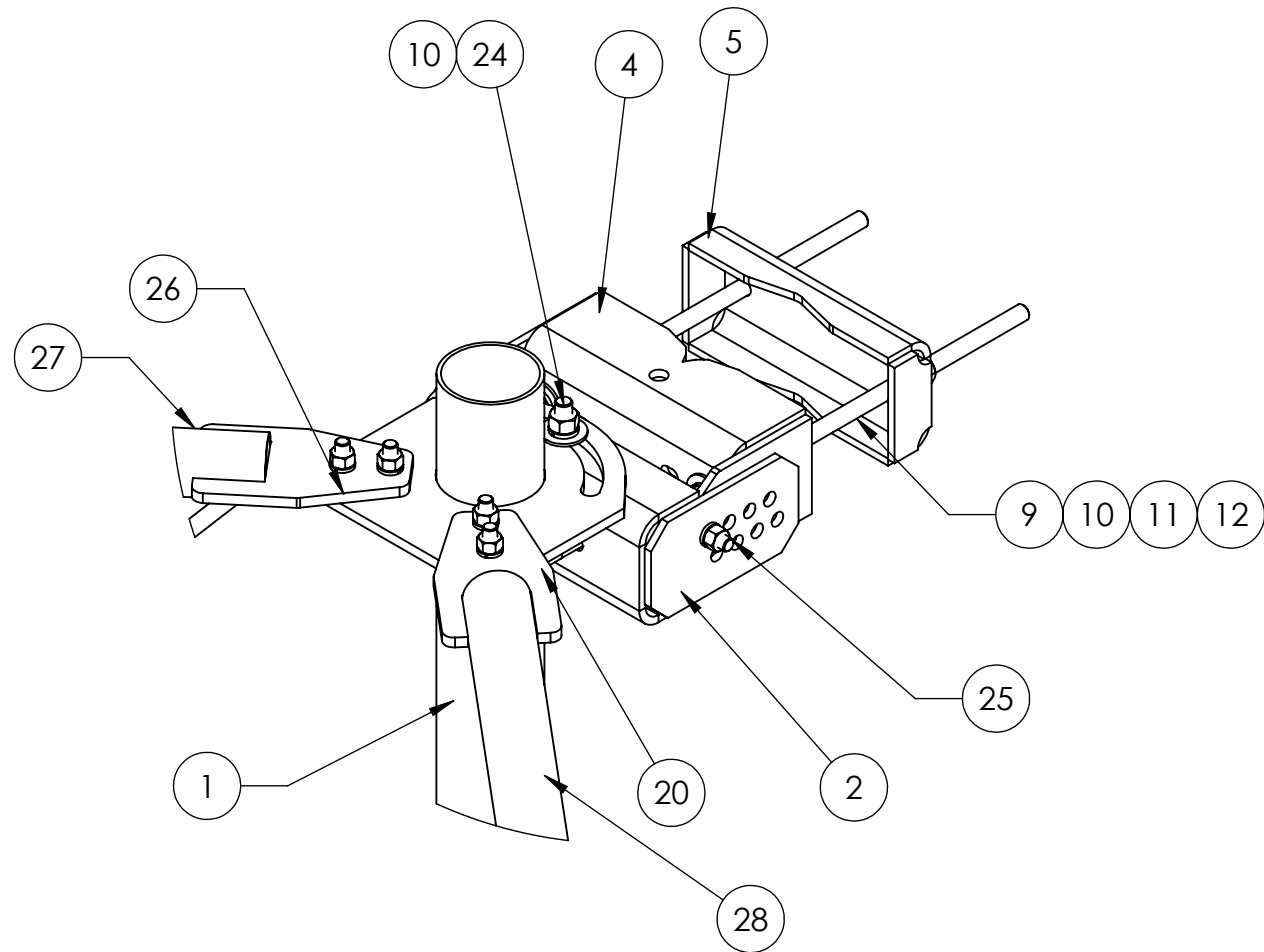
TAPER GUIDE



DETAIL A
SCALE 1 : 2

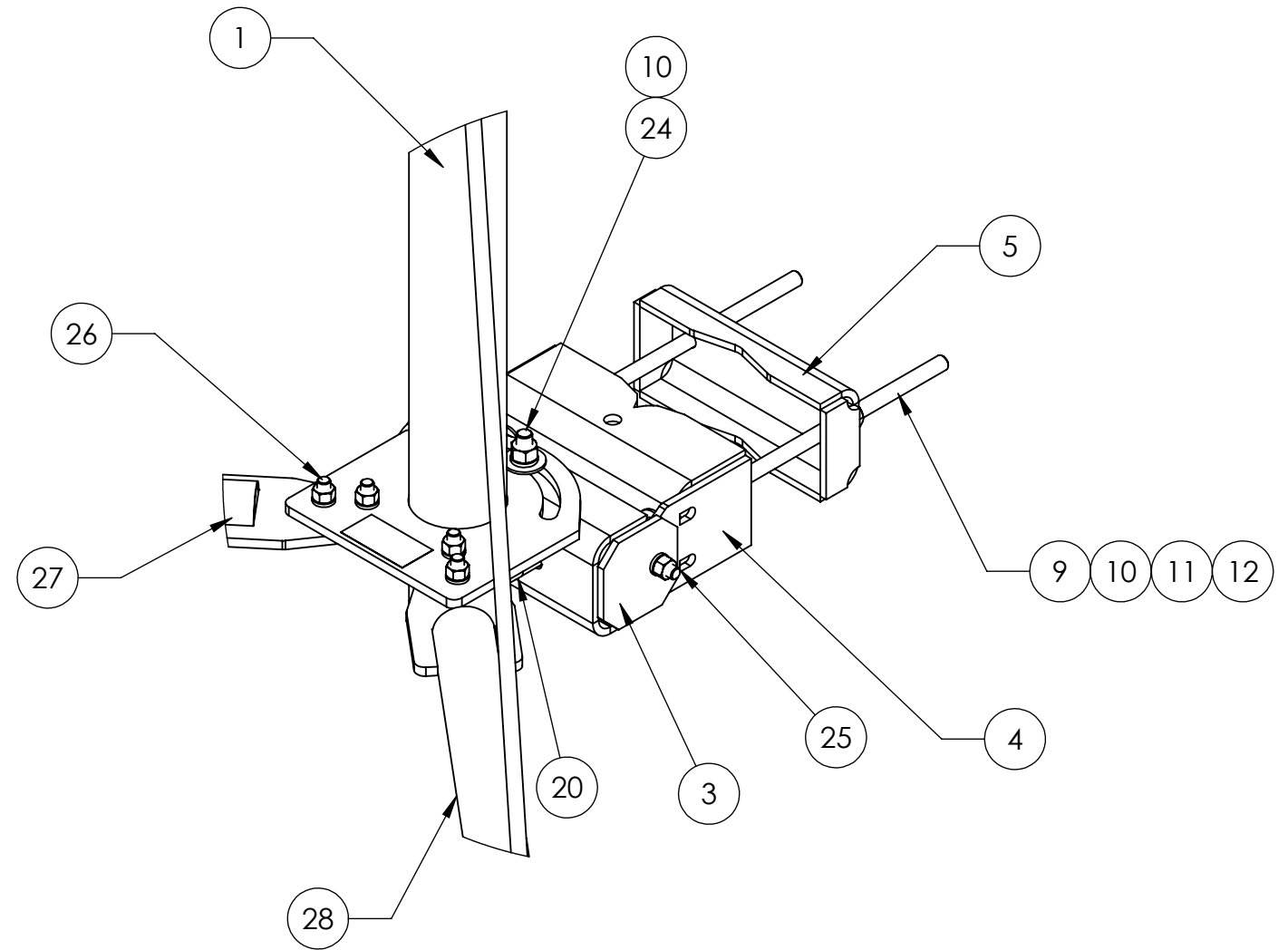
PATENT PENDING

<p>These drawings and specifications are the proprietary property of CommScope Inc. and may be used only for the specific purpose authorized in writing by CommScope Inc.</p> <p>ALL DIMENSIONS ARE IN INCHES U.O.S. TOLERANCES UNLESS OTHERWISE SPECIFIED: .X = ± .12 ANGLES ±2° .XX = ± .06 FRACTIONS ±1/32 .XXX = ± .03</p> <p>REMOVE BURRS AND BREAK EDGES .005</p> <p>DO NOT SCALE THIS PRINT</p>	DRAWN BY: MSM	SHEET: 4 of 8	PART NUMBER: SFG23 SERIES
	CHECKED BY: TP	SCALE: NTS	DESCRIPTION:
	DATE: 03/02/15	MATERIAL: A-36, A-500	DRAWING TYPE: ASSEMBLY DRAWING
	REVISION: J	FINISH: GALV A123	<p>Hickory, NC 28602 U.S.A.</p>
	WEIGHT: N/A		



DETAIL B
SCALE 1 : 8


**SEE SHEETS 7 & 8 FOR ASSEMBLY
INSTRUCTIONS**

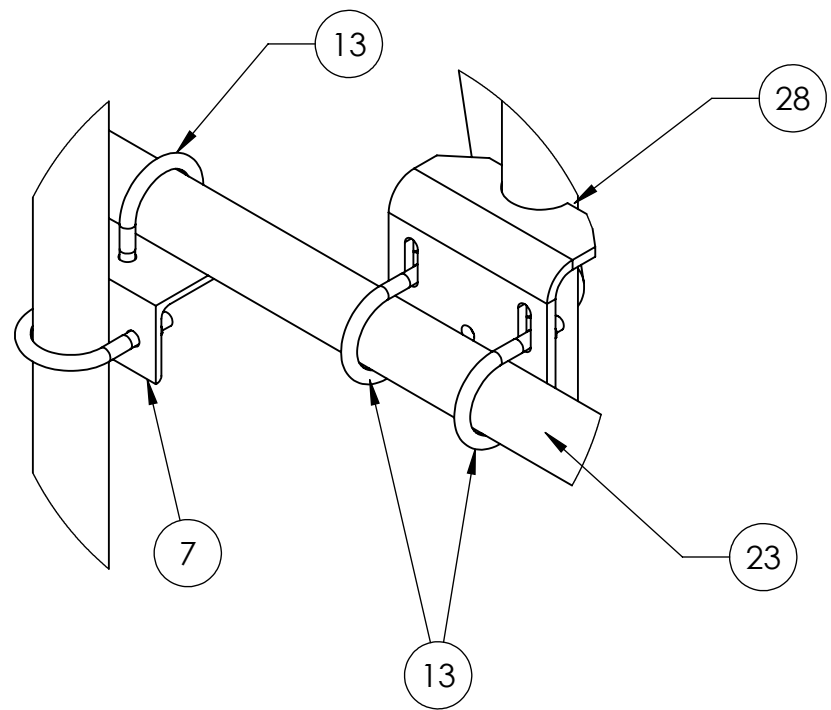


DETAIL C
SCALE 1 : 8

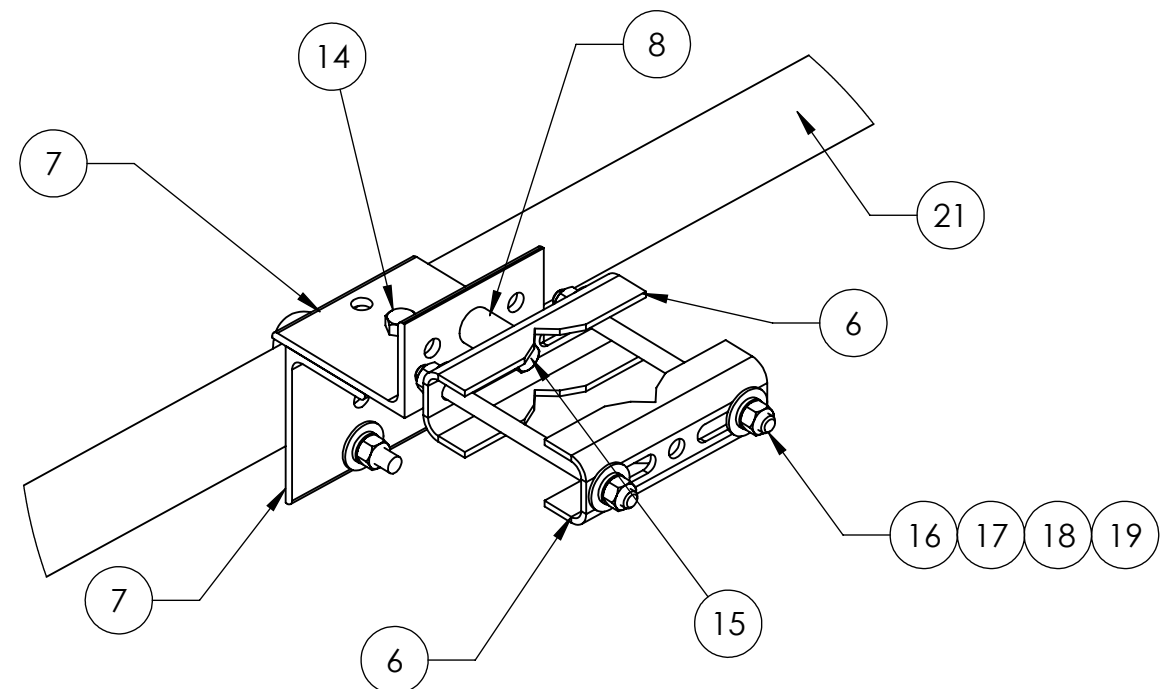
**SEE SHEET 7 & 8 FOR ASSEMBLY
INSTRUCTIONS**

PATENT PENDING

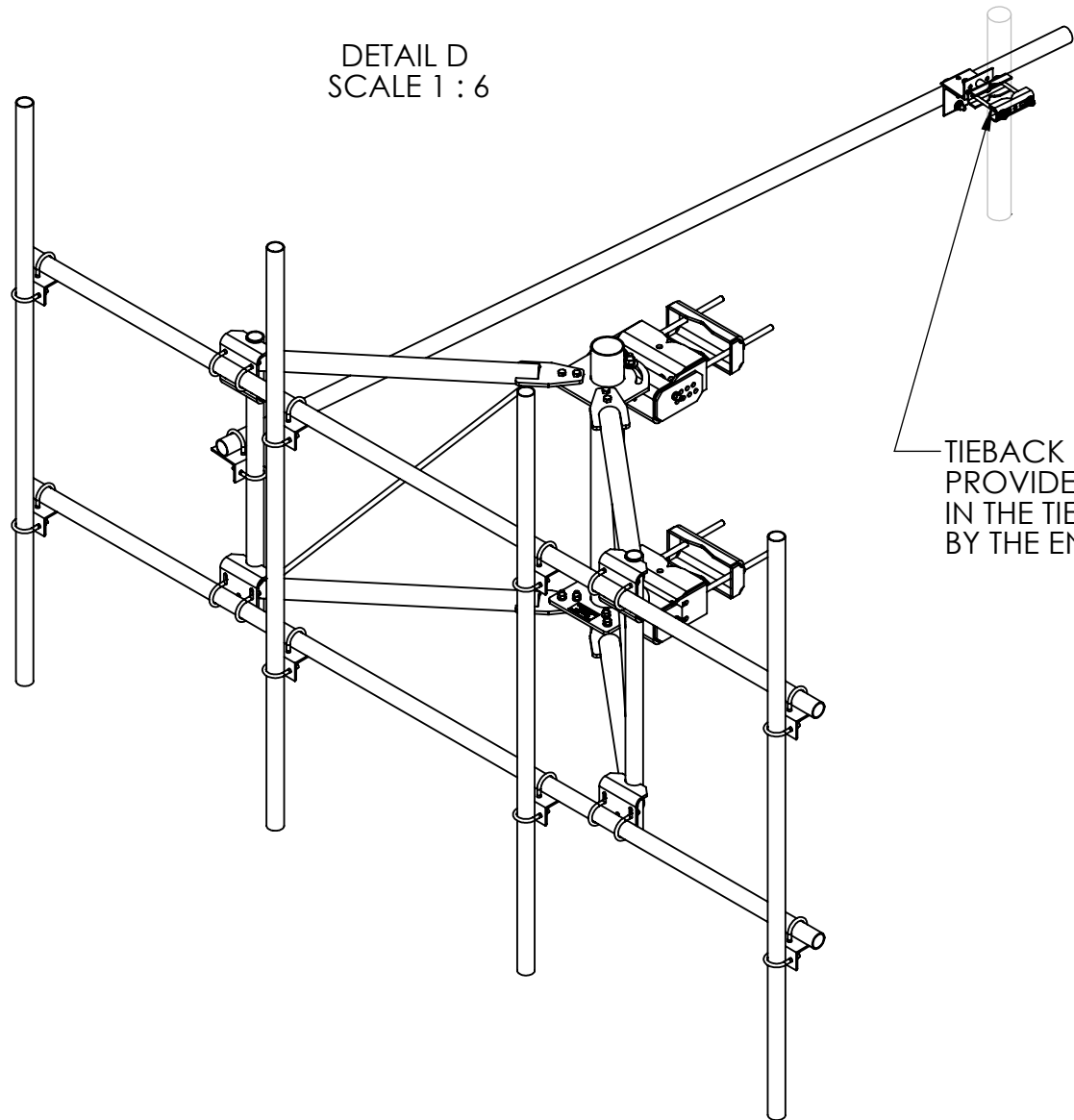
These drawings and specifications are the proprietary property of CommScope Inc. and may be used only for the specific purpose authorized in writing by CommScope Inc. ALL DIMENSIONS ARE IN INCHES U.S.S. TOLERANCES UNLESS OTHERWISE SPECIFIED: .X = ± .12 ANGLES ±2° .XX = ± .06 FRACTIONS ±1/32 .XXX = ± .03 REMOVE BURRS AND BREAK EDGES .005 DO NOT SCALE THIS PRINT	DRAWN BY: MSM	SHEET: 5 of 8	PART NUMBER: SFG23 SERIES
	CHECKED BY: TP	SCALE: NTS	DESCRIPTION:
	DATE: 03/02/15	MATERIAL: A-36, A-500	DRAWING TYPE: ASSEMBLY DRAWING
	REVISION: J	FINISH: GALV A123	 Hickory, NC 28602 U.S.A.
	WEIGHT: N/A		



DETAIL D
SCALE 1 : 6



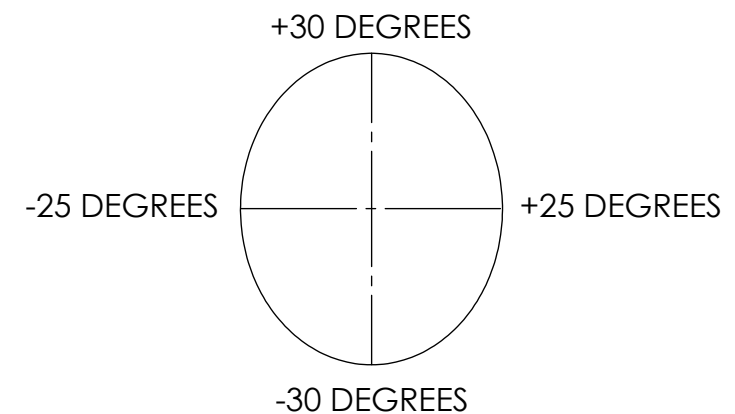
DETAIL E
SCALE 1 : 5



TIEBACK MUST BE CONNECTED TO A RIGID MEMBER THAT PROVIDES ADEQUATE SUPPORT WITHIN THE LIMITS NOTED IN THE TIEBACK ANGLE RANGE DETAIL. UNLESS APPROVED BY THE ENGINEER OF RECORD.

TIEBACK ANGLE RANGE DETAIL

±30 DEGREES VERTICAL
±25 DEGREES HORIZONTAL



PATENT PENDING

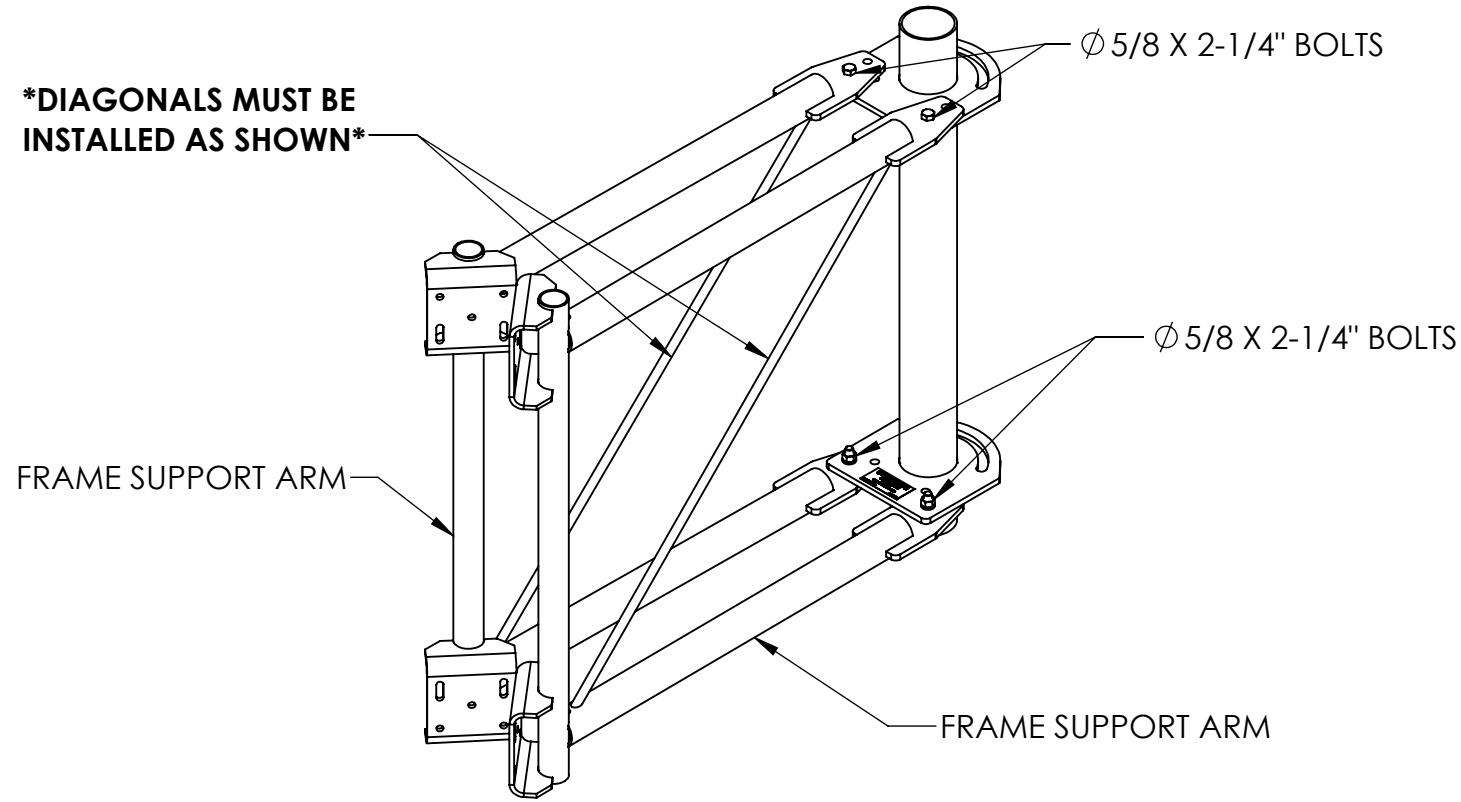
<p>These drawings and specifications are the proprietary property of CommScope Inc. and may be used only for the specific purpose authorized in writing by CommScope Inc.</p> <p>ALL DIMENSIONS ARE IN INCHES U.S.S. TOLERANCES UNLESS OTHERWISE SPECIFIED: .X = ± .12 ANGLES ±2° .XX = ± .06 FRACTIONS ±1/32 .XXX = ± .03</p> <p>REMOVE BURRS AND BREAK EDGES .005</p> <p>DO NOT SCALE THIS PRINT</p>	DRAWN BY: MSM	SHEET: 6 of 8	PART NUMBER: SFG23 SERIES
	CHECKED BY: TP	SCALE: NTS	DESCRIPTION:
	DATE: 03/02/15	MATERIAL: A-36, A-500	DRAWING TYPE: ASSEMBLY DRAWING
	REVISION: J	FINISH: GALV A123	<p>Hickory, NC 28602 U.S.A.</p>
	WEIGHT: N/A		

STEP 1: LOOSEN ϕ 5/8 HARDWARE TO OPEN FRAME SUPPORT ARMS.

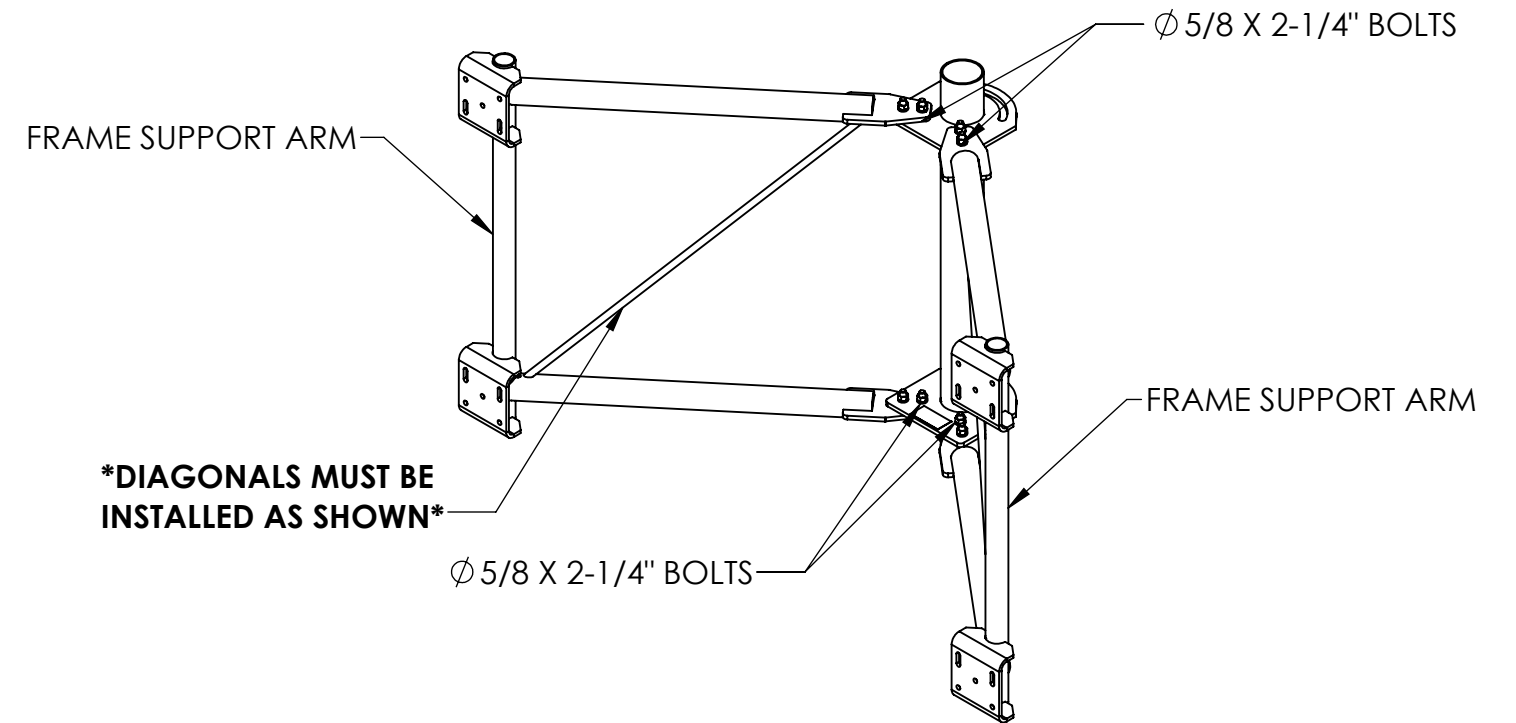
ASSEMBLY INSTRUCTION ORDER

STEP 2: OPEN FRAME SUPPORT ARMS AND INSTALL (4) ϕ 5/8 X 2-1/4" BOLTS.

DIAGONALS MUST BE INSTALLED AS SHOWN



DO NOT TIGHTEN ϕ 5/8" BOLTS AT THIS TIME



STEP 3: INSTALL FACE PIPES AND ϕ 1/2" U-BOLTS

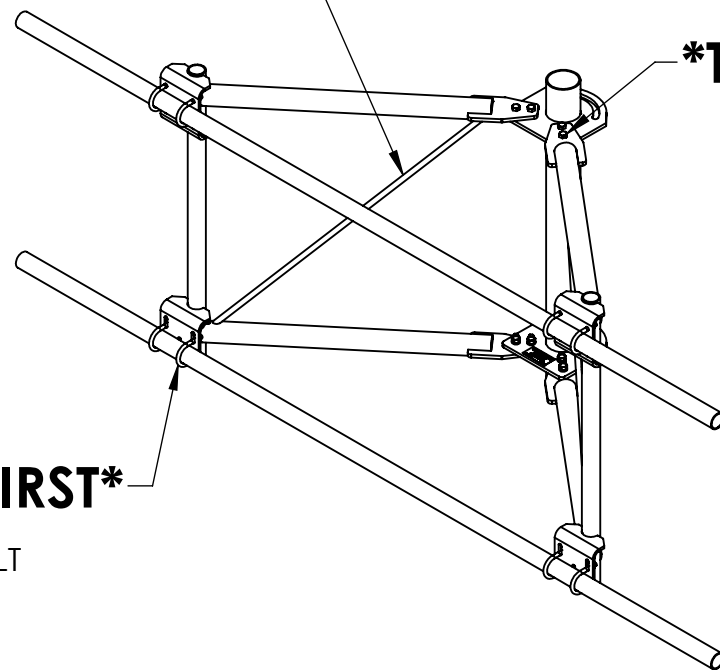
TIGHTEN U-BOLTS FIRST AND ϕ 5/8" BOLTS SECOND

DIAGONALS MUST BE INSTALLED AS SHOWN

TIGHTEN SECOND
 ϕ 5/8 X 2-1/4" BOLT

TIGHTEN FIRST

ϕ 1/2" U-BOLT
(8) PLACES

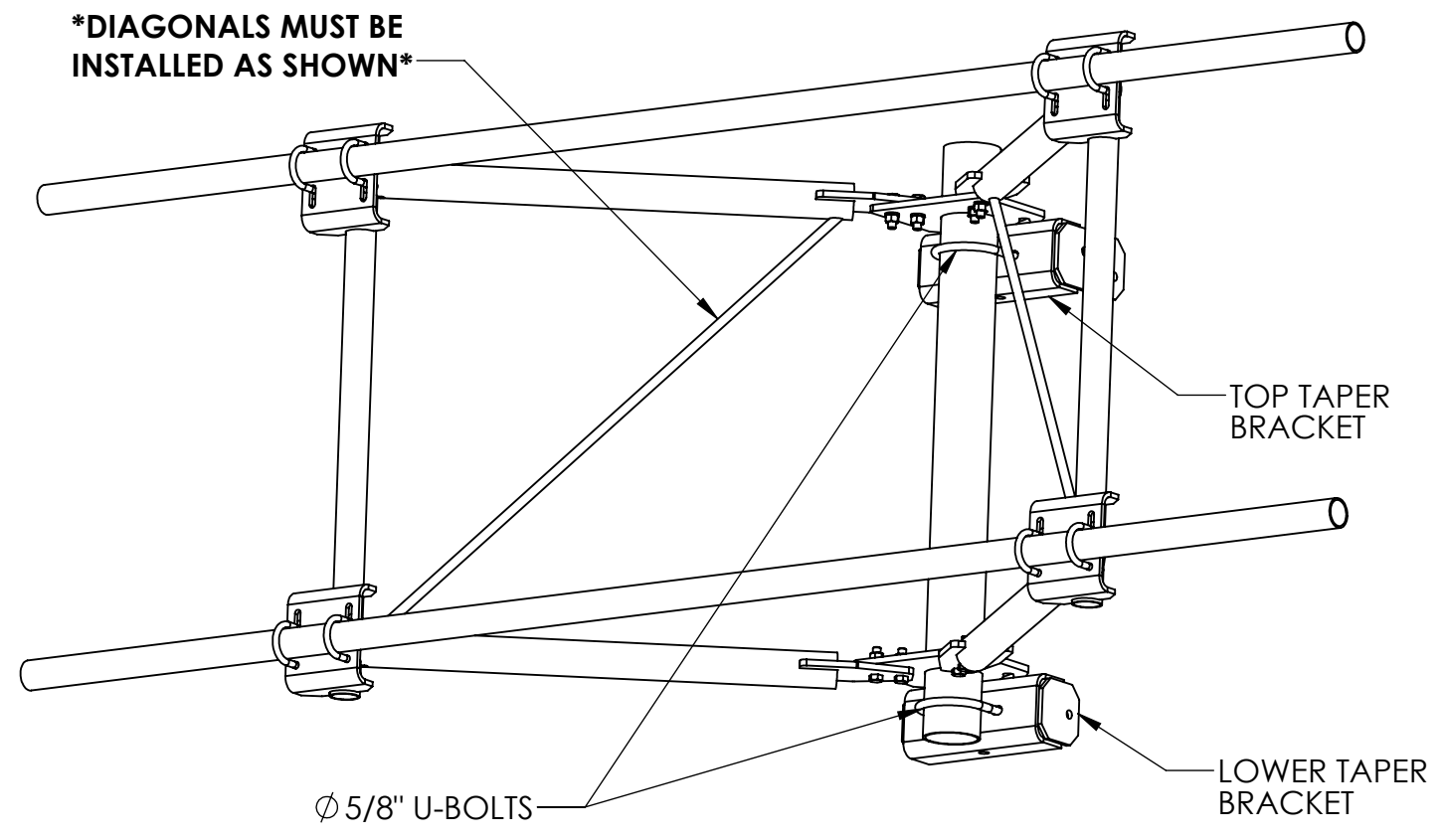


SECTOR FRAME MUST BE INSTALLED WITH DIAGONALS ORIENTED AS SHOWN

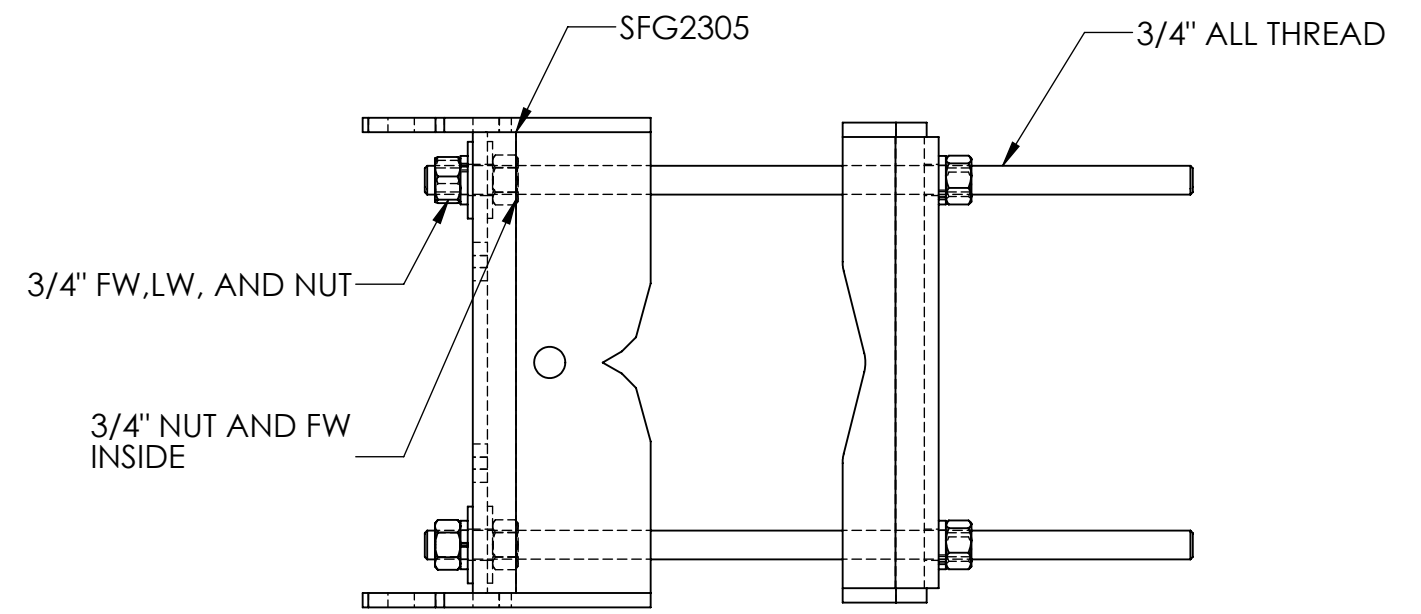
PATENT PENDING

<small>These drawings and specifications are the proprietary property of CommScope Inc. and may be used only for the specific purpose authorized in writing by CommScope Inc.</small> <small>ALL DIMENSIONS ARE IN INCHES U.S.S. TOLERANCES UNLESS OTHERWISE SPECIFIED:</small> .X = ± .12 ANGLES ±2° .XX = ± .06 FRACTIONS ±1/32 .XXX = ± .03 REMOVE BURRS AND BREAK EDGES .005 DO NOT SCALE THIS PRINT	DRAWN BY: MSM	SHEET: 7 of 8	PART NUMBER: SFG23 SERIES
	CHECKED BY: TP	SCALE: NTS	DESCRIPTION:
	DATE: 03/02/15	MATERIAL: A-36, A-500	DRAWING TYPE: ASSEMBLY DRAWING
	REVISION: J	FINISH: GALV A123	 Hickory, NC 28602 U.S.A.
	WEIGHT: N/A		

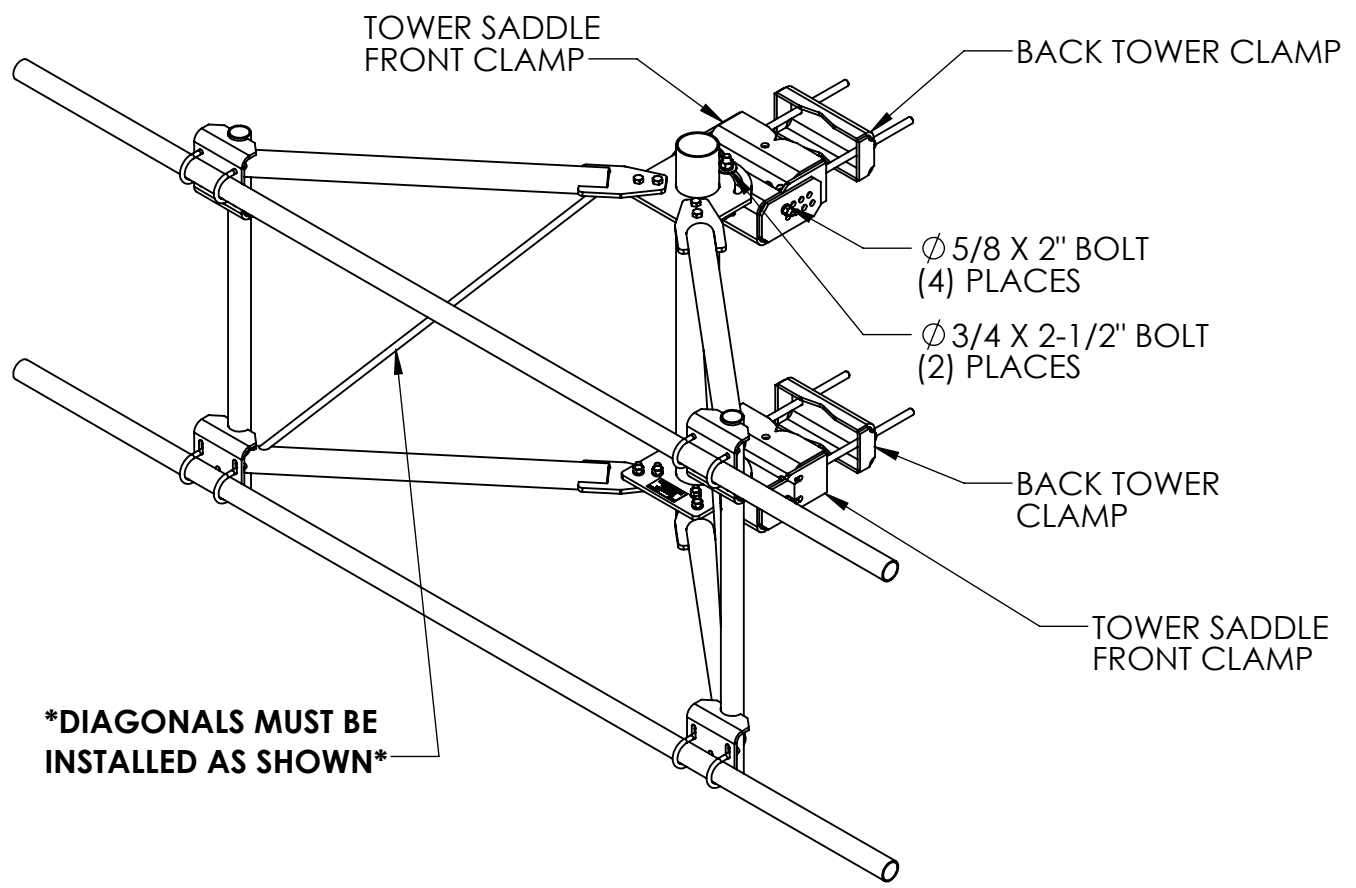
STEP 4: ASSEMBLE TO TOWER SADDLE FRONT CLAMP



STEP 5: ASSEMBLE TOWER SADDLE FRONT CLAMP



STEP 6: ATTACH TOWER CLAMPS



SECTOR FRAME MUST BE INSTALLED WITH DIAGONALS ORIENTED AS SHOWN

PATENT PENDING

<p>These drawings and specifications are the proprietary property of CommScope Inc. and may be used only for the specific purpose authorized in writing by CommScope Inc.</p> <p>ALL DIMENSIONS ARE IN INCHES U.O.S. TOLERANCES UNLESS OTHERWISE SPECIFIED: .X = ± .12 ANGLES ±2° .XX = ± .06 FRACTIONS ±1/32 .XXX = ± .03</p> <p>REMOVE BURRS AND BREAK EDGES .005</p> <p>DO NOT SCALE THIS PRINT</p>	<p>DRAWN BY: MSM</p>	<p>SHEET: 8 of 8</p>	<p>PART NUMBER: SFG23 SERIES</p>
	<p>CHECKED BY: TP</p>	<p>SCALE: NTS</p>	<p>DESCRIPTION:</p>
	<p>DATE: 03/02/15</p>	<p>MATERIAL: A-36, A-500</p>	<p>DRAWING TYPE: ASSEMBLY DRAWING</p>
	<p>REVISION: J</p>	<p>FINISH: GALV A123</p>	<p>WEIGHT: N/A</p>

COMMSCOPE®
Hickory, NC 28602 U.S.A.