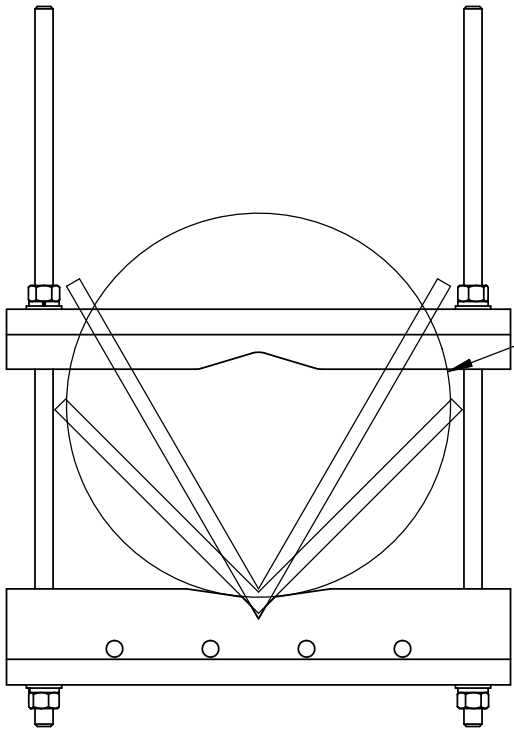
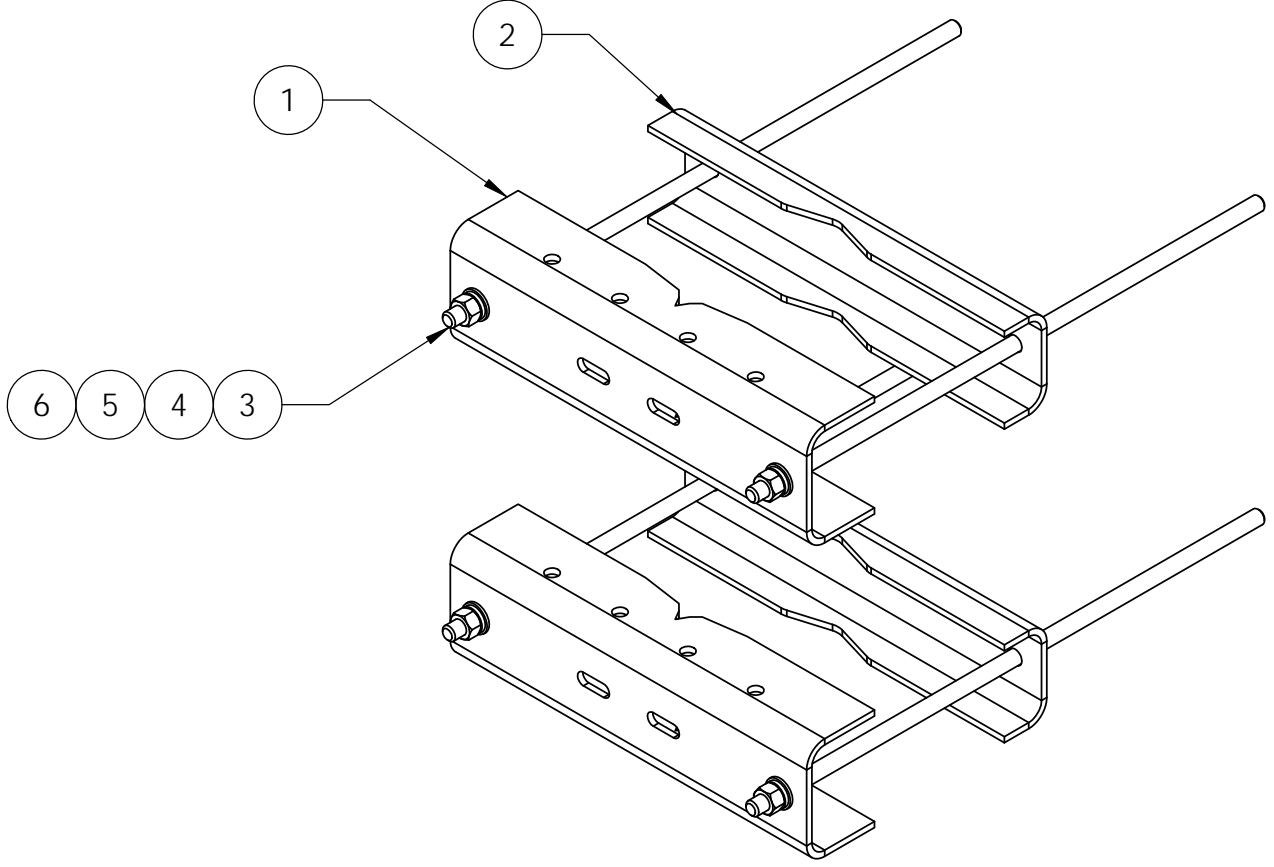


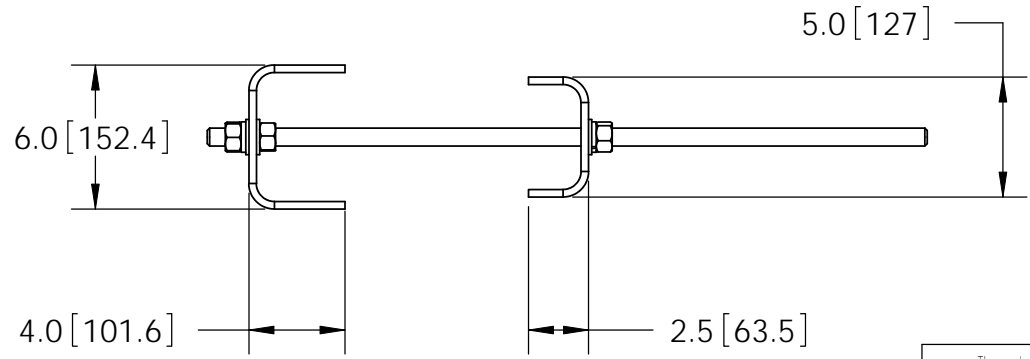
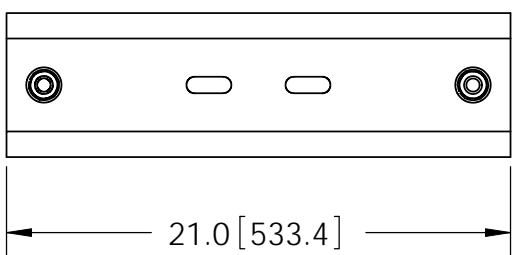
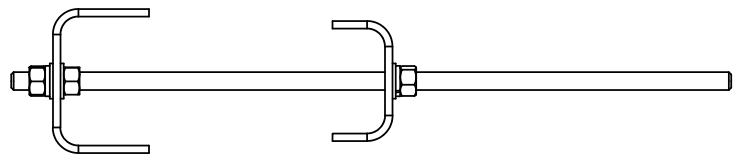
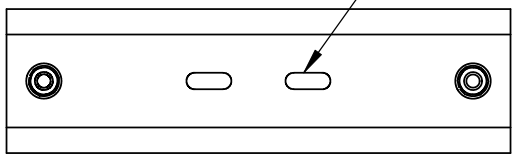
REVISIONS				
REV.	ZONE	DESCRIPTION	BY	DATE
A		INITIAL RELEASE	MSM	06/25/09
B		UPDATE PARTS SMU201601 AND SMU201602	MSM	09/21/09
C		UPDATE ITEM SMU201601	MSM	04/15/10
D		UPDATED QUANTITIES OF GN-06 AND GWF-06	DRR	05/23/11



SADDLE RANGE UP TO
 Ø 16" OD LEG
 16" 60° ANGLE LEG
 12" 90° ANGLE LEG




ANTENNA PIPE: 2-3/8" - 4-1/2" OD
 PIPE AND U-BOLTS ORDERED SEPARATELY



ITEM	PART NO.	DESCRIPTION	QTY.	WEIGHT
1	SMU201601	Large Saddle Mount, 16" Tower Leg	2	22.42 LBS
2	SMU201602	CLAMP PLATE	2	15.48 LBS
3	MT38430B7	3/4" X 30" GALV Threaded Rod, Grade B7	4	3.73 LBS
4	GWF-06	3/4" GALV FLAT WASHER	12	0.04 LBS
5	GWL-06	3/4" GALV LOCK WASHER	8	0.04 LBS
6	GN-06	3/4" GALV HEX NUT	12	0.08 LBS

NOTES:
 1. ALL METRIC DIMENSIONS ARE IN BRACKETS.

<small>These drawings and specifications are the proprietary property of ANDREW CORPORATION and may be used only for the specific purpose authorized in writing by Andrew Corporation.</small>		DRAWN BY: MSM	SHEET: 1 of 1	PART NUMBER: SM-U2016
ALL DIMENSIONS ARE IN INCHES U.O.S. TOLERANCES UNLESS OTHERWISE SPECIFIED: .X = ± .12 ANGLES ±2° .XX = ± .06 FRACTIONS ±1/32 .XXX = ± .03 REMOVE BURRS AND BREAK EDGES .005		CHECKED BY: TP	SCALE: NTS	DESCRIPTION: Saddle Mount, 16" Leg
DO NOT SCALE THIS PRINT		DATE: 06/25/09	MATERIAL: A36	DRAWING TYPE: ASSEMBLY DRAWING
		REVISION: D	FINISH: GALV A123	 WESTCHESTER, IL. 60154 U.S.A.
			WEIGHT: 93.25 LBS	