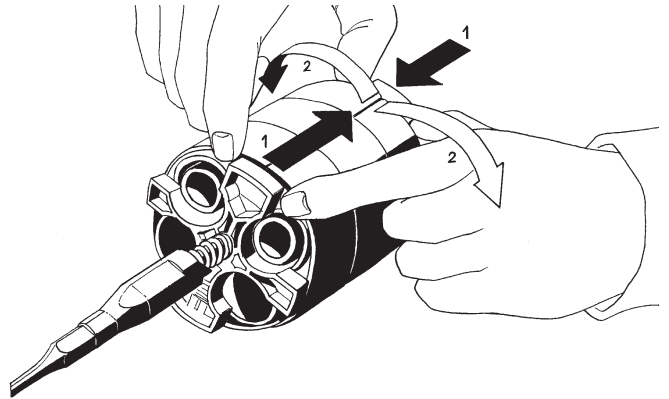


## Toolless Torchless Re-usable Closure System

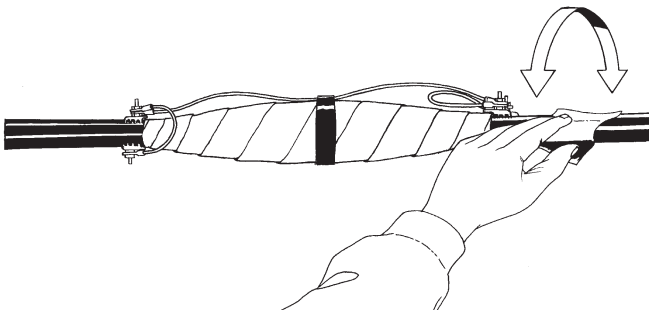
### Kit content

- Central body
- Gel block assembly (2 pieces)
- Port plugs
- Cleaning tissue
- Installation instruction

| Description | Range of cables | Splice dimensions in mm |          |
|-------------|-----------------|-------------------------|----------|
|             |                 | Jacket opening          | Diameter |
| TTRC 050    | Up to 25 p.     | 260                     | 72       |
| TTRC 100    | Up to 100 p.    | 380                     | 72       |
| TTRC 200    | Up to 300 p.    | 510                     | 92       |
| TTRC 250    | Up to 600 p.    | 510                     | 92       |
| TTRC 300    | Up to 600 p.    | 510                     | 126      |

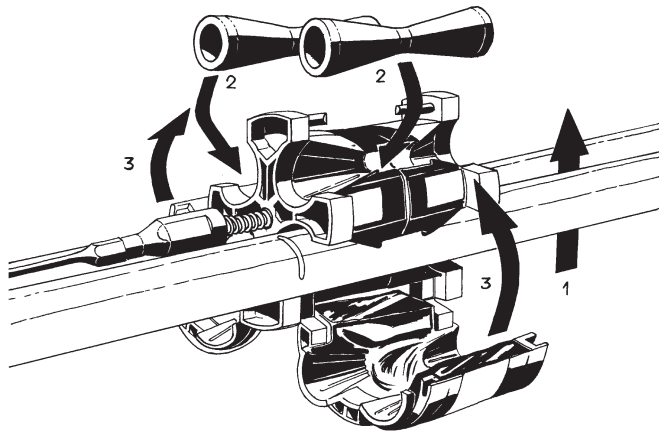


3 Open the gelblocks as shown on the drawing. Make sure the spring of the gelblocks is completely released.

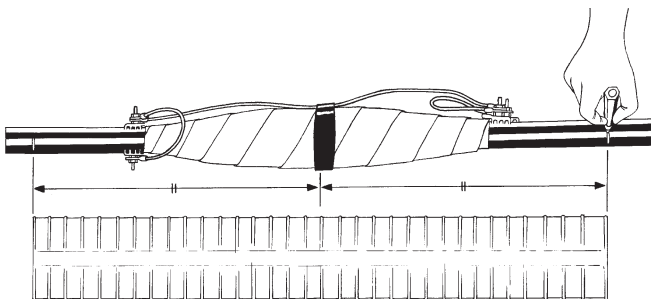


1 Splicing : to be done following local practice. Install the shield continuity wire(s). Clean all the cable jackets with the cleaning tissue over a distance of ca. 150mm.

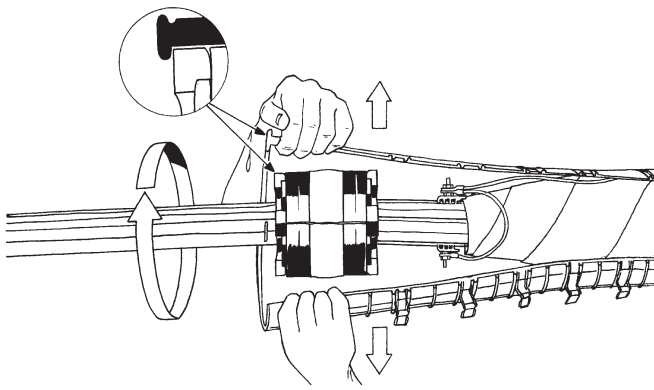
**Note:** shield continuity wire(s) are not included in the kit.



4 Install the gelblocks between the cables - 10mm on the inside of the marks. The trigger should point away from the splice. For size 250 & 300 : largest cables have to be installed in the biggest ports. Install port plugs in non-occupied ports. Close the gelblocks and secure it on its holder.

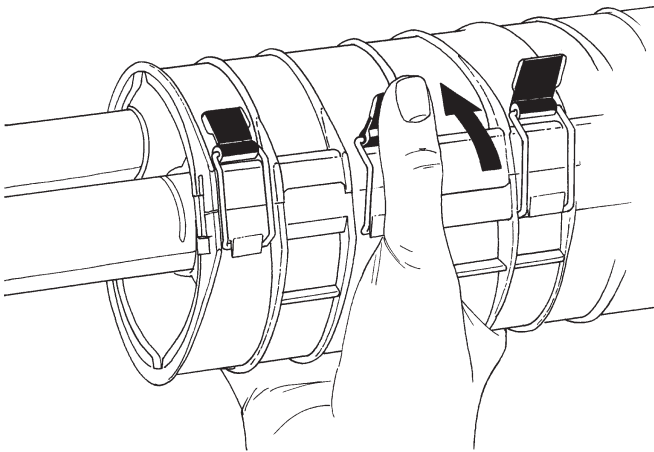


2 Centre the central body over the splice bundle. Mark the ends at both sides on the cable(s).

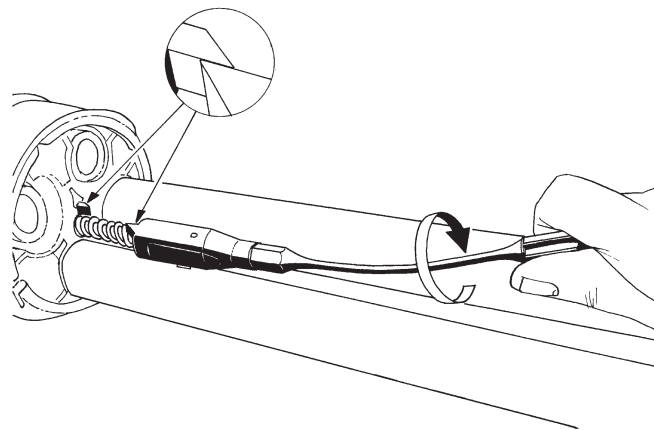


5 Install the central body over the gelblocks. Make sure the gelblocks fit in the ends of the central body.

**Note:** Check that the longitudinal sealing is still fitted correctly in the groove.

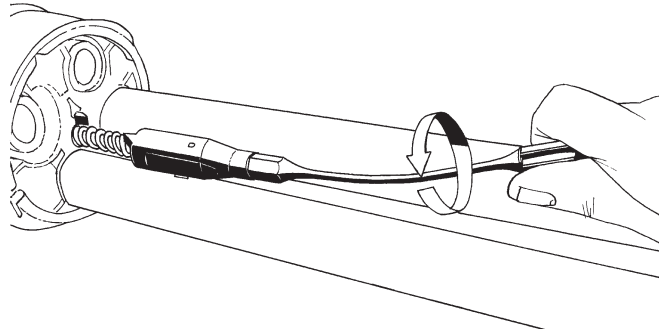


6 Close all the latches.

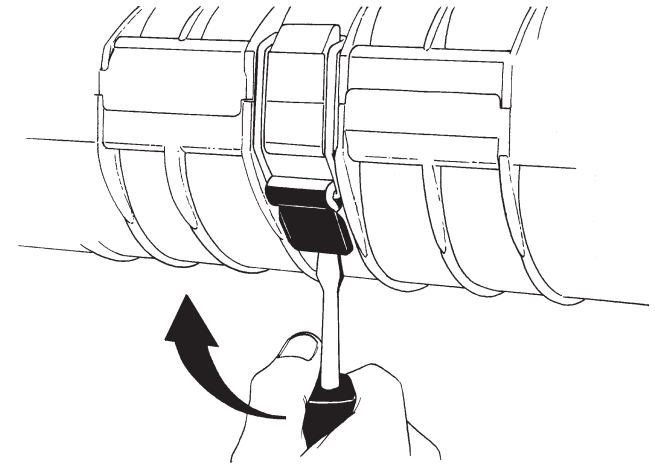


7 Tighten the trigger on each gelblock till the claws touch.

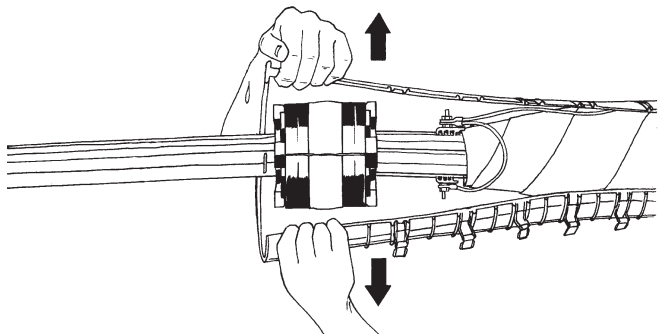
## Re-opening



8 Untighten the trigger of the gelblocks in order to release the compression



9 Release all the latches and open the central body



10 Remove the central body.

## Reclosing

- Repeat all steps starting from 4 to 7.
- In case a cable is added, remove a port plug and replace it by a cable

**Note:** do not forget to clean the added cable.

## Tyco Electronics Raychem bvba

Diestsesteenweg 692  
B-3010 Kessel-Lo, Belgium  
Tel.: 32-16-351 011  
Fax: 32-16-351 697  
www.te.com  
www.telecomnetworks.com

TE (logo) and TE Connectivity are trademarks of the TE Connectivity group of companies and its licensors.

The information given herein, including drawings, illustrations and schematics which are intended for illustration purposes only, is believed to be reliable. However, TE Connectivity makes no warranties as to its accuracy or completeness and disclaims any liability in connection with its use. TE Connectivity's obligations shall only be as set forth in TE Connectivity's Standard Terms and Conditions of Sale for this product and in no case will TE Connectivity be liable for any incidental, indirect or consequential damages arising out of the sale, resale, use or misuse of the product. Users of TE Connectivity products should make their own evaluation to determine the suitability of each such product for the specific application.