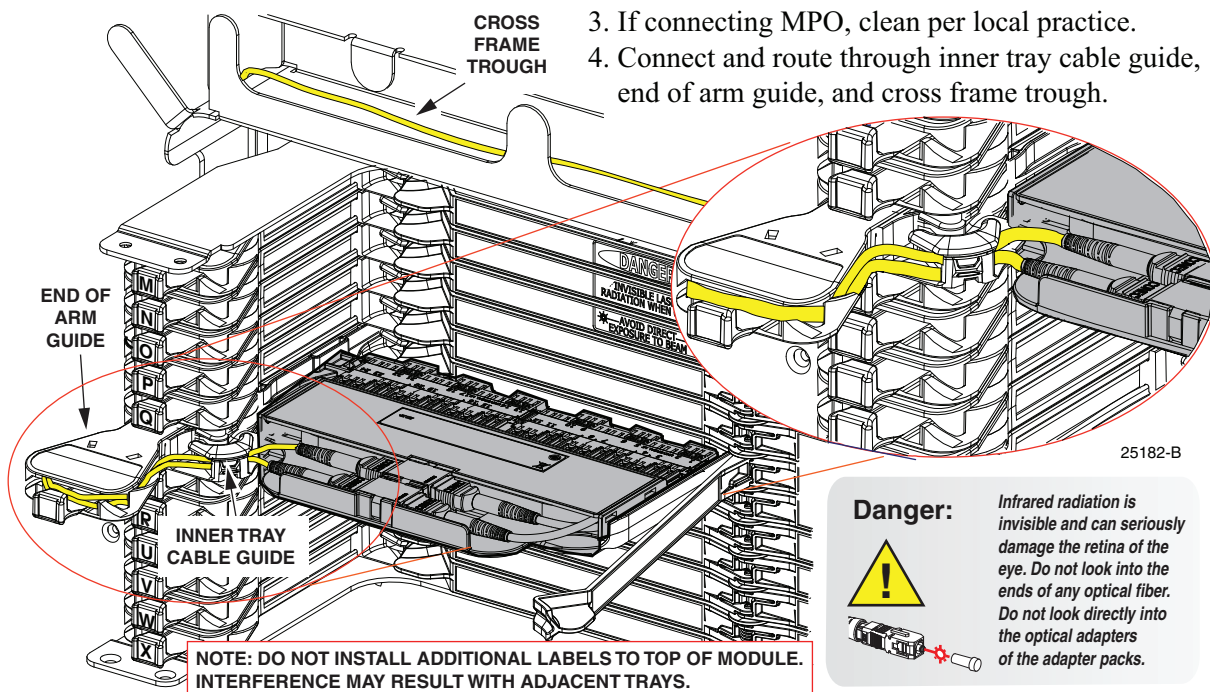
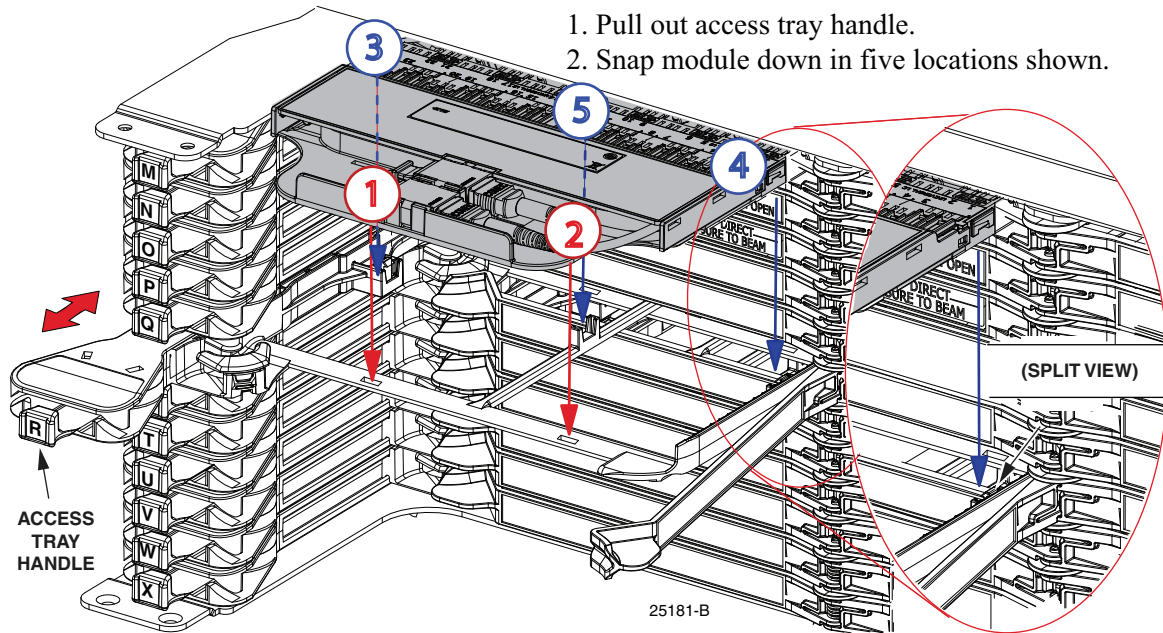
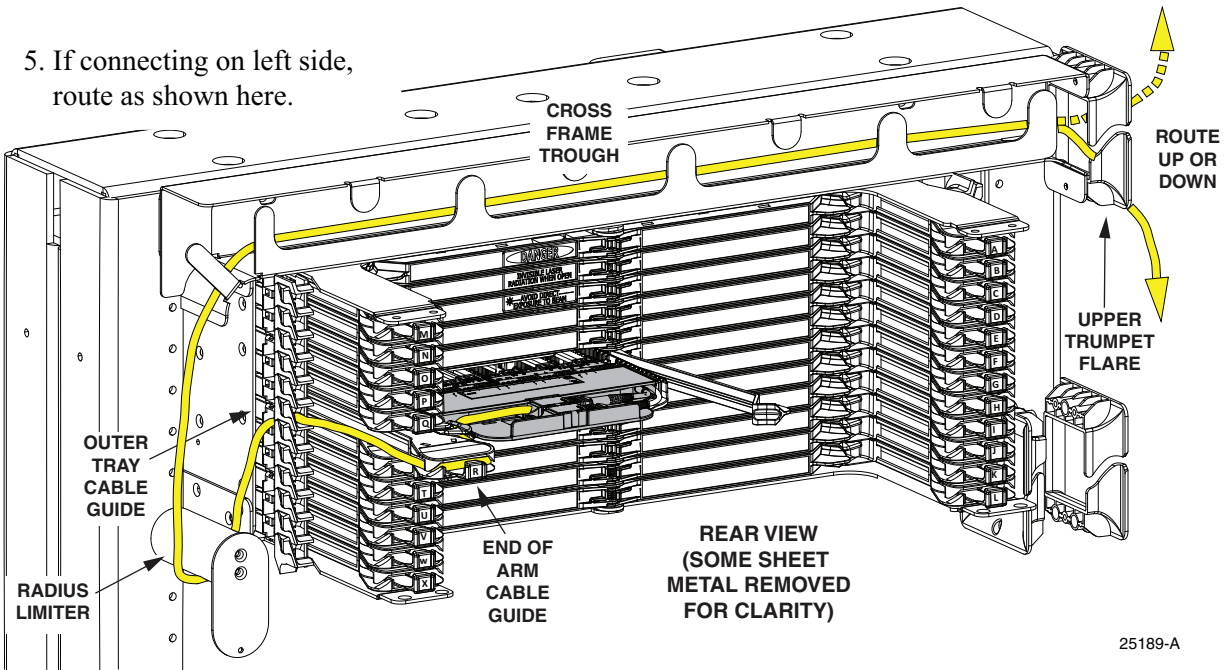


NG4access ODF Platform MPO Module (MPO-MOD)

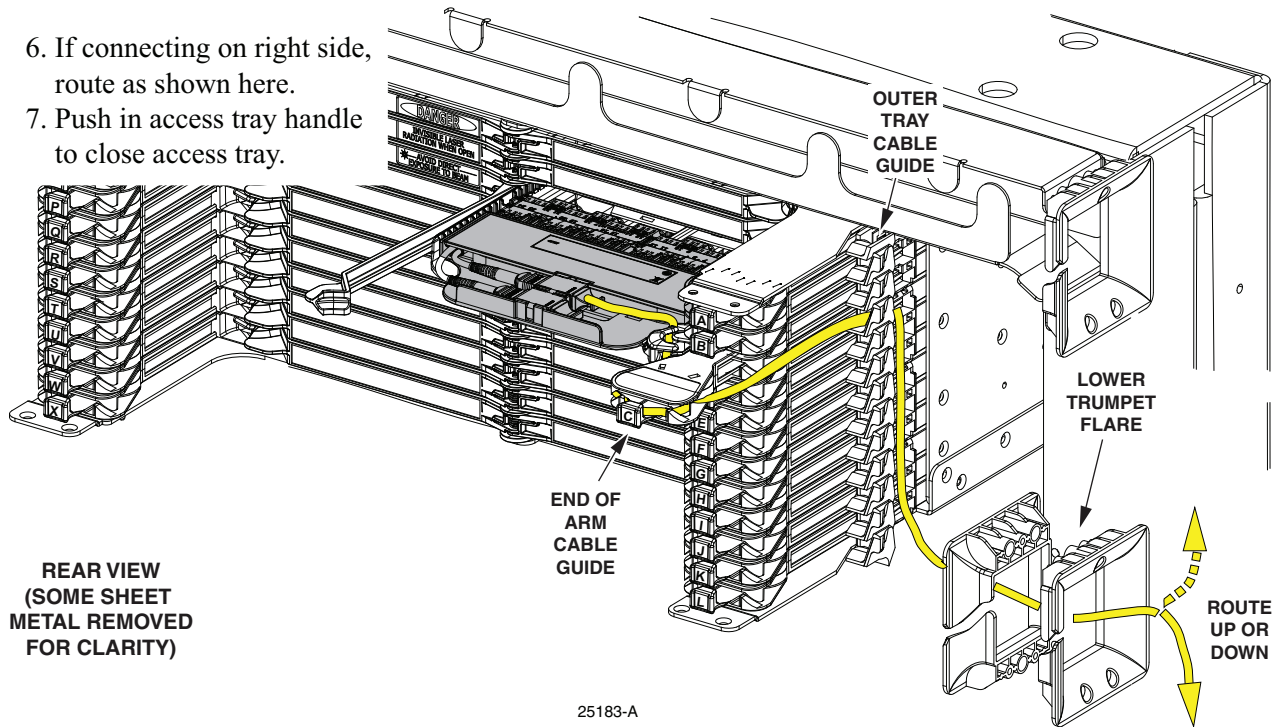
Install the module on the rear of the universal chassis (“left exit” module on left side of chassis, “right exit” on right side). Follow the numbered steps within the illustrations below.



- If connecting on left side, route as shown here.



- If connecting on right side, route as shown here.
- Push in access tray handle to close access tray.



TECHNICAL ASSISTANCE

Contact the **Technical Assistance Center (TAC)** for technical question. Call 800.830.5056 or send an email to TAC.Americas@commscope.com.