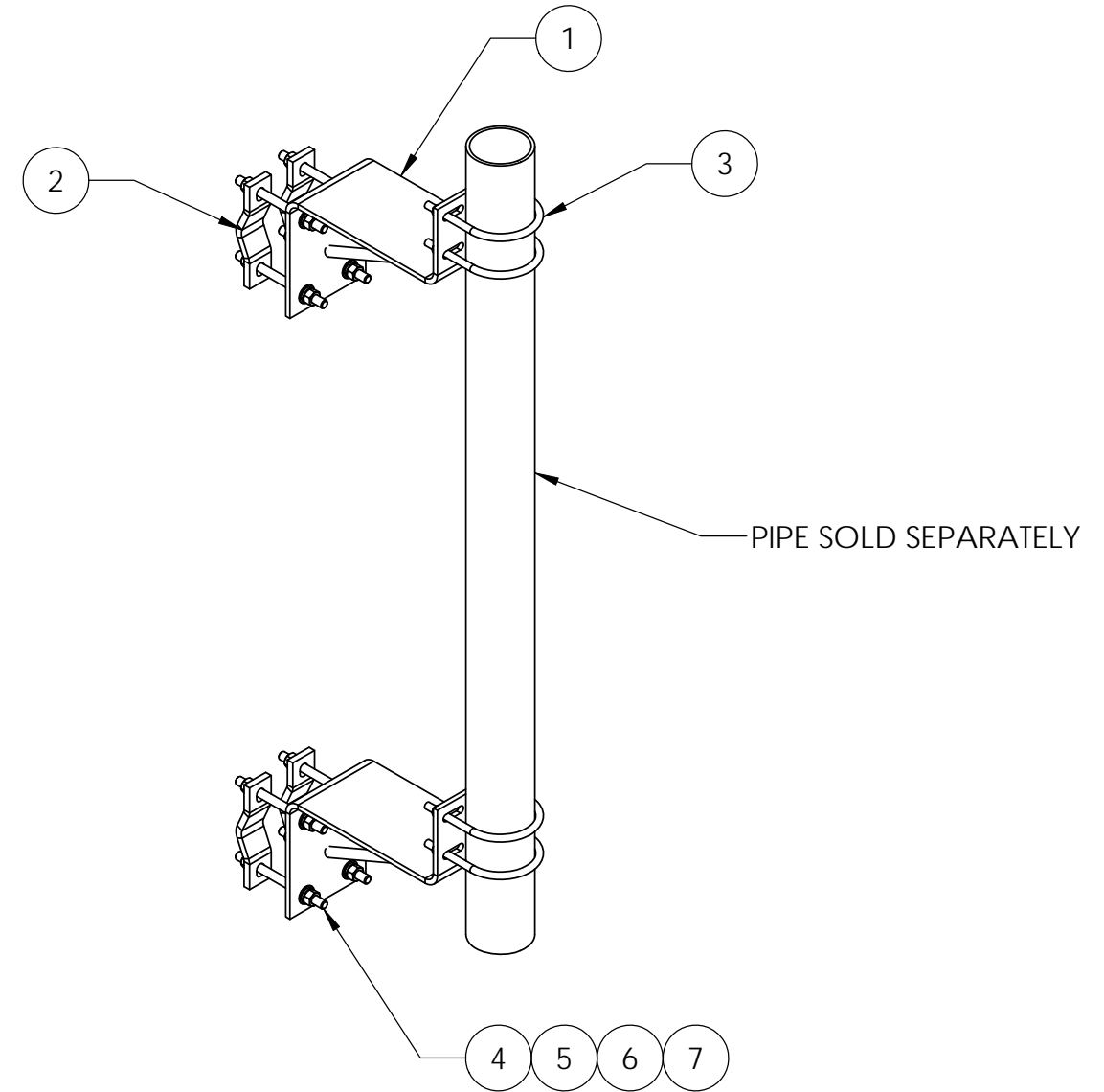
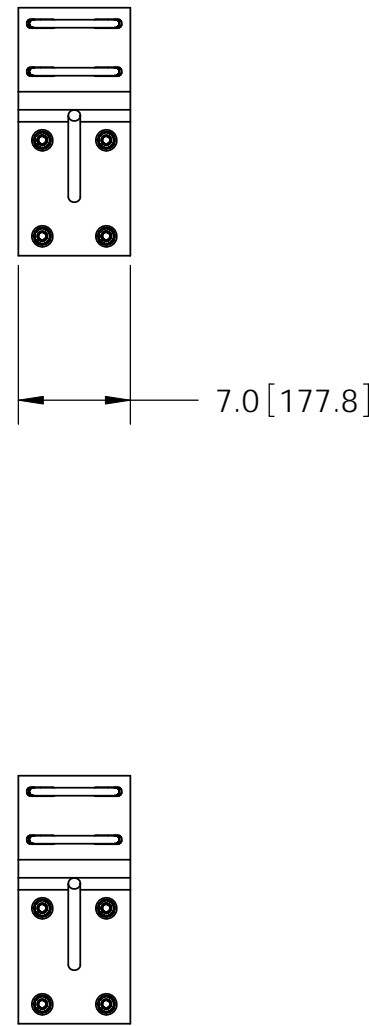
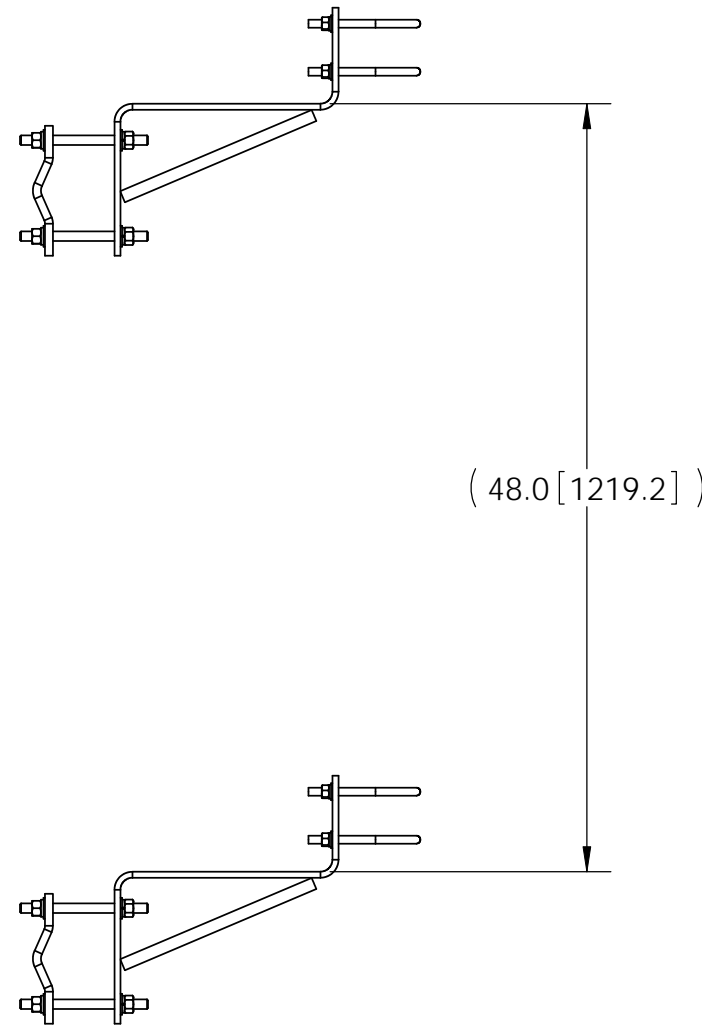
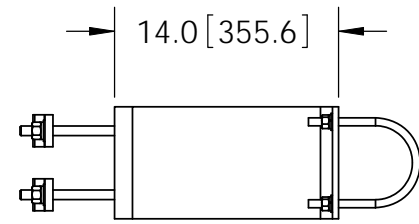



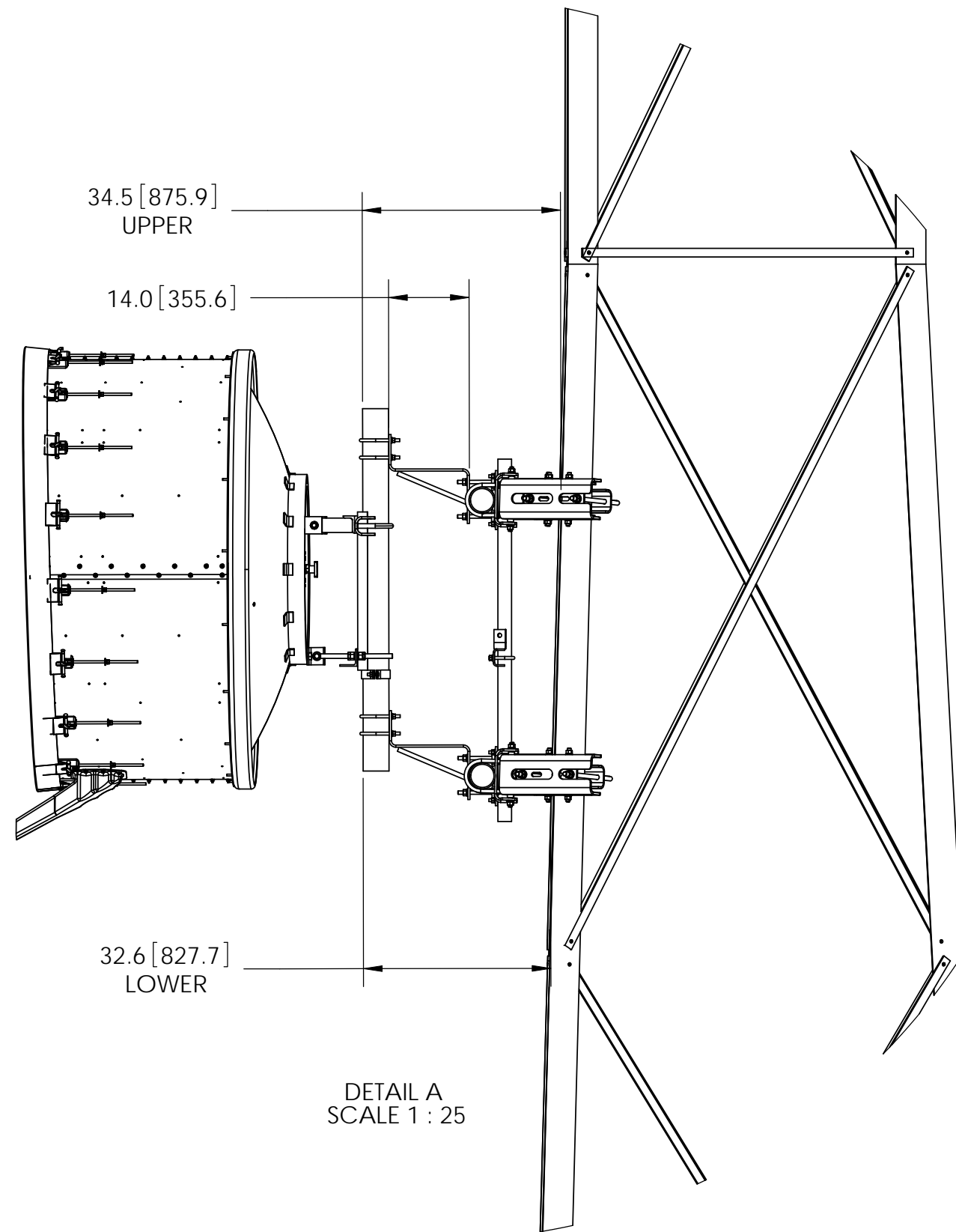
ITEM	PART NO.	DESCRIPTION	QTY.	WEIGHT
1	TFST01	Tower Face Standoff Bracket	2	21.90 LBS
2	DCP10	SMALL CLAMP HALF	4	2.21 LBS
3	GUB-4456	1/2" X 4-5/8" X 6-1/2" GALV U-BOLT	4	0.22 LBS
4	MT-381-8	5/8" X 8" GALV THREADED ROD	8	0.64 LBS
5	GWF-05	5/8" GALV FLAT WASHER	16	0.03 LBS
6	GWL-05	5/8" GALV LOCK WASHER	16	0.03 LBS
7	GN-05	5/8" GALV HEX NUT	16	0.04 LBS

REVISIONS				
REV.	ZONE	DESCRIPTION	BY	DATE
A		INITIAL RELEASE	MSM	10/22/09




NOTES:
1. ALL METRIC DIMENSIONS ARE IN BRACKETS.

<small>These drawings and specifications are the proprietary property of ANDREW CORPORATION and may be used only for the specific purpose authorized in writing by Andrew Corporation.</small> ALL DIMENSIONS ARE IN INCHES U.O.S. TOLERANCES UNLESS OTHERWISE SPECIFIED: .X = ± .12 ANGLES ±2° .XX = ± .06 FRACTIONS ±1/32 .XXX = ± .03 REMOVE BURRS AND BREAK EDGES .005 DO NOT SCALE THIS PRINT	DRAWN BY: MSM	SHEET: 1 of 2	PART NUMBER: TF-ST
	CHECKED BY: TP	SCALE: NTS	DESCRIPTION: Tower Facemount Stand-Off
	DATE: 09/10/09	MATERIAL: A36	DRAWING TYPE: ASSEMBLY DRAWING
	REVISION: A	FINISH: GALV A123 WEIGHT: 64.16 LBS	 WESTCHESTER, IL. 60154 U.S.A.



DETAIL A
SCALE 1 : 25

NOTES:
1. ALL METRIC DIMENSIONS ARE IN BRACKETS.

These drawings and specifications are the proprietary property of ANDREW CORPORATION and may be used only for the specific purpose authorized in writing by Andrew Corporation. ALL DIMENSIONS ARE IN INCHES U.O.S. TOLERANCES UNLESS OTHERWISE SPECIFIED: .X = ± .12 ANGLES ±2° .XX = ± .06 FRACTIONS ±1/32 .XXX = ± .03 REMOVE BURRS AND BREAK EDGES .005 DO NOT SCALE THIS PRINT	DRAWN BY: MSM	SHEET: 2 of 2	PART NUMBER: TF-ST
	CHECKED BY: TP	SCALE: NTS	DESCRIPTION: Tower Layout
	DATE: 09/10/09	MATERIAL: A36, A53	DRAWING TYPE: ASSEMBLY DRAWING
	REVISION: A	FINISH: GALV A123	 WESTCHESTER, IL. 60154 U.S.A.
	WEIGHT: N/A		