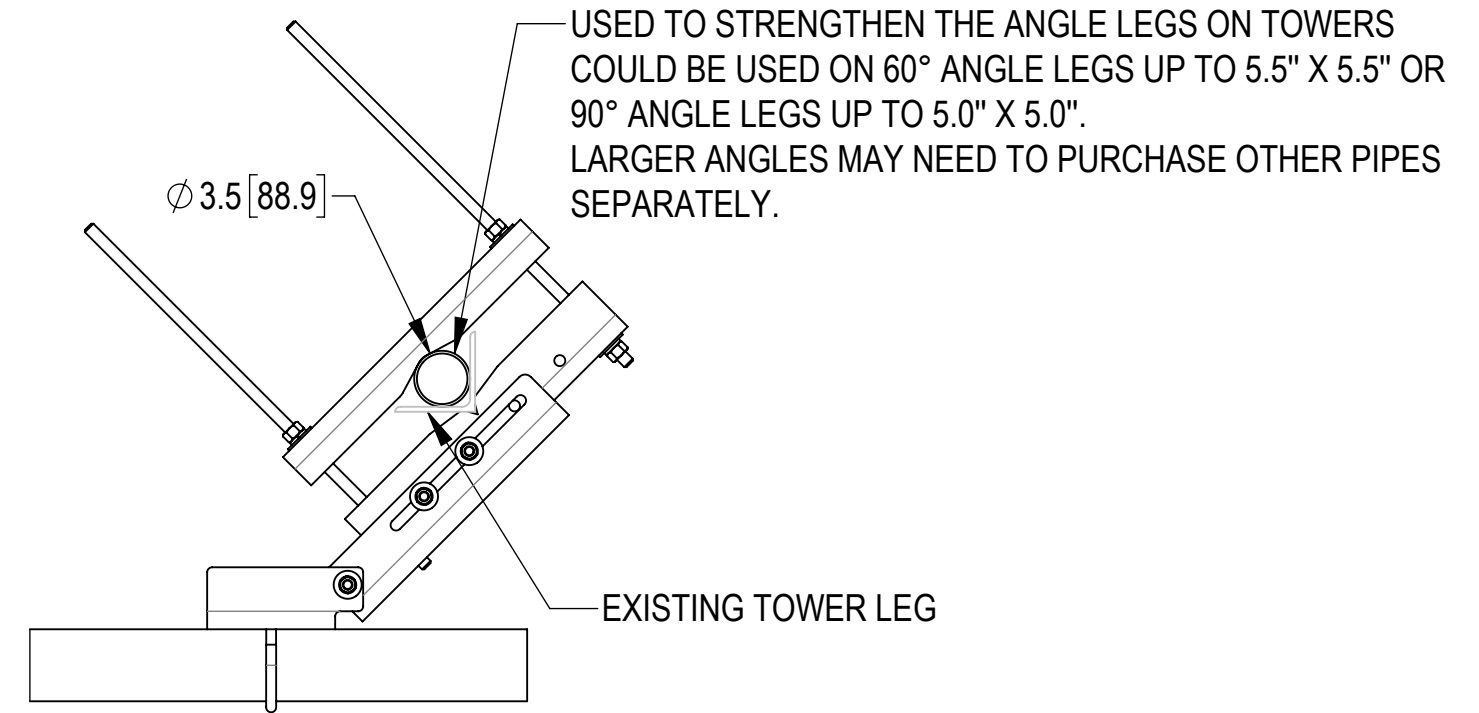
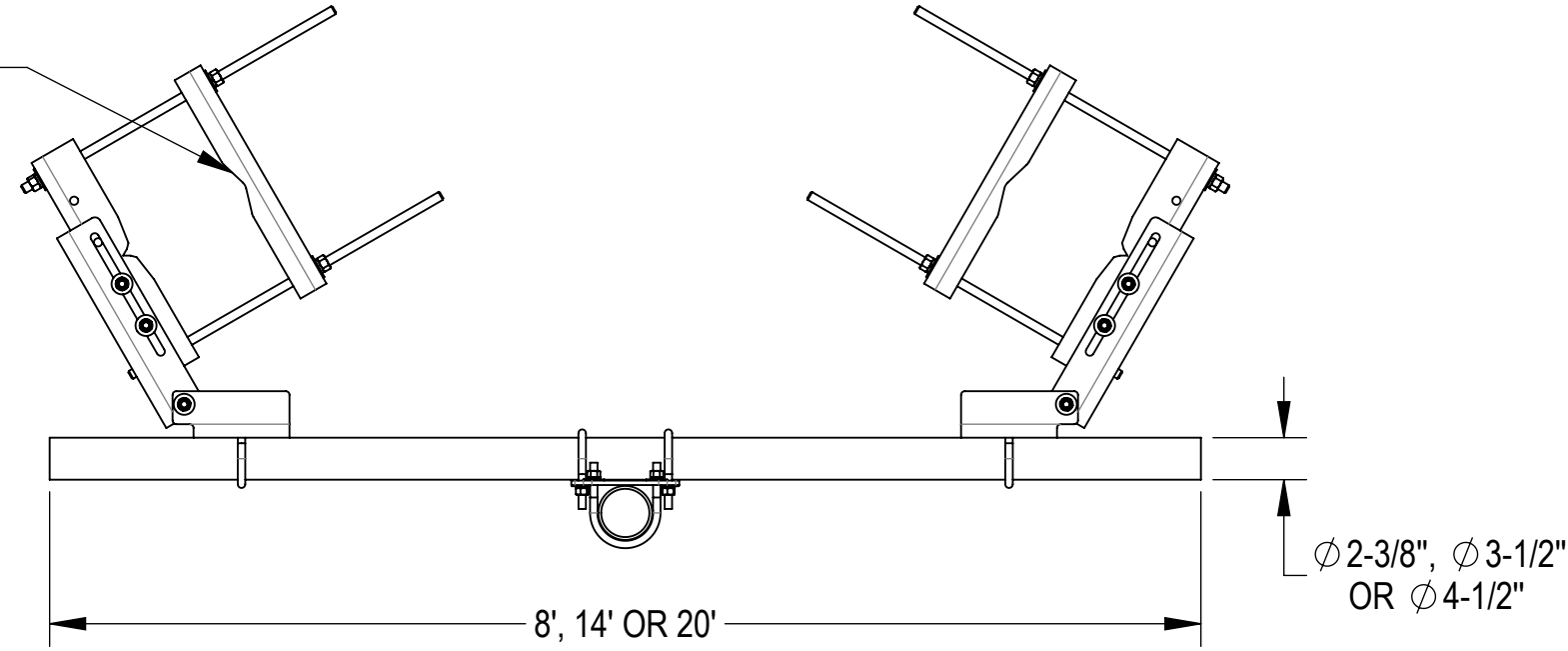


- 1.0 GENERAL NOTES
 - 1.1 ALL METRIC DIMENSIONS ARE IN BRACKETS [X.X]
 - 1.2 ADDITIONAL TFL-M SERIES TABLE SHEET 2.
 - 1.3 FOR PATENT INFO: <https://www.cs-pat.com>
- 2.0 DESIGN NOTES
 - 2.1 UP TO 5% ADDITIONAL HARDWARE INCLUDED.
 - 2.2 ANTENNAS MUST BE POSITIONED EQUALLY SPACED VERTICALLY BETWEEN SPAN OF FACE MOUNTS.
- 3.0 MANUFACTURING/SPECIAL REQUIREMENTS
 - 3.1 TIGHTEN ALL BOLTS SECURING FLAT PLATES BY THE TURN-OF-NUT METHOD. TIGHTEN ALL U-BOLTS USING TURN-OF-NUT METHOD WITH ATTENTION TO LEAVE EQUAL DISTANCE AND EQUAL FORCE ON EACH LEG OF THE U-BOLT.
- 4.0 TEST
- 5.0 PACKAGING
 - 5.1 PACKAGING SHALL MEET COMMSCOPE REQUIREMENTS PER DOCUMENT IS-PL-3005
 - 5.2 PRINTED DOCUMENT TO BE PLACED INSIDE POLYBAG AND THEN IN SHIPPING CONTAINER
 - 5.3 EXTRA HARDWARE MAY BE SUPPLIED, BAGGED AND SHIPPED

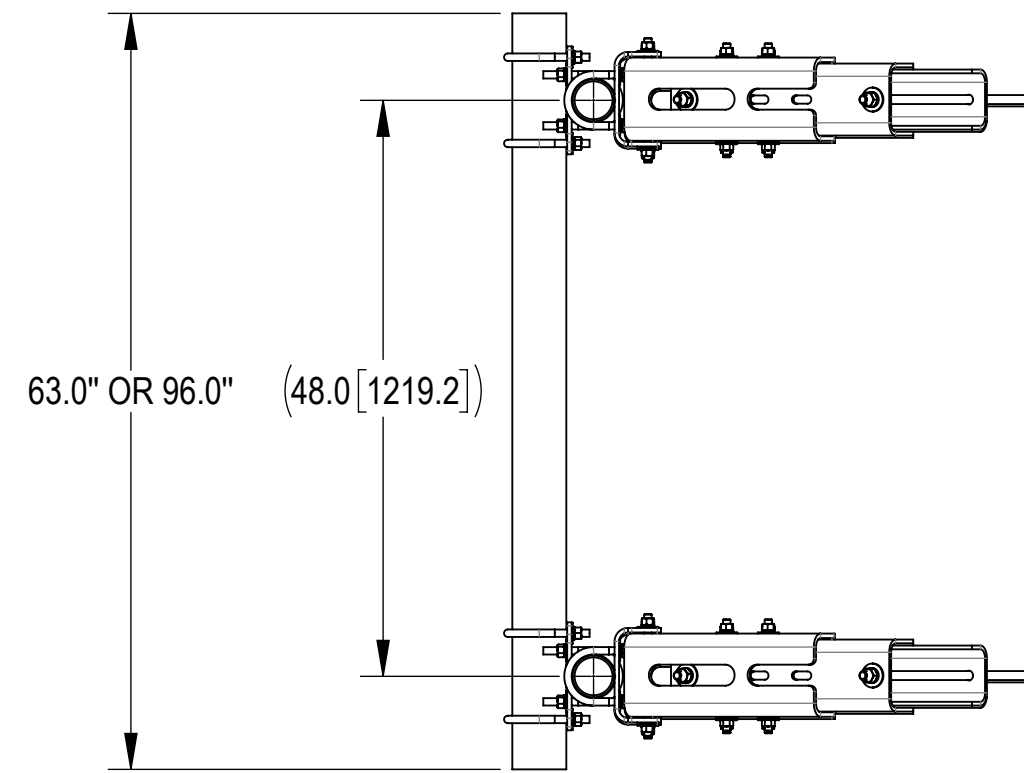
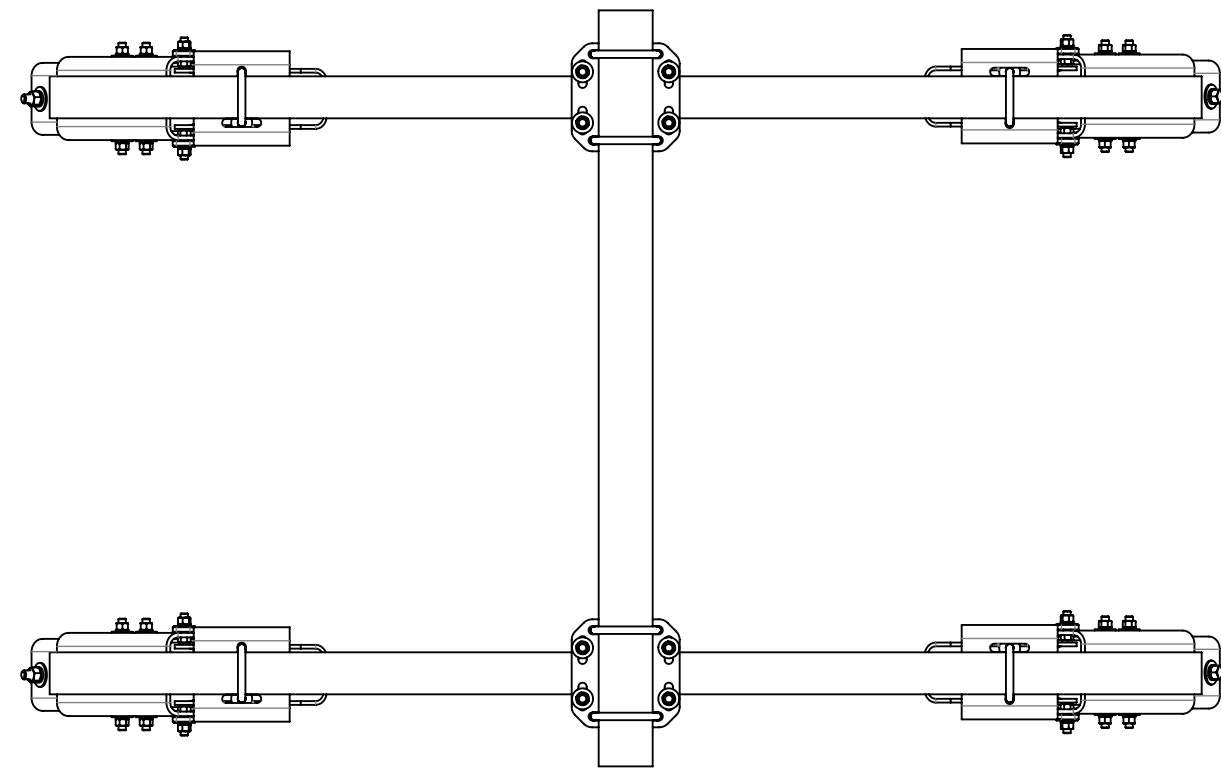
REVISIONS			
REV.	DESCRIPTION	DATE	APPROVED
A	INITIAL RELEASE	MSM 09/23/10	
B	REVISED TABLE ON PAGE TWO	DRR 01/18/11	
C	REDRAWN IN SOLIDWORKS; ADDED MT54760	RY1002 07APR25	WQ1001 50102081AMO

SADDLE RANGE UP TO
 Ø 16" OD LEG
 16" 60° ANGLE LEG
 12" 90° ANGLE LEG



CROP VIEW

REFERENCE: 9° TAPER @ 48" SEPARATION




TFL-M3-8 SHOWN FOR REFERENCE

COMMSCOPE, INC. OF NORTH CAROLINA

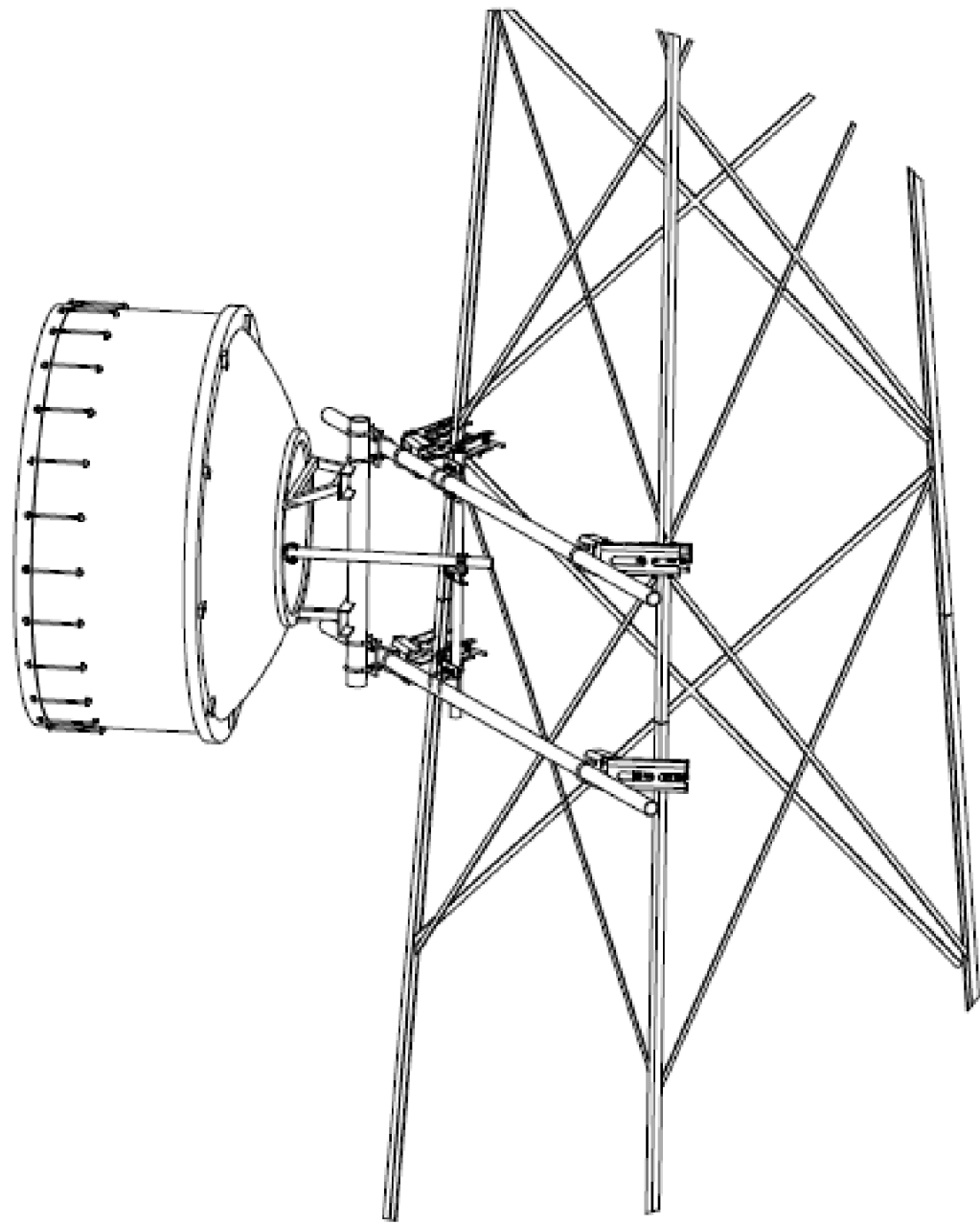
TOLERANCES		SAP MATERIAL MASTER	
1 PLACE .X[X] ± 0.12[3.0]	3 PLACE .XXX[X] ± 0.030[0.8]	SEE TABLE	
2 PLACE .XX[X] ± 0.06[1.5]	ANGLES ± 2°		
FINISH		MATERIAL	
UNLESS OTHERWISE SPECIFIED DIMENSIONS ARE IN INCHES INTERPRET PER ANSI Y 14.5M-1994		TITLE	
CE MSM	04/28/10	LARGE TOWER FACE MOUNT SERIES	
RW RY1002	04/20/2025		
AD YMENG	04/20/2025		
RE RY1002	04/20/2025		
ECN 50102081AMO		SCALE	DOCUMENT NO.
		1:16	TFL-M SERIES
DENSITY	lbs/in³	SHEET	
MASS	lbs	1 OF 4	
VOLUME	in³		
SURFACE AREA	in²		
HEIGHT			
LENGTH			
WIDTH			

4		3															2		1	
ITEM	DESCRIPTION	MT-653-63	MT54760	TFLMHK2	TFLMHK3	TFLMHK4	MT-537-170	MT-538	MT-651-96	MT-547-174	MT-547	MT54796	MT-654-96	MTC987205	TFMSS2HK	TFMSS3HK	TFMSS4HK	MT-650-63	TF-ST	WEIGHT
TFL-M2-14	TOWER FACE MOUNT, 2-3/8" X 14' PIPE	1	2	1	-	-	2	-	-	-	-	-	-	-	-	-	-	-	-	562.36 LBS
TFL-M2-20	TOWER FACE MOUNT, 2-3/8" X 20' PIPE	1	2	1	-	-	-	2	-	-	-	-	-	-	-	-	-	-	-	602.09 LBS
TFL-M2-8	TOWER FACE MOUNT, 2-3/8" X 8' PIPE	1	2	1	-	-	-	-	2	-	-	-	-	-	-	-	-	-	-	526.51 LBS
TFL-M2S-14	POWER FACE MOUNT, 2-3/8" X 14' PIPE	1	2	1	-	-	2	-	-	-	-	-	-	-	1	-	-	1	-	596.80 LBS
TFL-M2S-20	TOWER FACE MOUNT, 2-3/8" X 20' PIPE	1	2	1	-	-	-	2	-	-	-	-	-	-	1	-	-	1	-	636.53 LBS
TFL-M2S-8	TOWER FACE MOUNT, 2-3/8" X 8' PIPE	1	2	1	-	-	-	-	2	-	-	-	-	-	1	-	-	1	-	560.95 LBS
TFL-M2S2-14	TOWER FACE MOUNT, 2-3/8" X 14' PIPE	1	2	1	-	-	2	-	-	-	-	-	-	-	2	-	-	2	-	631.24 LBS
TFL-M2S2-20	TOWER FACE MOUNT, 2-3/8" X 20' PIPE	1	2	1	-	-	-	2	-	-	-	-	-	-	2	-	-	2	-	670.97 LBS
TFL-M2S2-8	TOWER FACE MOUNT, 2-3/8" X 8' PIPE	1	2	1	-	-	-	-	2	-	-	-	-	-	2	-	-	2	-	595.39 LBS
TFL-M3-14	TOWER FACE MOUNT, 3-1/2" X 14' PIPE	1	2	-	1	-	-	-	-	2	-	-	-	-	-	-	-	-	-	654.28 LBS
TFL-M3-20	TOWER FACE MOUNT, 3-1/2" X 20' PIPE	1	2	-	1	-	-	-	-	-	2	-	-	-	-	-	-	-	-	738.08 LBS
TFL-M3-8	TOWER FACE MOUNT, 3-1/2" X 8' PIPE	1	2	-	1	-	-	-	-	-	-	2	-	-	-	-	-	-	-	580.32 LBS
TFL-M3S-14	TOWER FACE MOUNT, 3-1/2" X 14' PIPE	1	2	-	1	-	-	-	-	2	-	-	-	-	-	1	-	1	-	689.30 LBS
TFL-M3S-20	TOWER FACE MOUNT, 3-1/2" X 20' PIPE	1	2	-	1	-	-	-	-	-	2	-	-	-	-	1	-	1	-	773.10 LBS
TFL-M3S-8	TOWER FACE MOUNT, 3-1/2" X 8' PIPE	1	2	-	1	-	-	-	-	-	-	2	-	-	-	1	-	1	-	615.34 LBS
TFL-M3S2-14	TOWER FACE MOUNT, 3-1/2" X 14' PIPE	1	2	-	1	-	-	-	-	2	-	-	-	-	-	2	-	2	-	724.32 LBS
TFL-M3S2-20	TOWER FACE MOUNT, 3-1/2" X 20' PIPE	1	2	-	1	-	-	-	-	-	2	-	-	-	-	2	-	2	-	808.13 LBS
TFL-M3S2-8	TOWER FACE MOUNT, 3-1/2" X 8' PIPE	1	2	-	1	-	-	-	-	-	-	2	-	-	-	2	-	2	-	650.36 LBS
TFL-M4-14	TOWER FACE MOUNT, 4-1/2" X 14' PIPE	-	2	-	-	1	-	-	-	-	-	-	1	2	-	-	-	-	-	830.46 LBS
TFL-M4-8	TOWER FACE MOUNT, 4-1/2" X 8' PIPE	-	2	-	-	1	-	-	-	-	-	-	3	-	-	-	-	-	-	694.54 LBS
TFL-M4S-14	TOWER FACE MOUNT, 4-1/2" X 14' PIPE	-	2	-	-	1	-	-	-	-	-	-	1	2	-	-	1	1	-	875.14 LBS
TFL-M4S-8	TOWER FACE MOUNT, 4-1/2" X 8' PIPE	-	2	-	-	1	-	-	-	-	-	-	3	-	-	-	1	1	-	739.22 LBS
TFL-M4S2-14	TOWER FACE MOUNT, 4-1/2" X 14' PIPE	-	2	-	-	1	-	-	-	-	-	-	1	2	-	-	2	2	-	919.82 LBS
TFL-M4S2-8	TOWER FACE MOUNT, 4-1/2" X 8' PIPE	-	2	-	-	1	-	-	-	-	-	-	3	-	-	-	2	2	-	783.90 LBS
TFL-ML2-14	TOWER FACE MOUNT, 2-3/8" X 14' PIPE	1	2	1	-	-	2	-	-	-	-	-	-	-	-	-	-	-	1	601.73 LBS
TFL-ML2-20	TOWER FACE MOUNT, 2-3/8" X 20' PIPE	1	2	1	-	-	-	2	-	-	-	-	-	-	-	-	-	-	1	641.46 LBS
TFL-ML2-8	TOWER FACE MOUNT, 2-3/8" X 8' PIPE	1	2	1	-	-	-	-	2	-	-	-	-	-	-	-	-	-	1	565.88 LBS
TFL-ML2S-14	TOWER FACE MOUNT, 2-3/8" X 14' PIPE	1	2	1	-	-	2	-	-	-	-	-	-	-	1	-	-	1	1	636.17 LBS
TFL-ML2S-20	TOWER FACE MOUNT, 2-3/8" X 20' PIPE	1	2	1	-	-	-	2	-	-	-	-	-	-	1	-	-	1	1	675.90 LBS
TFL-ML2S-8	TOWER FACE MOUNT, 2-3/8" X 8' PIPE	1	2	1	-	-	-	-	2	-	-	-	-	-	1	-	-	1	1	600.32 LBS
TFL-ML2S2-14	TOWER FACE MOUNT, 2-3/8" X 14' PIPE	1	2	1	-	-	2	-	-	-	-	-	-	-	2	-	-	2	1	670.62 LBS
TFL-ML2S2-20	TOWER FACE MOUNT, 2-3/8" X 20' PIPE	1	2	1	-	-	-	2	-	-	-	-	-	-	2	-	-	2	1	710.34 LBS
TFL-ML2S2-8	TOWER FACE MOUNT, 2-3/8" X 8' PIPE	1	2	1	-	-	-	-	2	-	-	-	-	-	2	-	-	2	1	634.76 LBS
TFL-ML3-14	TOWER FACE MOUNT, 3-1/2" X 14' PIPE	1	2	-	1	-	-	-	-	2	-	-	-	-	-	-	-	-	1	692.04 LBS
TFL-ML3-20	TOWER FACE MOUNT, 3-1/2" X 20' PIPE	1	2	-	1	-	-	-	-	-	2	-	-	-	-	-	-	-	1	775.84 LBS
TFL-ML3-8	TOWER FACE MOUNT, 3-1/2" X 8' PIPE	1	2	-	1	-	-	-	-	-	-	2	-	-	-	-	-	-	1	618.07 LBS
TFL-ML3S-14	TOWER FACE MOUNT, 3-1/2" X 14' PIPE	1	2	-	1	-	-	-	-	2	-	-	-	-	-	1	-	1	1	727.06 LBS
TFL-ML3S-20	TOWER FACE MOUNT, 3-1/2" X 20' PIPE	1	2	-	1	-	-	-	-	-	2	-	-	-	-	1	-	1	1	810.86 LBS
TFL-ML3S-8	TOWER FACE MOUNT, 3-1/2" X 8' PIPE	1	2	-	1	-	-	-	-	-	-	2	-	-	-	1	-	1	1	653.10 LBS
TFL-ML3S2-14	TOWER FACE MOUNT, 3-1/2" X 14' PIPE	1	2	-	1	-	-	-	-	2	-	-	-	-	-	2	-	2	1	762.08 LBS
TFL-ML3S2-20	TOWER FACE MOUNT, 3-1/2" X 20' PIPE	1	2	-	1	-	-	-	-	-	2	-	-	-	-	2	-	2	1	845.88 LBS
TFL-ML3S2-8	TOWER FACE MOUNT, 3-1/2" X 8' PIPE	1	2	-	1	-	-	-	-	-	-	2	-	-	-	2	-	2	1	688.12 LBS
TFL-ML4-14	TOWER FACE MOUNT, 4-1/2" X 14' PIPE	-	2	-	-	1	-	-	-	-	-	-	1	2	-	-	-	-	1	867.67 LBS
TFL-ML4-8	TOWER FACE MOUNT, 4-1/2" X 8' PIPE	-	2	-	-	1	-	-	-	-	-	-	3	-	-	-	-	-	1	731.75 LBS
TFL-ML4S-14	TOWER FACE MOUNT, 4-1/2" X 14' PIPE	-	2	-	-	1	-	-	-	-	-	-	1	2	-	-	1	1	1	912.35 LBS
TFL-ML4S-8	TOWER FACE MOUNT, 4-1/2" X 8' PIPE	-	2	-	-	1	-	-	-	-	-	-	3	-	-	-	1	1	1	776.43 LBS
TFL-ML4S2-14	TOWER FACE MOUNT, 4-1/2" X 14' PIPE	-	2	-	-	1	-	-	-	-	-	-	1	2	-	-	2	2	1	957.03 LBS
TFL-ML4S2-8	TOWER FACE MOUNT, 4-1/2" X 8' PIPE	-	2	-	-	1	-	-	-	-	-	-	3	-	-	-	2	2	1	821.12 LBS

COMMSCOPE, INC. OF NORTH CAROLINA				
TITLE LARGE TOWER FACE MOUNT SERIES				
SIZE C	SCALE 1:12	DOCUMENT NO. TFL-M SERIES		
		DRAWING		SHEET
		VERSION 00	STATUS RE	REVISION C
				2 OF 4

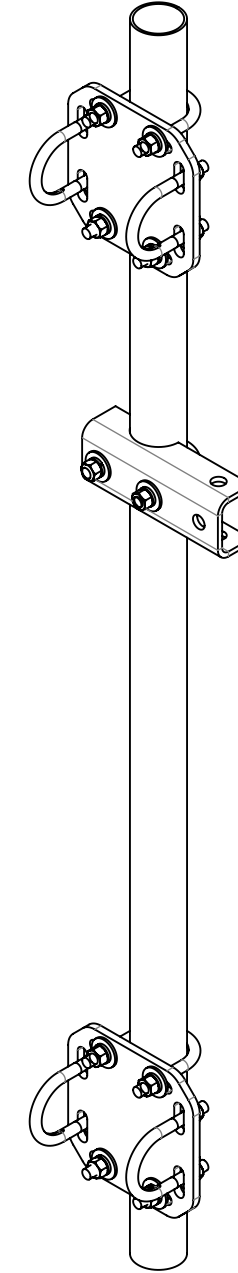
DISH DIAMETER TO TOWER FACE MOUNT CHART

DISH DIAMETER	TOWER FACE MOUNT							
	TFL-M2-8	TFL-M2-14	TFL-M2-20	TFL-M3-8	TFL-M3-14	TFL-M3-20	TFL-M4-8	TFL-M4-14
2' (0.6m)	X	X	X	X	X	X	X	X
4' (1.2m)	X	X	X	X	X	X	X	X
6' (1.8m)	X	-	-	X	X	X	X	X
8' (2.4m)	-	-	-	X	X	X	X	X
10' (3.1m)	-	-	-	X	X	X	X	X
12' (3.7m)	-	-	-	X	X	-	-	X
15' (4.6m)	-	-	-	-	-	-	X	-



OPTIONAL TOWER FACE MOUNT STRUT SUPPORTS

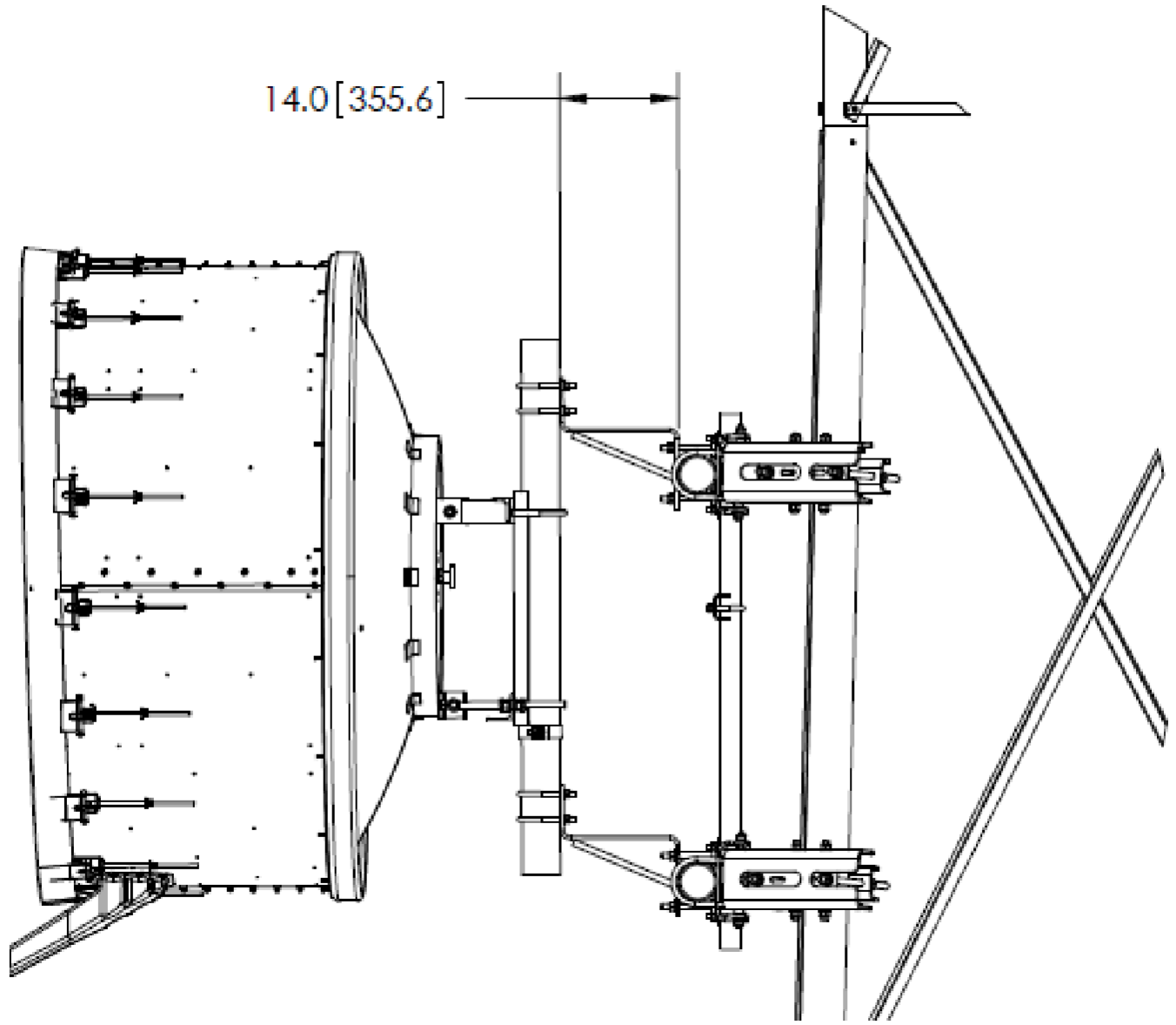
PART NO	DESCRIPTION	TFL-M SERIES
TF-MSS-2	TOWER FACE MOUNT STRUT SUPPORT 2-3/8"OD X 2-3/8"OD	TFL-M2-XX / TFL-ML2-XX
TF-MSS-3	TOWER FACE MOUNT STRUT SUPPORT 2-3/8"OD X 3-1/2"OD	TFL-M3-XX / TFL-ML3-XX
TF-MSS-4	TOWER FACE MOUNT STRUT SUPPORT 2-3/8"OD X 4-1/2"OD	TFL-M4-XX / TFL-ML4-XX



NOTE: CONSULT FACTORY/DISTRIBUTOR FOR CORRECT ASSEMBLY.

COMMSCOPE, INC. OF NORTH CAROLINA				
TITLE LARGE TOWER FACE MOUNT SERIES				
SIZE C	SCALE 1:8	DOCUMENT NO. TFL-M SERIES		
DRAWING		VERSION	STATUS	REVISION
		00	RE	C
				SHEET 3 OF 4

OPTIONAL TF-ST
TOWER FACE MOUNT STAND-OFF



COMMSCOPE, INC. OF NORTH CAROLINA				
TITLE LARGE TOWER FACE MOUNT SERIES				
SIZE C	SCALE 1:7	DOCUMENT NO. TFL-M SERIES		
		DRAWING		SHEET
		VERSION	STATUS	REVISION
		00	RE	C
				4 OF 4

4

3

2

1

D

D

C

C

B

B

A

A

4

3

2

1