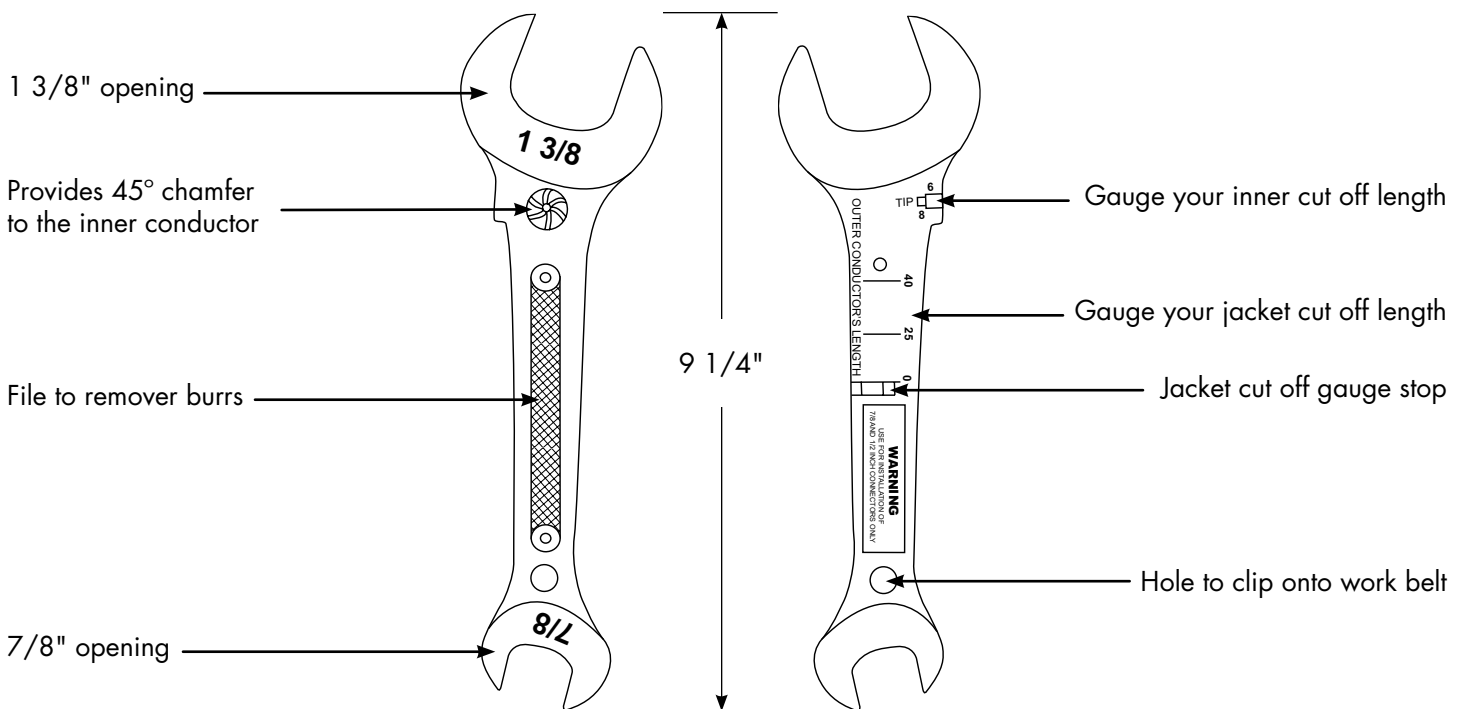


Combination Tool for 7/8" and 1/2" cables

The Andrew Combination Tool is a multi-function device which combines five Andrew preparation tools into one convenient unit.

Installers can significantly reduce cable preparation time and expense on the job site by having the tools they need readily available. The Combination tool assist in the attachment of 7/8" and 1/2" connectors to coaxial cable so every job is done consistently and with the highest quality possible.



Part number: CT-7812
#45 steel, black oxide finish



One Company. A World of Solutions.

Andrew Corporation
3 Westbrook Corporate Center
Suite 900
Westchester, IL USA 60154

Customer Support Center
From North America
Telephone: 1-800-255-1479
Fax: 1-800-349-5444

International
Telephone: +1-708-873-2307
Fax: +1-708-349-5444
Internet: www.andrew.com

All designs, specifications and availabilities of products and services presented in this bulletin are subject to change without notice.

Bulletin TP-101851-EN (02/07)
© 2007 Andrew Corporation, Westchester, IL 60154 USA