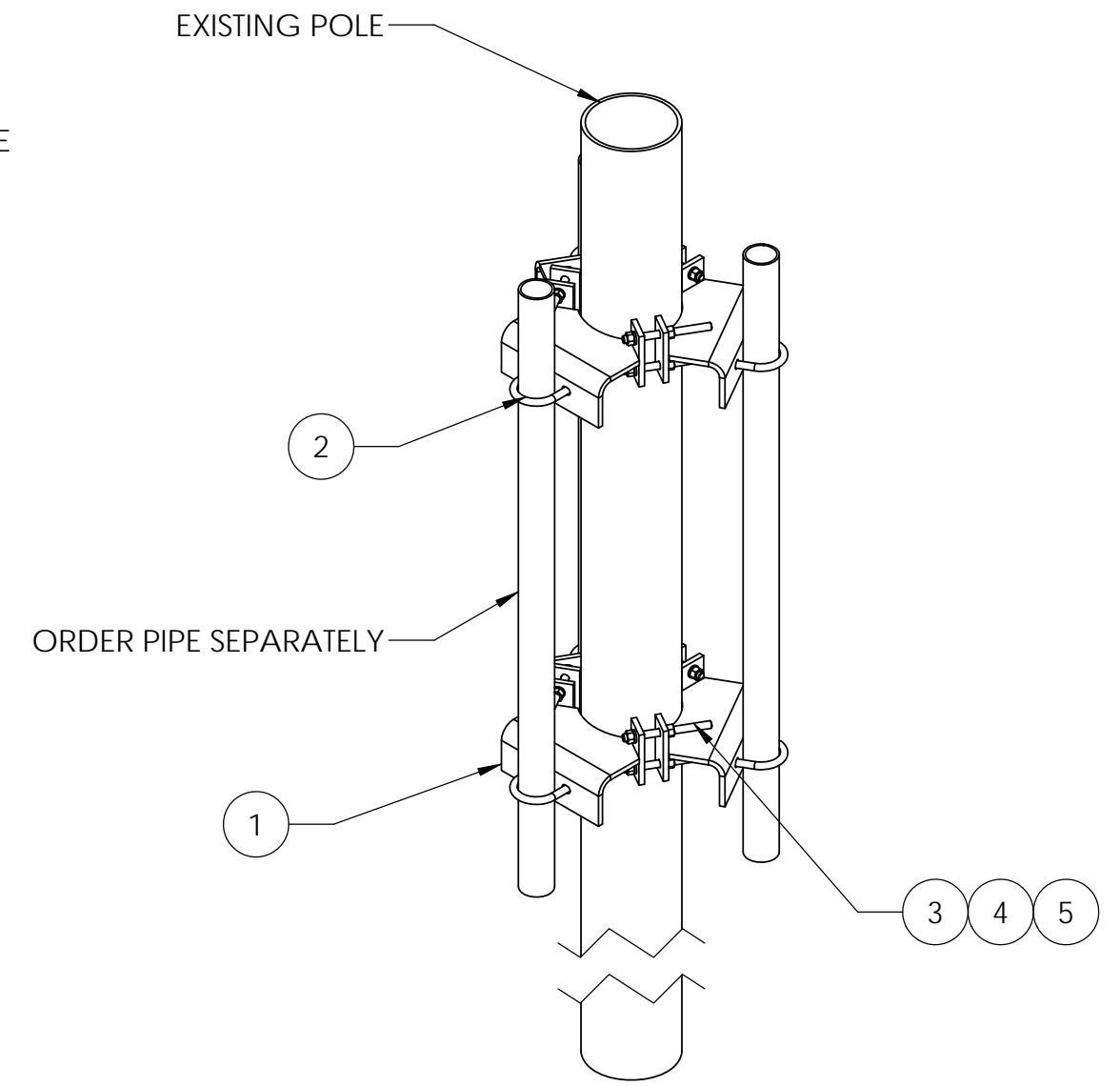
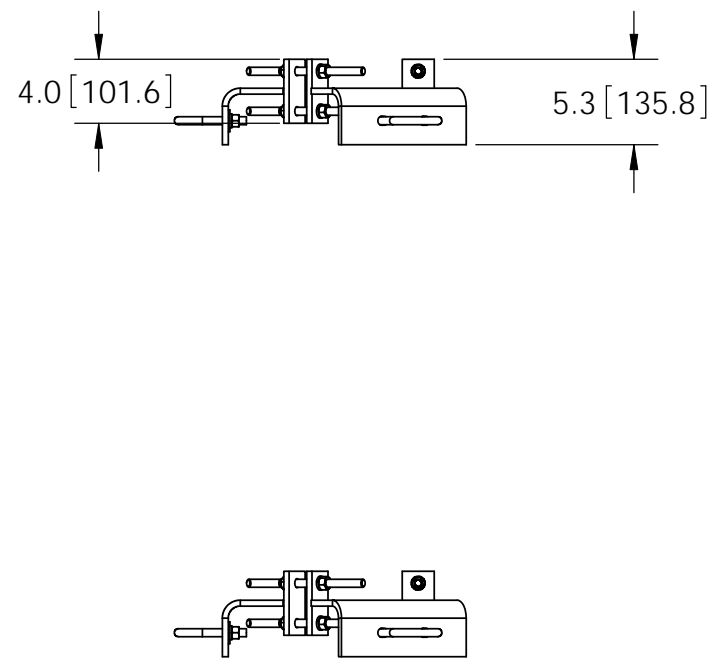
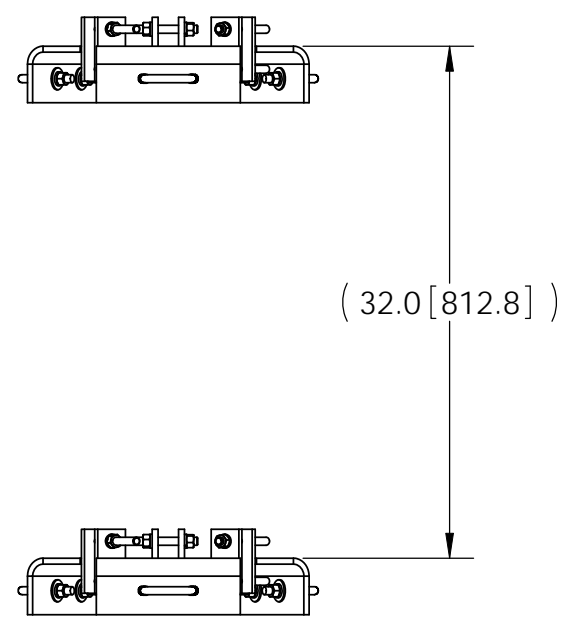
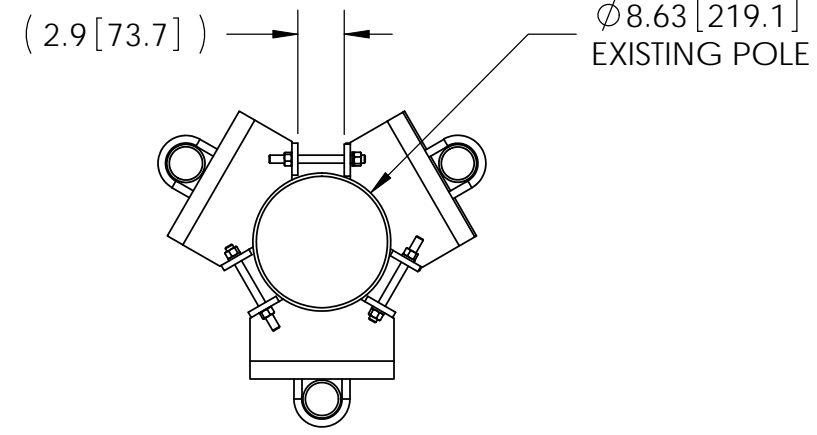
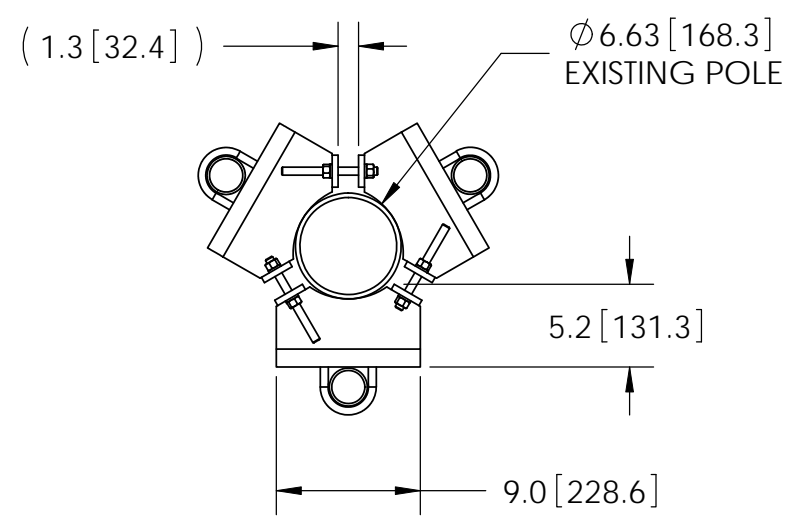



ITEM	PART NO.	DESCRIPTION	QTY.	WEIGHT
1	TPMSC6801	6"-8" Antenna Pipe Mounting Bracket	6	8.36 LBS
2	GUB-4240	1/2" X 2-1/2" X 4" GALV U-BOLT	6	0.56 LBS
3	MT-379-6	1/2" X 6" GALV THREADED ROD	12	0.33 LBS
4	GWL-04	1/2" GALV LOCK WASHER	24	0.00 LBS
5	GN-04	1/2" GALV HEX NUT	24	0.04 LBS

REVISIONS				
REV.	ZONE	DESCRIPTION	BY	DATE
A		INITIAL RELEASE	MSM	08/25/09
B		ADDED PIPE DIAMETER NOTE	DRR	02/27/13



- NOTES:
- ALL METRIC DIMENSIONS ARE IN BRACKETS.
 - 2-3/8" OD PIPE ORDERED SEPARATELY.
 - FITS POLE DIAMETER 5.5" - 9.5"

<small>These drawings and specifications are the proprietary property of ANDREW CORPORATION and may be used only for the specific purpose authorized in writing by Andrew Corporation.</small> ALL DIMENSIONS ARE IN INCHES U.O.S. TOLERANCES UNLESS OTHERWISE SPECIFIED: .X = ± .12 ANGLES ±2° .XX = ± .06 FRACTIONS ±1/32 .XXX = ± .03 REMOVE BURRS AND BREAK EDGES .005 DO NOT SCALE THIS PRINT	DRAWN BY: MSM	SHEET: 1 of 1	PART NUMBER: TP-MSC-68
	CHECKED BY: TP	SCALE: NTS	DESCRIPTION: Multi-Sector Cluster Mount, 6"-8" OD
	DATE: 07/31/09	MATERIAL: A36	DRAWING TYPE: ASSEMBLY DRAWING
	REVISION: B	FINISH: GALV A123	 WESTCHESTER, IL. 60154 U.S.A.
		WEIGHT: 59.81 LBS	