

4

3

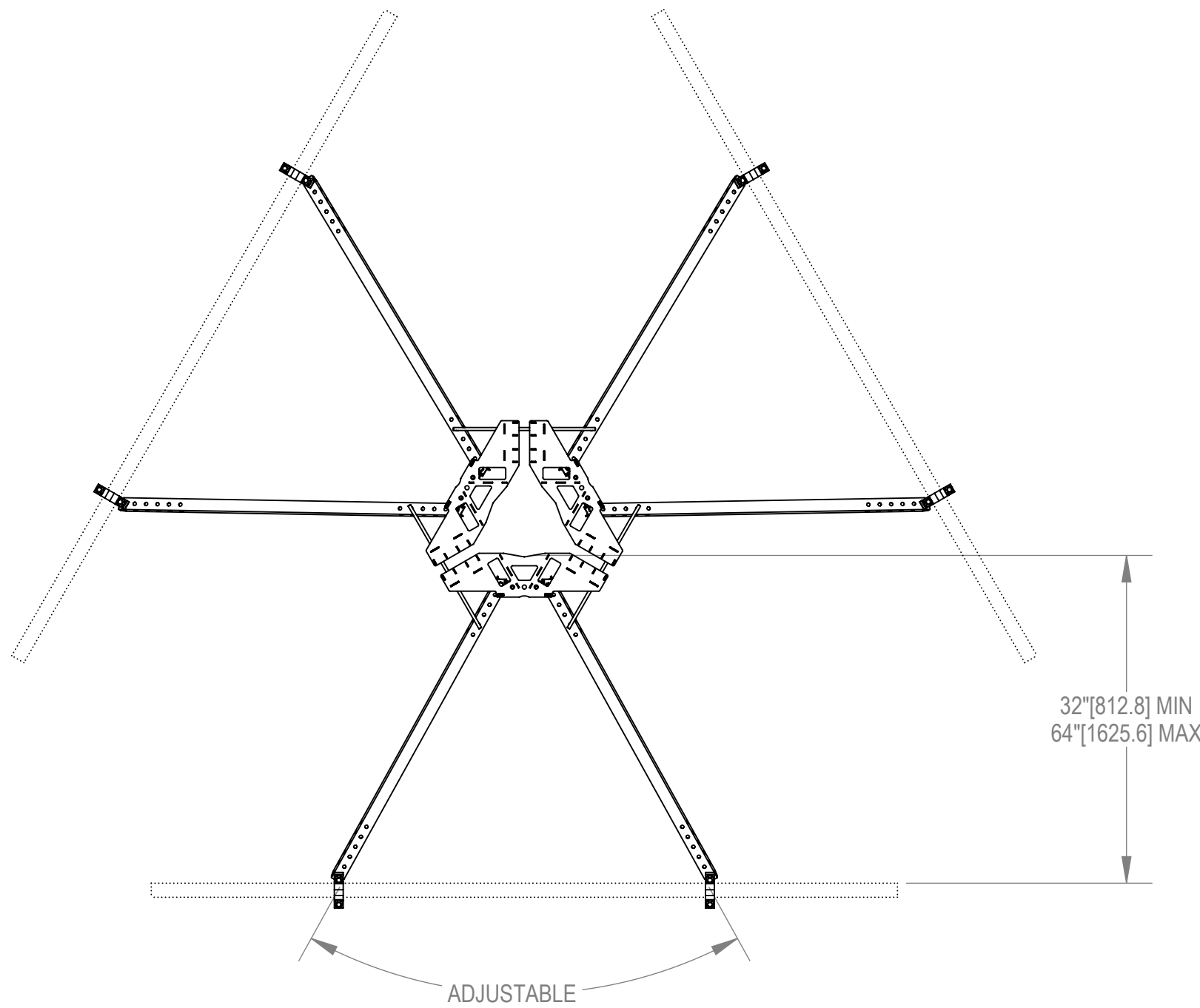
2

1

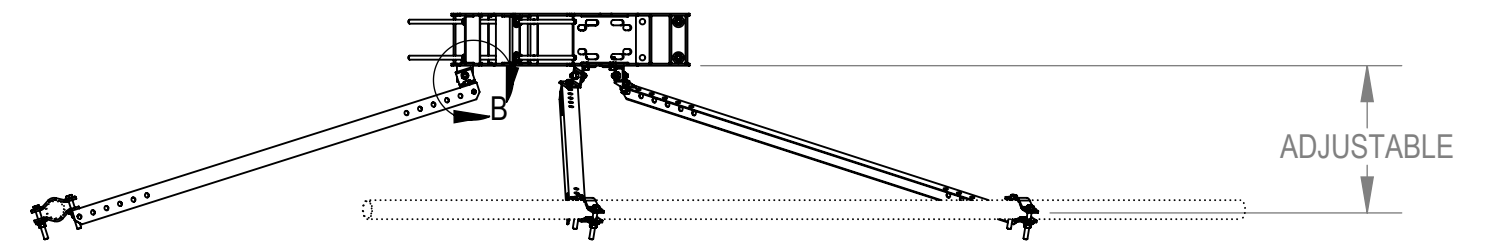
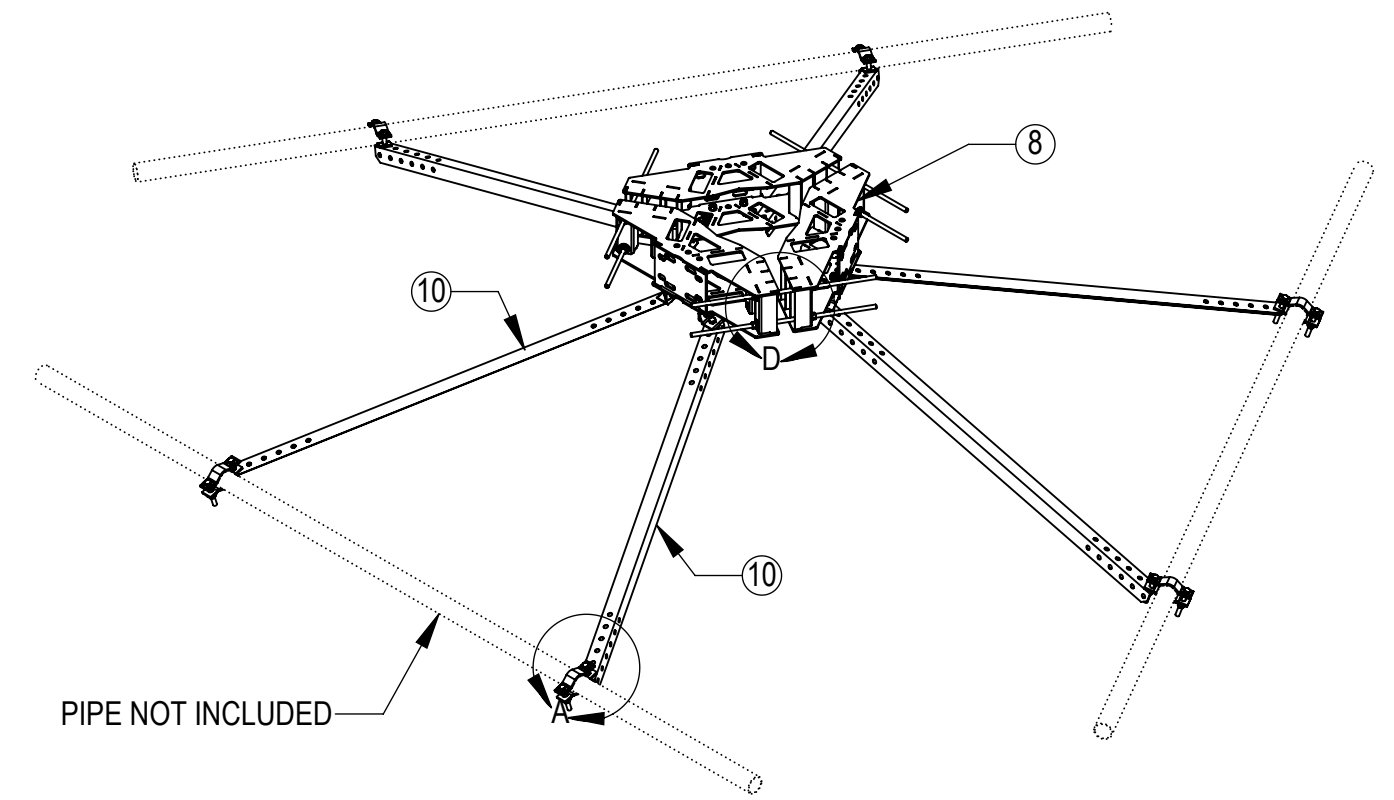
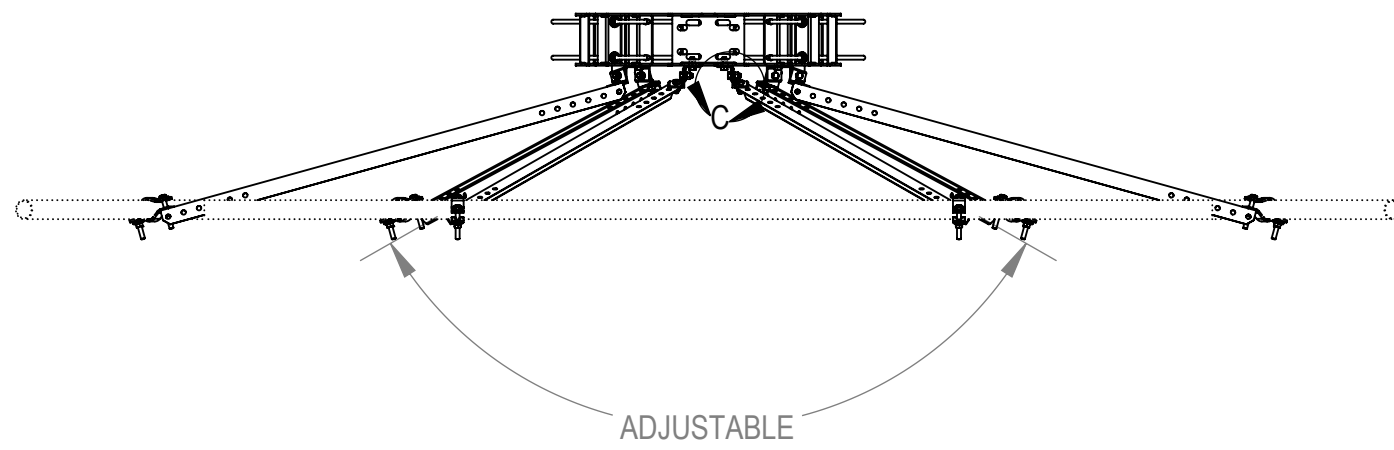
NOTES:

- 1.0 GENERAL
- 1.1 ALL METRIC DIMENSIONS ARE IN BRACKETS
- 2.0 DESIGN NOTES
- 3.0 MANUFACTURING/SPECIAL REQUIRMENTS
- 4.0 TEST
- 5.0 PACKAGING

REVISIONS				
REV.	ECN	DESCRIPTION	BY	DATE
A	8000031753	INITIAL RELEASE	MRC	09/19/18



UP TO $\pm 30^\circ$ AZIMUTH
ADJUSTMENT OFF APEX



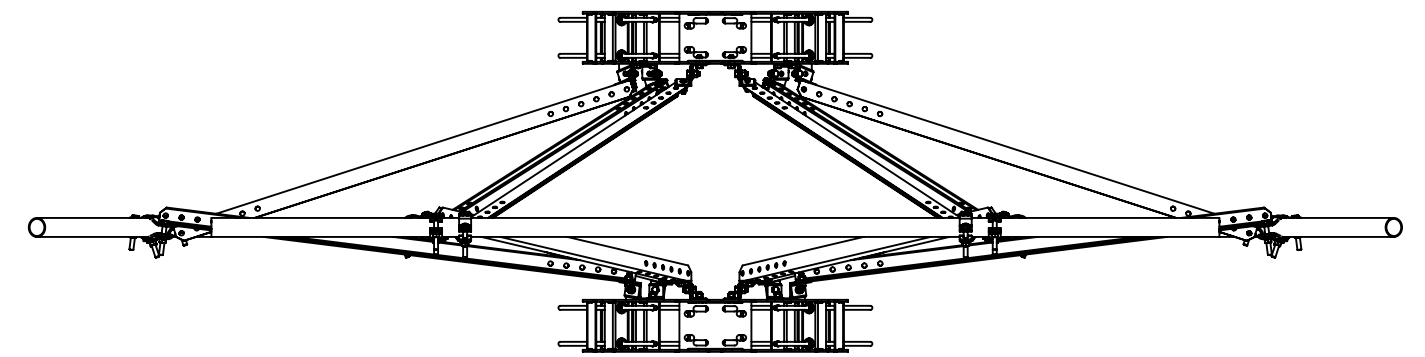
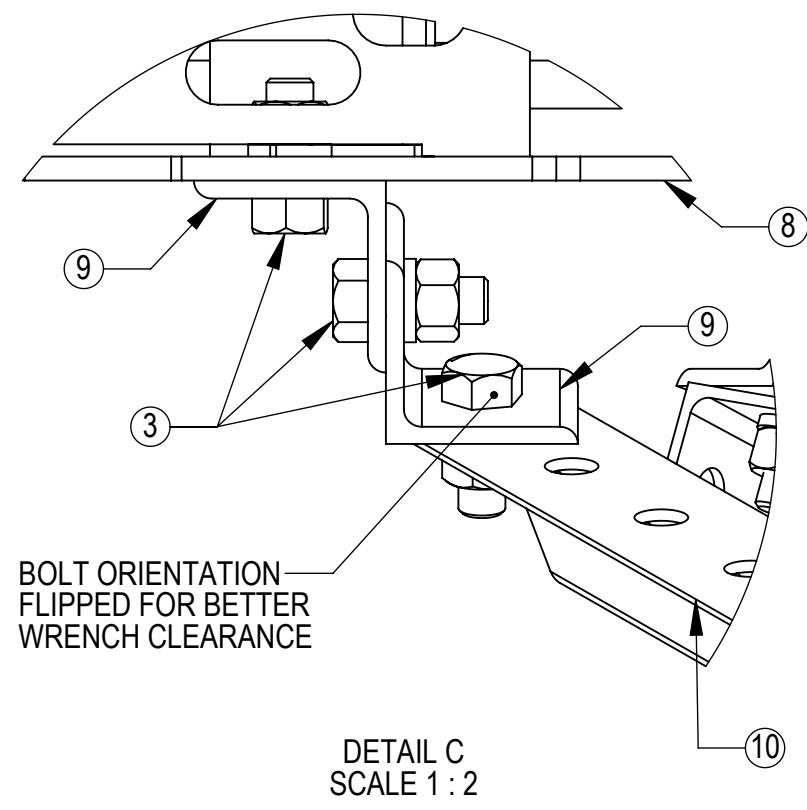
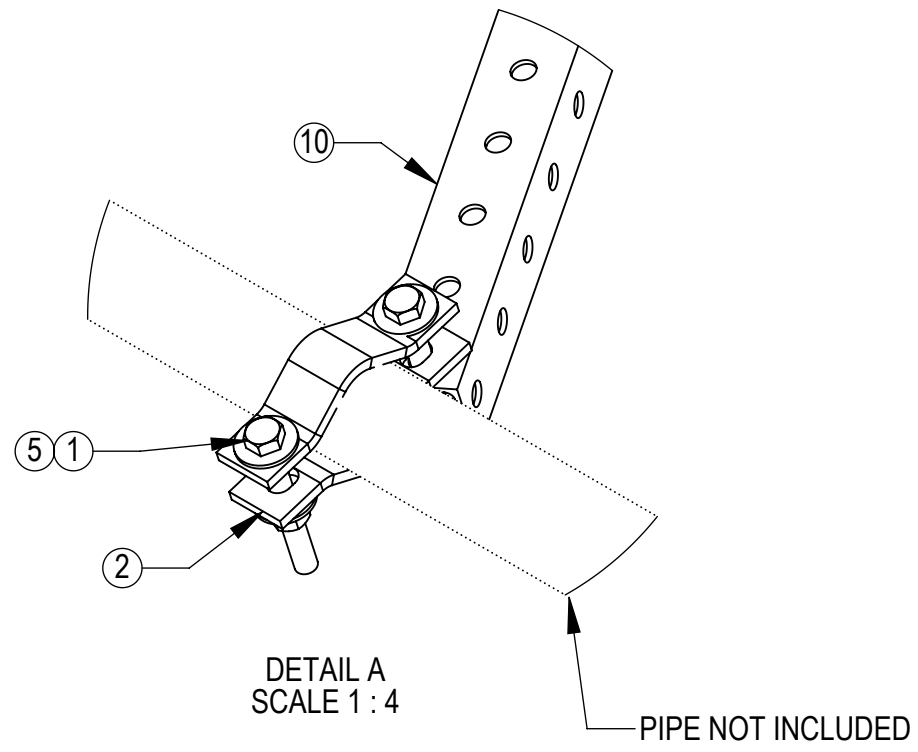
ITEM	PART NO.	DESCRIPTION	QTY.	WEIGHT	NOTE NO.
1	1204FTB	1/2" x 4" FULL THREAD GALV. BOLT	12	0.26 LBS	
2	ACP10	1.5" - 3.5" O.D. CLAMP HALF	12	0.61 LBS	
3	GB-04125	1/2" X 1-1/4" GALV BOLT KIT	18	0.12 LBS	
4	GN-04	1/2" GALV HEX NUT	12	0.04 LBS	
5	GWF-04	1/2" GALV FLAT WASHER	36	0.03 LBS	
6	GWL-04	1/2" GALV LOCK WASHER	12	0.01 LBS	
7	MT37924	1/2" X 24" GALV THREADED ROD	6	1.33 LBS	
8	MTC328602	WELDMENT, LIGHT DUTY 10-50 RINGMOUNT	3	26.39 LBS	
9	MTC393211	BRACKET, PIVOT	12	0.37 LBS	
10	MTC393214	ANGLE, 2 X 2 X 1/8 X 60, VSRA	6	7.99 LBS	
11	MTC37947	1/2" X 48" GALV THREADED ROD	6	2.66 LBS	USE FOR MONOPOLES LARGER THAN 24"

COMMSCOPE, INC. OF NORTH CAROLINA

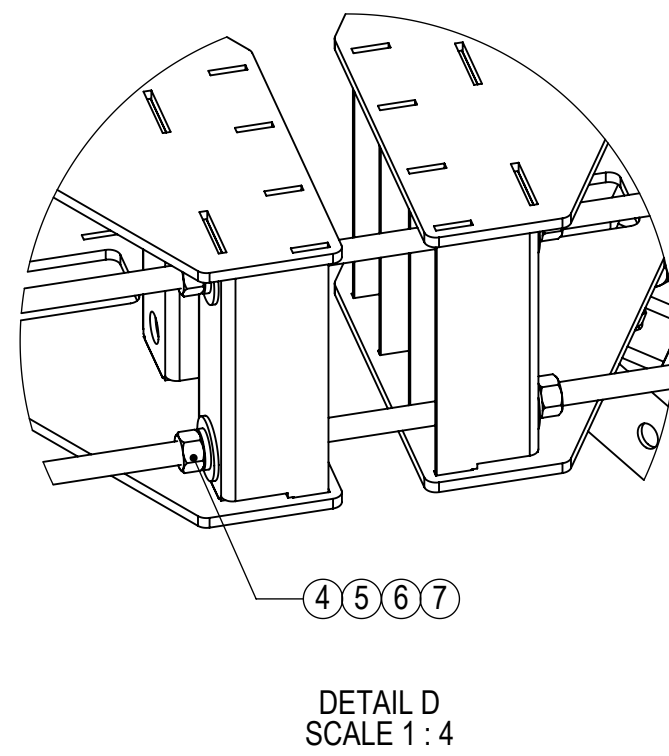
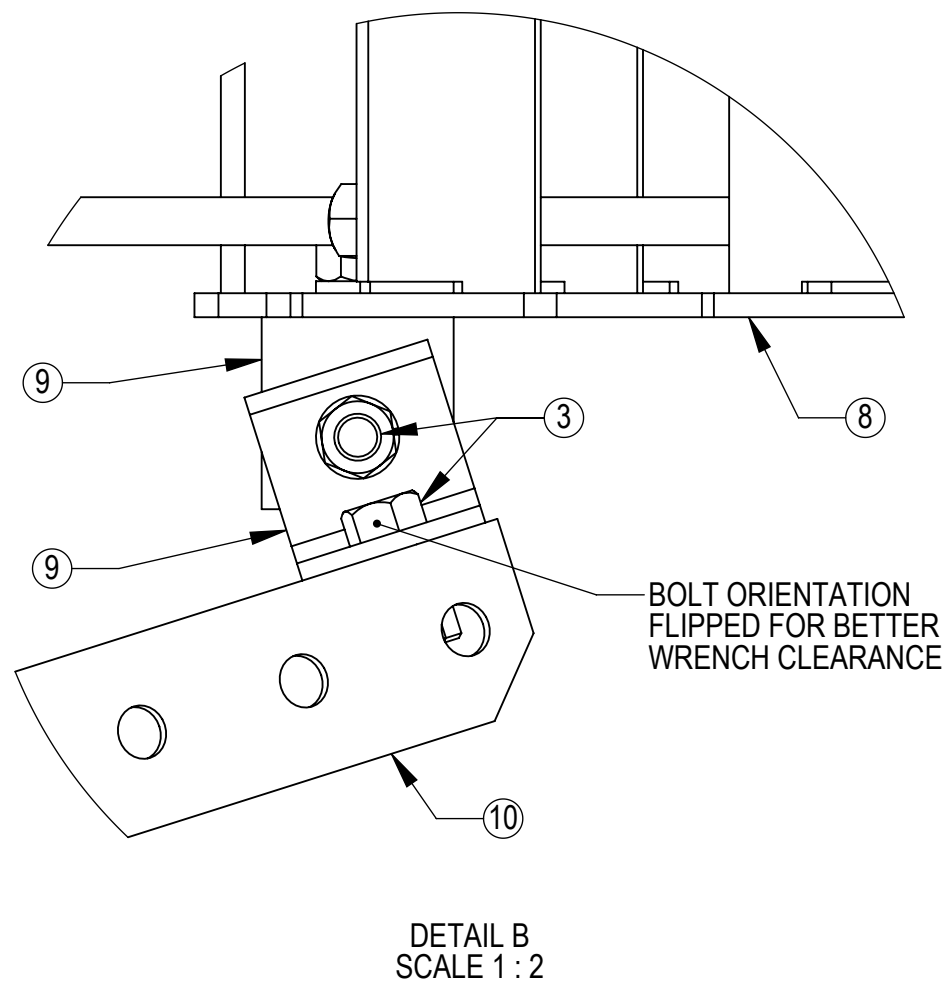
TOLERANCES		SAP MATERIAL MASTER						
0 PLACE X ± .25	2 PLACE .XX ± .06	VSRA-MM-B3						
1 PLACE .X ± .12	ANGLES ± 2°							
FINISH GALV A123		MATERIAL A529,A1011/A1018 GR 36						
UNLESS OTHERWISE SPECIFIED DIMENSIONS ARE IN INCHES INTERPRET PER ANSI Y 14.5M-1994	NAME	DATE	V-STAB,ADJ.,MP 12"-50"					
	CE MRC	9/24/18						
	RW MC1107	10/02/2018						
	RV							
	AD BCAMPBELLCON	10/02/2018						
RE RD1048	10/03/2018	SCALE 1:20	DOCUMENT NO. VSRA-MM-B3					
ECN 008000031753	SIZE WORK AREA 24	MODEL						
HEIGHT LENGTH WIDTH	C	VERSION 00	STATUS RE	REVISION A	VERSION 00	STATUS RE	REVISION A	SHEET 1 OF 2

DENSITY		lbs/in ³
MASS	145.60	lbs
VOLUME	873.22	in ³
SURFACE AREA	6504.08	in ²

NOTES:



SHOWN FOR REFERENCE ONLY
WHEN INSTALLING ON A DUAL
STABILIZER SET UP.



COMMSCOPE, INC. OF NORTH CAROLINA				
TITLE V-STAB,ADJ.,MP 12"-50"				
SIZE C	SCALE 1:24	DOCUMENT NO. VSRA-MM-B3		
		DRAWING		SHEET
		VERSION 04	STATUS RE	REVISION A
				2 OF 2

