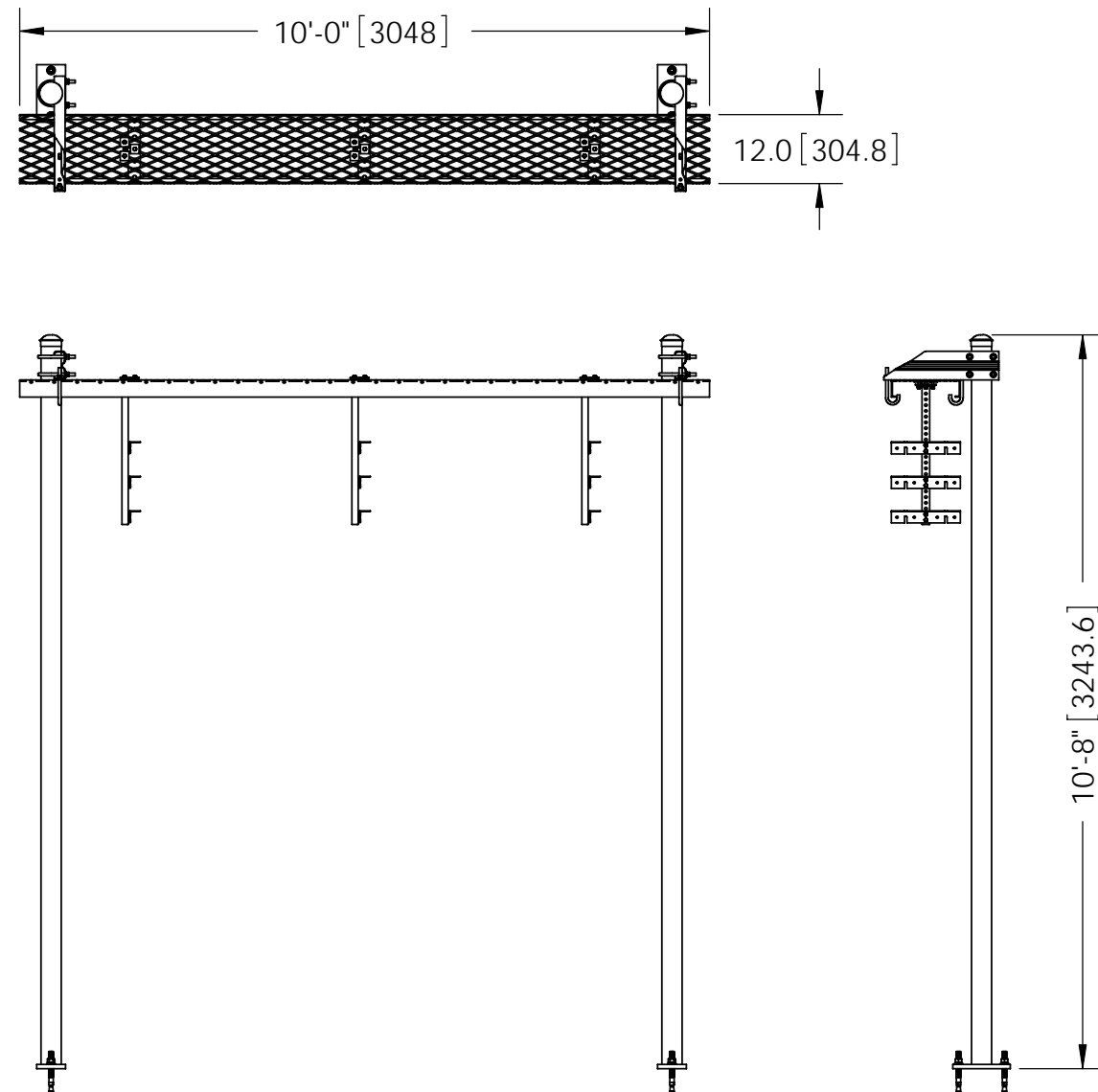
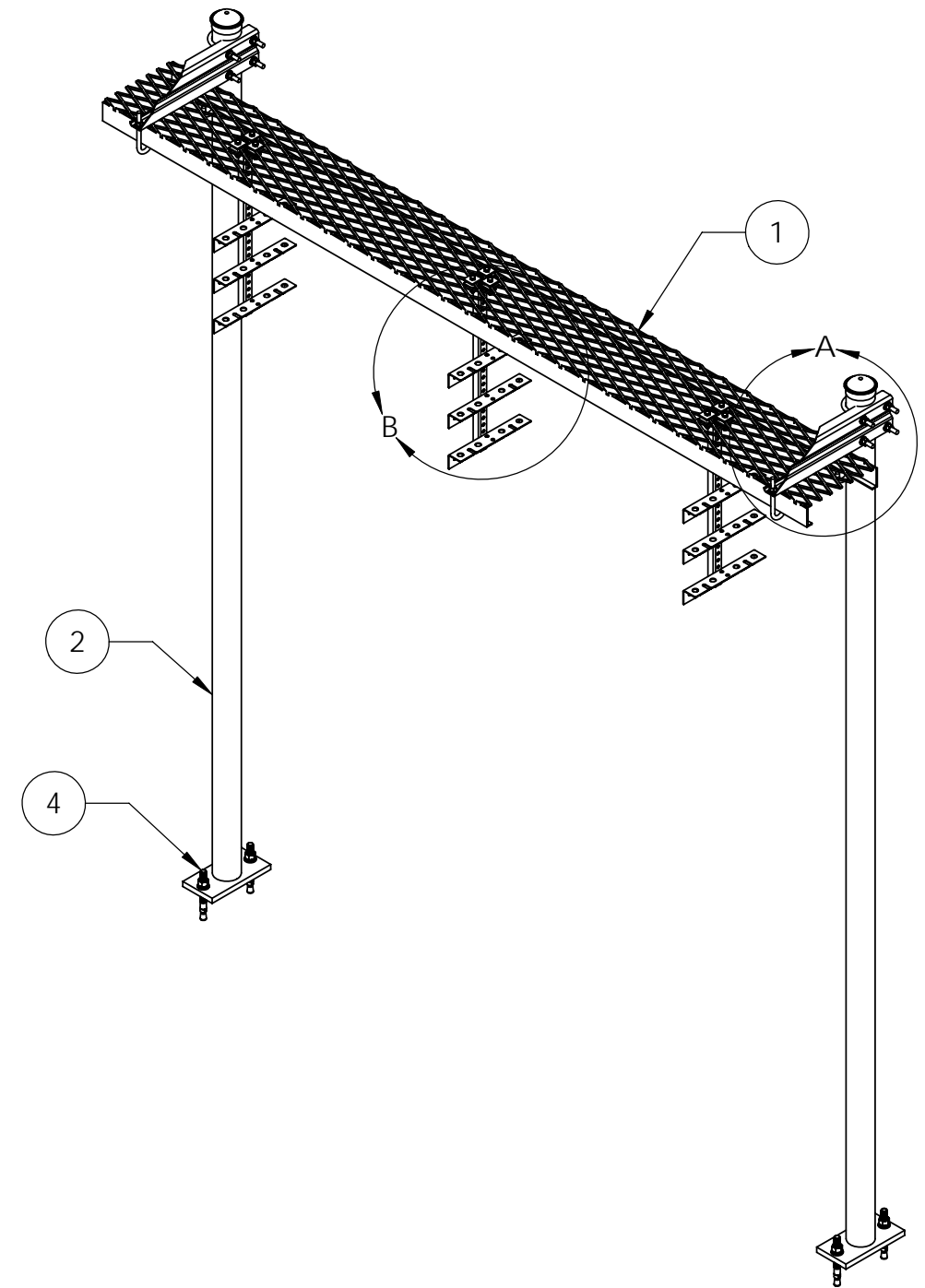
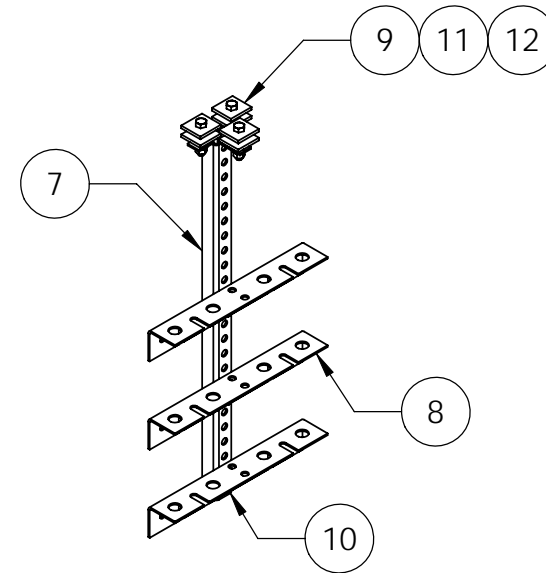
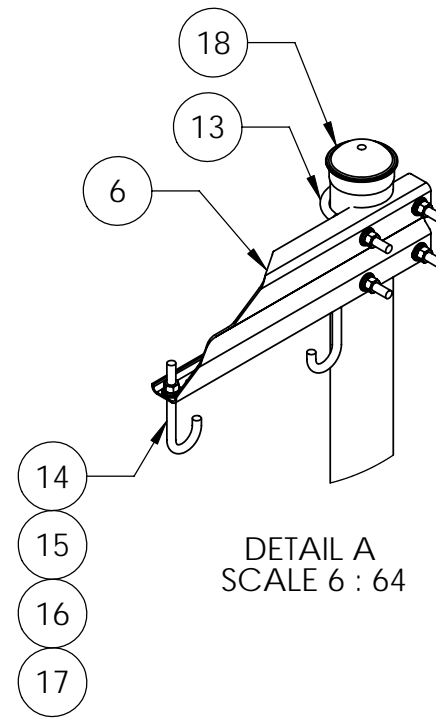


ITEM	PART NO.	DESCRIPTION	QTY.	WEIGHT
1	WB-CY110	SAFETY GRATING 12" X 10'	1	70.00 LBS
2	MF126.01	BASE SHOE	2	71.57 LBS
3	WBK110SH	HARDWARE KIT (ITEMS 4-5)	1	
4	MT-287	3/4" x 7" WEDGE ANCHOR	4	0.72 LBS
5	WBK110BHK	HARDWARE KIT (ITEMS 6-18)	1	
6	WBLB123.07	12" WAVEGUIDE BRIDGE SUPPORT BRACKET	2	4.71 LBS
7	WBT243.01	VERTICAL TRAPEZE SECTION	3	2.53 LBS
8	WBT123.02	12" HORIZONTAL TRAPEZE SECTION	9	1.46 LBS
9	MT-387	SQUARE WASHER, 1-1/2" X 1-5/8" W/ 7/16" HOLE	18	0.12 LBS
10	GB-03105	3/8" X 1" GALV BOLT KIT	18	0.04 LBS
11	GB-03205	3/8" X 2" GALV BOLT KIT	9	0.04 LBS
12	GWF-03	3/8" GALV FLAT WASHER	9	0.01 LBS
13	GUB-4356	1/2" X 3-5/8" X 6" GALV U-BOLT KIT	4	0.83 LBS
14	WB-JB-6	1/2" J-BOLT	4	0.50 LBS
15	GWF-04	1/2" GALV FLAT WASHER	4	0.01 LBS
16	GWL-04	1/2" GALV LOCK WASHER	4	0.01 LBS
17	GN-04	1/2" GALV HEX NUT	4	0.04 LBS
18	PC-034	PIPE CAP 3-1/2"	2	0.94 LBS

REVISIONS				
REV.	ZONE	DESCRIPTION	BY	DATE
A		INITIAL RELEASE	ACG	10/08/02
B		UPDATE PART LIST	ACG	10/16/02
C		UPDATE PART LIST	ACG	04/04/03
D		UPDATE PART LIST	ACG	05/14/04
E		UPDATE PART LIST	ACG	07/01/04
F		REDRAWN IN SOLIDWORKS	AW	05/20/05
G		UPDATE BOM FOR HARDWARE KITS	ACG	10/17/08



NOTES:  
1. ALL METRIC DIMENSIONS ARE IN BRACKETS.

These drawings and specifications are the proprietary property of ANDREW CORPORATION and may be used only for the specific purpose authorized in writing by Andrew Corporation.  ALL DIMENSIONS ARE IN INCHES U.O.S. TOLERANCES UNLESS OTHERWISE SPECIFIED: .X = ± .12      ANGLES      ±2° .XX = ± .06      FRACTIONS      ±1/32 .XXX = ± .030  REMOVE BURRS AND BREAK EDGES .005  DO NOT SCALE THIS PRINT	DRAWN BY: ACG	SHEET: 1 of 1	PART NUMBER: WB-K110-S
	CHECKED BY: TP	SCALE: NTS	DESCRIPTION: WAVEGUIDE BRIDGE KIT
	DATE: 10/17/08	MATERIAL: A36, A53, A568	DRAWING TYPE: ASSEMBLY DRAWING
	REVISION: <b>G</b>	FINISH: GALV A123	WEIGHT: 259.77 LBS