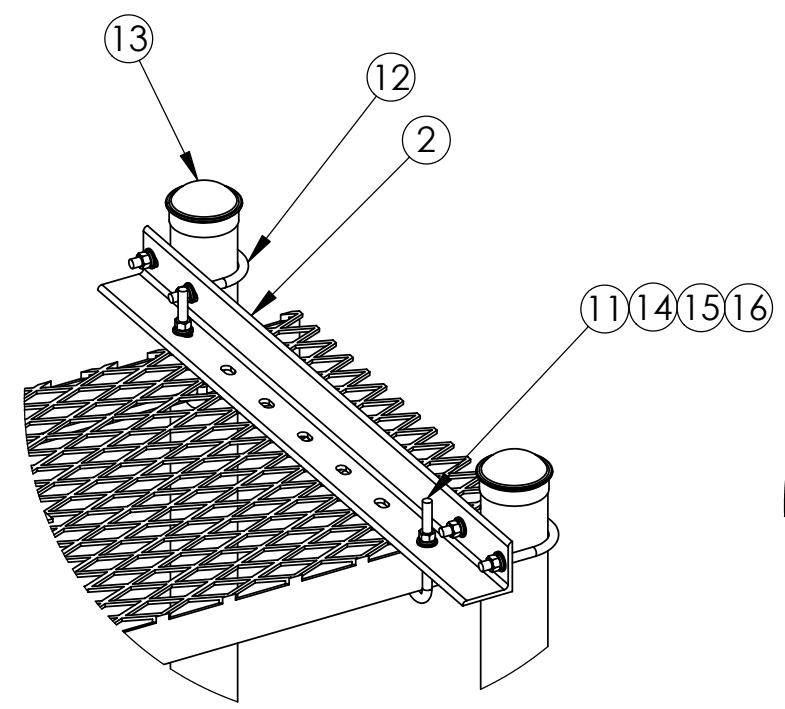
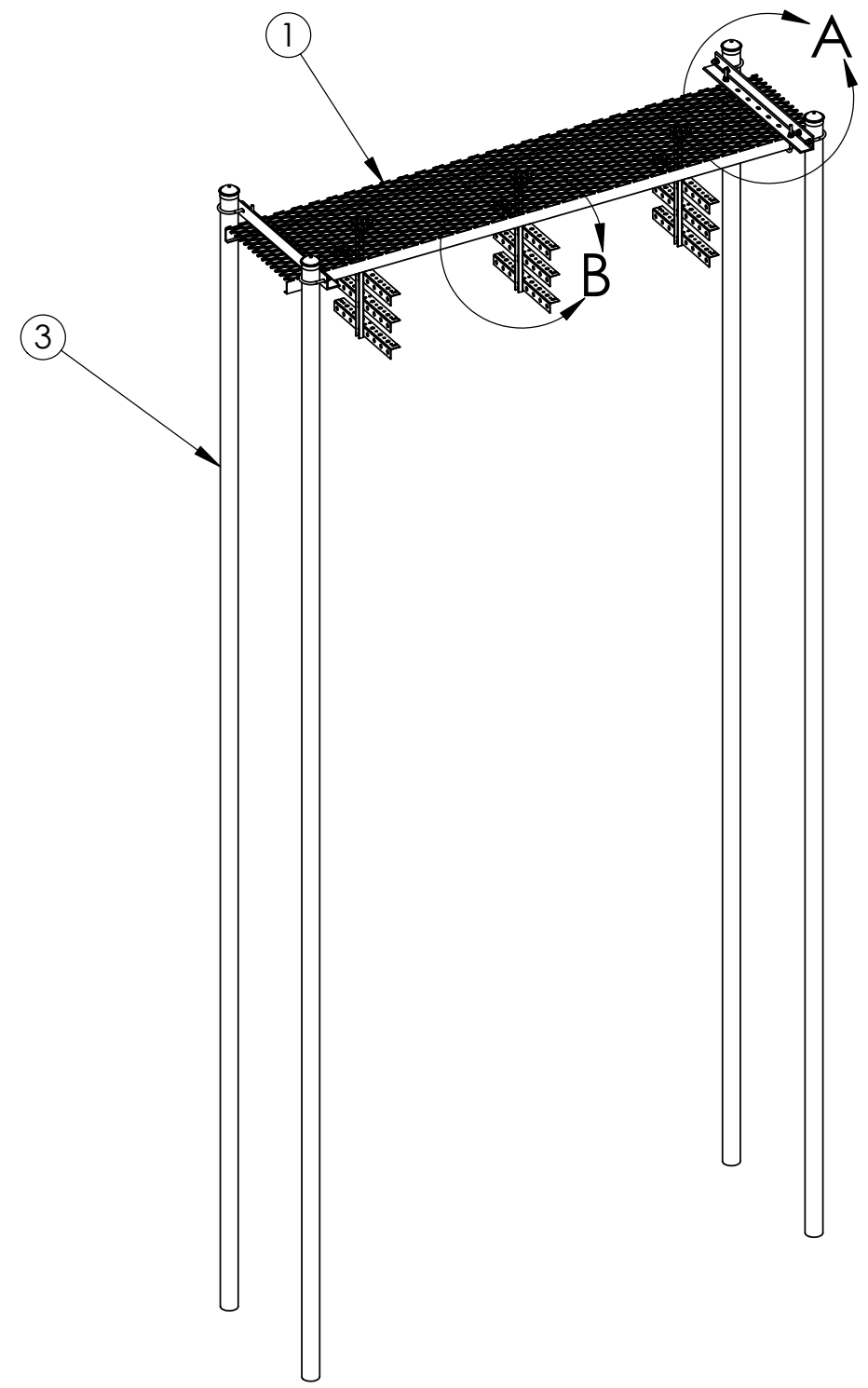
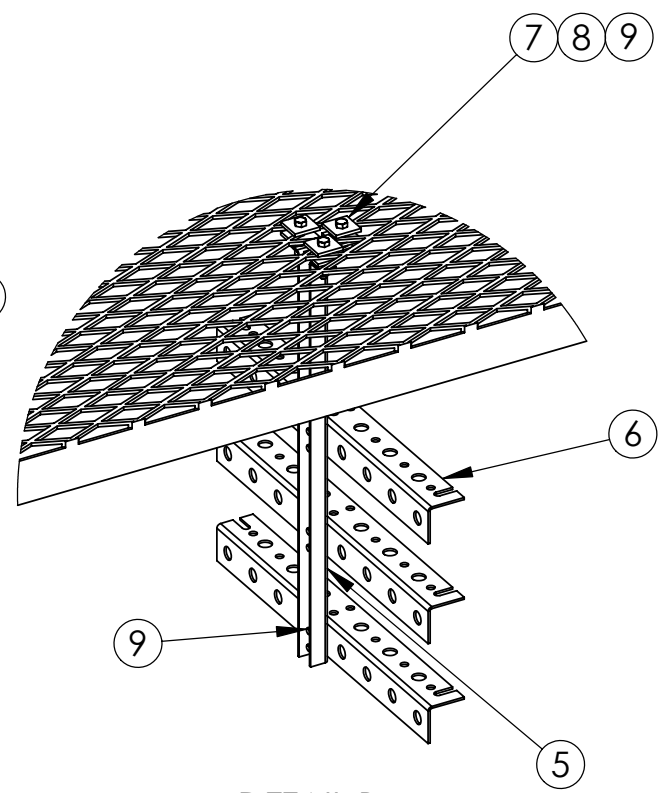


ITEM	PART NO.	DESCRIPTION	QTY.	WEIGHT
1	WB-CY210	SAFETY GRATING 24" X 10' X 12 GAUGE	1	80.01 LBS
2	WB-CS24-3.01	24" WAVEGUIDE BRIDGE SUPPORT BRACKET	2	15.40 LBS
3	MT-547	DIRECT BURIAL PIPE COLUMN, 21'	4	159.67 LBS
4	WBK410BH	HARDWARE KIT ITEM#5-16	1	
5	WBT243.01	VERTICAL TRAPEZE SECTION	3	2.55 LBS
6	WBT243.02	HORIZONTAL TRAPEZE SECTION	9	2.81 LBS
7	MT-387	SQUARE WASHER, 1½" X 1½" W/ 7/16" HOLE	18	0.11 LBS
8	GB-03205	3/8" X 2" GALV BOLT KIT	9	0.20 LBS
9	GWF-03	3/8" GALV FLAT WASHER	9	0.02 LBS
10	GB-03105	3/8" X 1" GALV BOLT KIT	18	0.20 LBS
11	WB-JB-6	1/2" J-BOLT	4	0.49 LBS
12	GUB-4355	1/2" X 3-5/8" X 5" GALV U-BOLT KIT	4	0.71 LBS
13	PC-034	PIPE CAP 3-1/2"	4	0.94 LBS
14	GWF-04	1/2" GALV FLAT WASHER	12	0.02 LBS
15	GWL-04	1/2" GALV LOCK WASHER	4	0.01 LBS
16	GN-04	1/2" GALV HEX NUT	4	0.04 LBS


REVISIONS				
REV.	ZONE	DESCRIPTION	BY	DATE
A		INITIAL RELEASE	AW	06/29/06



DETAIL A



DETAIL B

<small>These drawings and specifications are the proprietary property of ANDREW CORPORATION and may be used only for the specific purpose authorized in writing by Andrew Corporation.</small> <small>ALL DIMENSIONS ARE IN INCHES U.O.S. TOLERANCES UNLESS OTHERWISE SPECIFIED:</small> .X = ± .06 ANGLES ± 2' .XX = ± .03 FRACTIONS ± 1/32 .XXX = ± .010 <small>REMOVE BURRS AND BREAK EDGES .005</small> DO NOT SCALE THIS PRINT	<small>DRAWN BY:</small> AW	<small>SHEET:</small> 1 of 1	<small>PART NUMBER:</small> WB-K410-B2I
	<small>CHECKED BY:</small> TP	<small>SCALE:</small> NTS	<small>DESCRIPTION:</small> 24" WAVEGUIDE BRIDGE KIT
	<small>DATE:</small> 06/29/06	<small>MATERIAL:</small> A36	<small>DRAWING TYPE:</small> ASSEMBLY DRAWING
	<small>REVISION:</small> A	<small>FINISH:</small> GALV A123 <small>WEIGHT:</small> 795.60 LBS	 ORLAND PARK, IL. 60462 U.S.A.