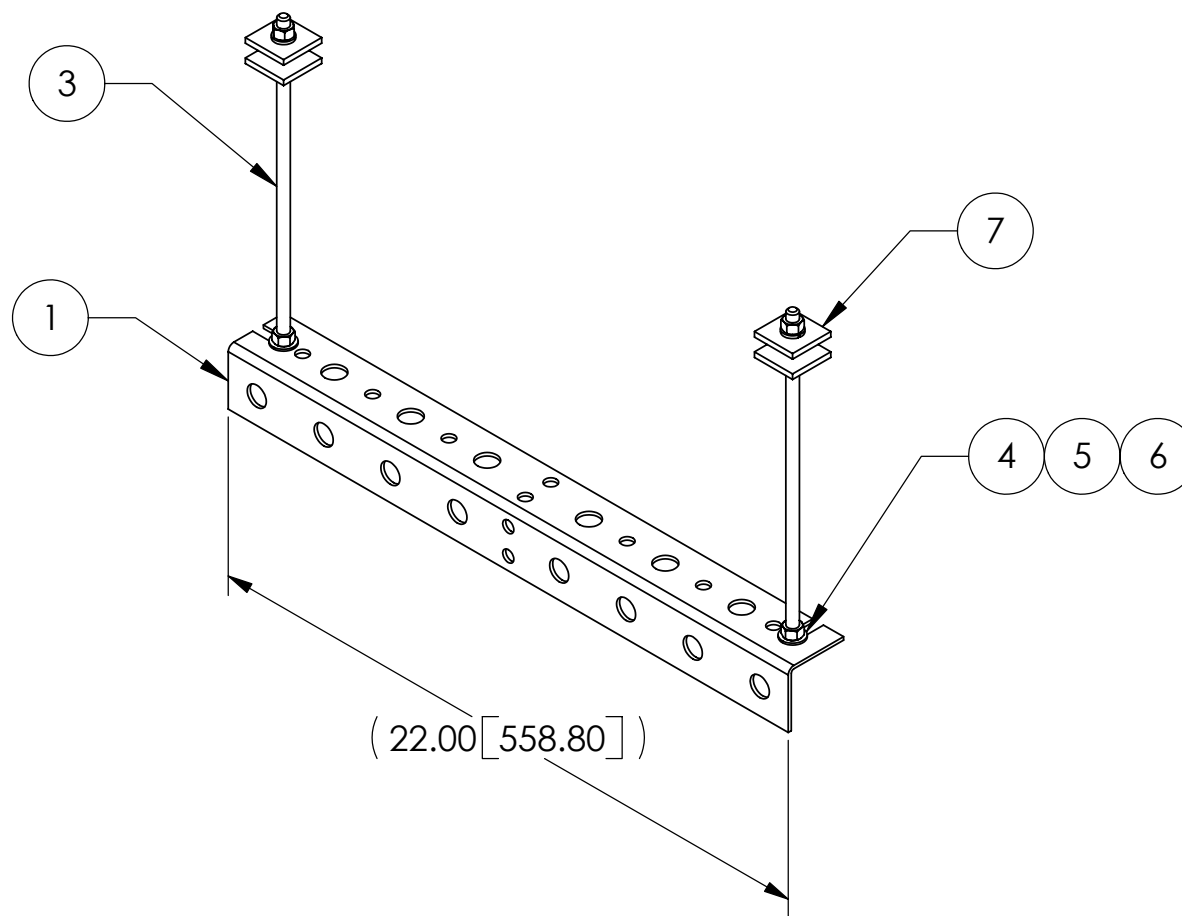


ITEM	PART NO.	DESCRIPTION	QTY.	WEIGHT
1	WBT243.02	HORIZONTAL TRAPEZE SECTION	1	2.81 LBS
2	MT357H	HARDWARE KIT (ITEMS 3-7)	1	
3	MT-373	3/8" X 12" SS THREADED ROD	2	0.37 LBS
4	SWF-03	3/8" SS FLAT WASHER	4	0.01 LBS
5	SWL-03	3/8" SS LOCK WASHER	4	0.01 LBS
6	SN-03	3/8" SS HEX NUT	8	0.02 LBS
7	MT-387	SQUARE WASHER, 1 1/2" X 1 1/2" W/ 7/16" HOLE	4	0.11 LBS

REVISIONS				
REV.	ZONE	DESCRIPTION	BY	DATE
A		INITIAL RELEASE	ACG	02/09/05
B		UPDATE HARDWARE KIT	ACG	03/07/06



NOTES:  
 1. ALL METRIC DIMENSIONS ARE IN BRACKETS.

These drawings and specifications are the proprietary property of ANDREW CORPORATION and may be used only for the specific purpose authorized in writing by Andrew Corporation.  ALL DIMENSIONS ARE IN INCHES U.O.S. TOLERANCES UNLESS OTHERWISE SPECIFIED: .X = .06 ANGLES 2° .XX = .03 FRACTIONS 1/32 .XXX = .010  REMOVE BURRS AND BREAK EDGES .005  DO NOT SCALE THIS PRINT	DRAWN BY ACG	SHEET 1 of 1	PART NUMBER WB-TS24
	CHECKED BY TP	SCALE NTS	DESCRIPTION TRAPEZE KIT, 24" WIDE, 1 RUNG
	DATE 02/09/05	MATERIAL A36, 304SS	DRAWING TYPE ASSEMBLY DRAWING
	REVISION B	FINISH GALV A123	WEIGHT 4.22 LBS