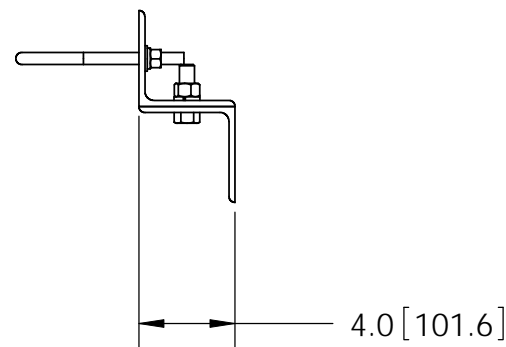
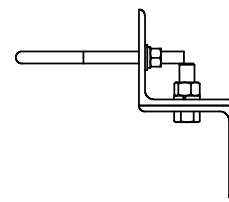
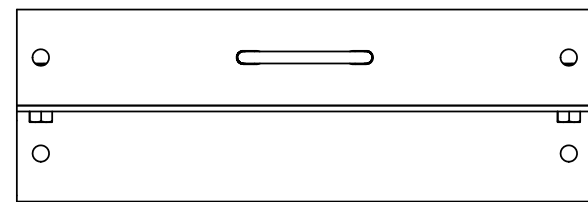
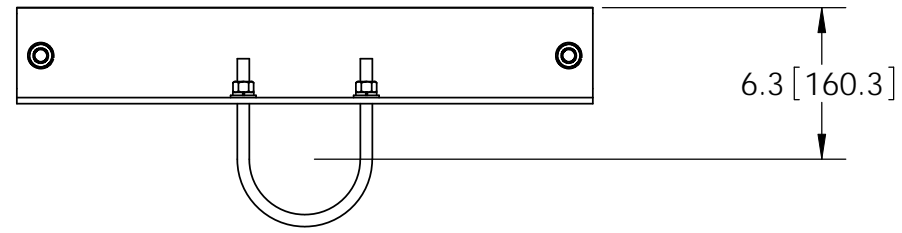
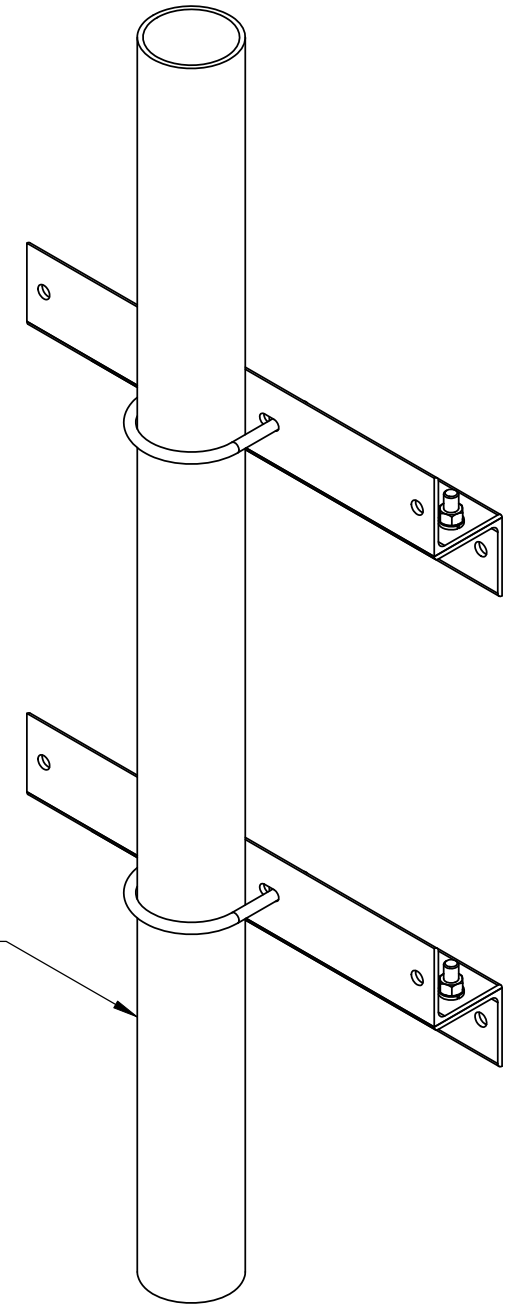


| ITEM | PART NO. | DESCRIPTION | QTY. | WEIGHT |
|------|----------|------------------------------------|------|-----------|
| 1 | WMA31201 | WMA312 Angle | 4 | 12.94 LBS |
| 2 | GB-05205 | 5/8" X 2" GALV BOLT KIT | 4 | 0.60 LBS |
| 3 | GUB-4456 | 1/2" X 4-5/8" X 6-1/2" GALV U-BOLT | 2 | 0.50 LBS |

| REVISIONS | | | | |
|-----------|------|-----------------|-----|----------|
| REV. | ZONE | DESCRIPTION | BY | DATE |
| A | | INITIAL RELEASE | MSM | 07/09/09 |




PIPE ORDERED SEPARATELY



NOTES:

1. ALL METRIC DIMENSIONS ARE IN BRACKETS.
2. STAMP PART IDENTIFICATION NUMBER.
3. PIPE ORDERED SEPARATELY.
4. ORDER HARDWARE TO MOUNT TO HOLLOW OR SOLID WALLS SEPARATELY.

| | | | |
|---|-----------------------|----------------------|--|
| <small>These drawings and specifications are the proprietary property of ANDREW CORPORATION and may be used only for the specific purpose authorized in writing by Andrew Corporation.</small> ALL DIMENSIONS ARE IN INCHES U.O.S. TOLERANCES UNLESS OTHERWISE SPECIFIED: .X = ± .12 ANGLES ±2° .XX = ± .06 FRACTIONS ±1/32 .XXX = ± .03 REMOVE BURRS AND BREAK EDGES .005 DO NOT SCALE THIS PRINT | DRAWN BY: MSM | SHEET: 1 of 1 | PART NUMBER: WMA412 |
| | CHECKED BY: TP | SCALE: NTS | DESCRIPTION: Angle Wall Mount, 4-1/2" OD Pipe |
| | DATE: 07/09/09 | MATERIAL: A36 | DRAWING TYPE: ASSEMBLY DRAWING |
| | REVISION: A | FINISH: GALV A123 |  WESTCHESTER, IL. 60154 U.S.A. |
| | WEIGHT: 112.26 LBS | | |