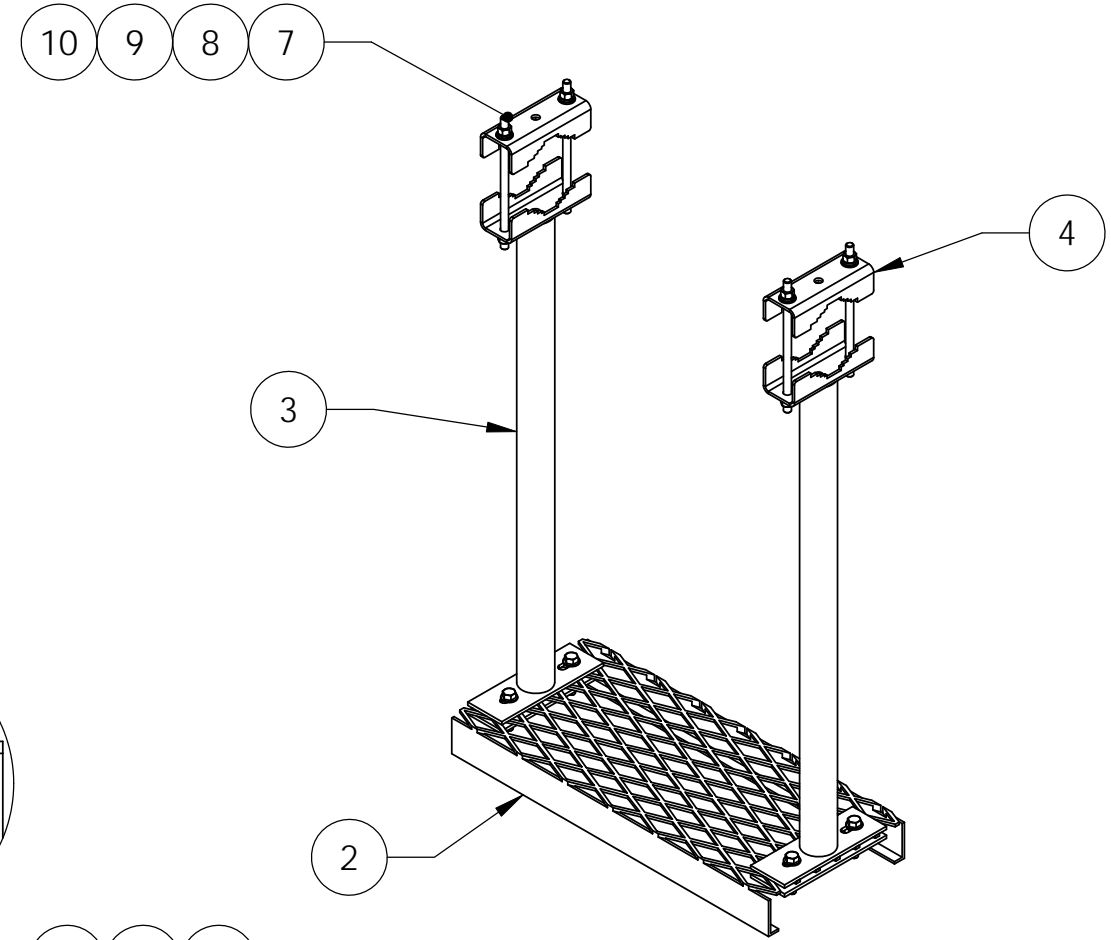
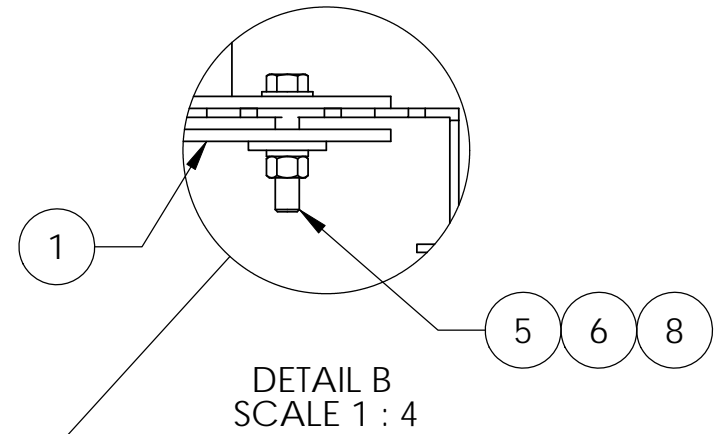
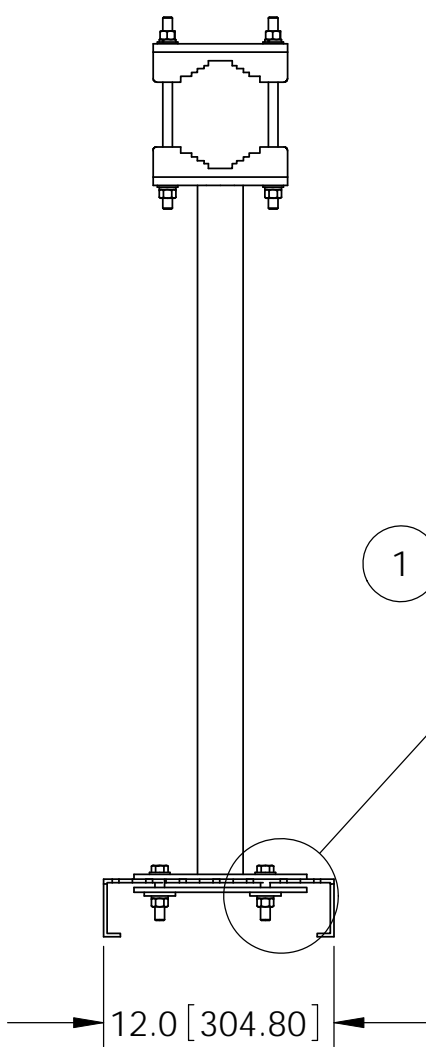
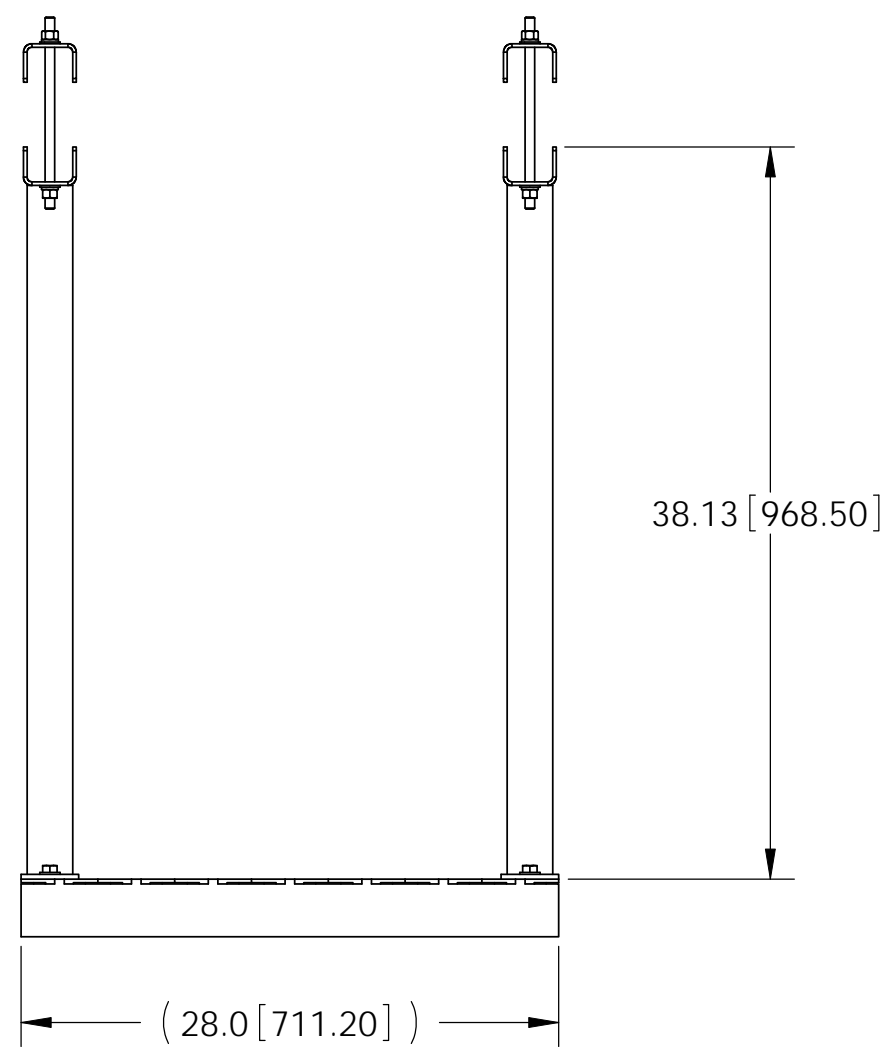



ITEM	PART NO.	DESCRIPTION	QTY.	WEIGHT
1	WP197.04	BACKING PLATE	2	1.81 LBS
2	WP197.05	SAFETY GRATING 12" X 28"	1	15.44 LBS
3	WP19706	Work Support Upright	2	12.62 LBS
4	WP19707	Work Platform Clamp	2	1.89 LBS
5	GB-0424A	1/2" X 2-1/2" GALV BOLT KIT (A325)	4	0.19 LBS
6	MT-388	SQUARE WASHER, 1-1/2" X 1-5/8" W/ 9/16" HOLE	4	0.12 LBS
7	MT-379-10	1/2" X 10" GALV THREADED ROD	4	0.56 LBS
8	GWF-04	1/2" GALV FLAT WASHER	12	0.04 LBS
9	GWL-04	1/2" GALV LOCK WASHER	8	0.03 LBS
10	GN-04	1/2" GALV HEX NUT	8	0.04 LBS

REVISIONS				
REV.	ZONE	DESCRIPTION	BY	DATE
A		INITIAL RELEASE	CAM	01/22/02
B		UPDATE PART LIST	ACG	06/30/04
C		UPDATE PART LIST	ACG	01/28/05
D		ADDED DETAIL FOR BOLT	ACG	02/07/05
E		REPLACE MT-386 TO MT-388	ACG	08/15/05
F		ADD U-BOLTS TO HARDWARE KIT	MSM	12/16/09
G		NEW CLAMP, UPRIGHT AND HARDWARE	MSM	07/08/10



NOTES:
1. ALL METRIC DIMENSIONS ARE IN BRACKETS.

<small>These drawings and specifications are the proprietary property of ANDREW CORPORATION and may be used only for the specific purpose authorized in writing by Andrew Corporation.</small> ALL DIMENSIONS ARE IN INCHES U.O.S. TOLERANCES UNLESS OTHERWISE SPECIFIED: .X = ± .12 ANGLES ±2° .XX = ± .06 FRACTIONS ±1/32 .XXX = ± .03 REMOVE BURRS AND BREAK EDGES .005 DO NOT SCALE THIS PRINT	DRAWN BY: ACG	SHEET: 1 of 1	PART NUMBER: WP-197
	CHECKED BY: TP	SCALE: NTS	DESCRIPTION: 28" WORK SUPPORT PLATFORM
	DATE: 08/15/05	MATERIAL: A36, A53, A568	DRAWING TYPE: ASSEMBLY DRAWING
	REVISION: G	FINISH: GALV A123	 ORLAND PARK, IL. 60462 U.S.A.
	WEIGHT: 52.44 LBS		