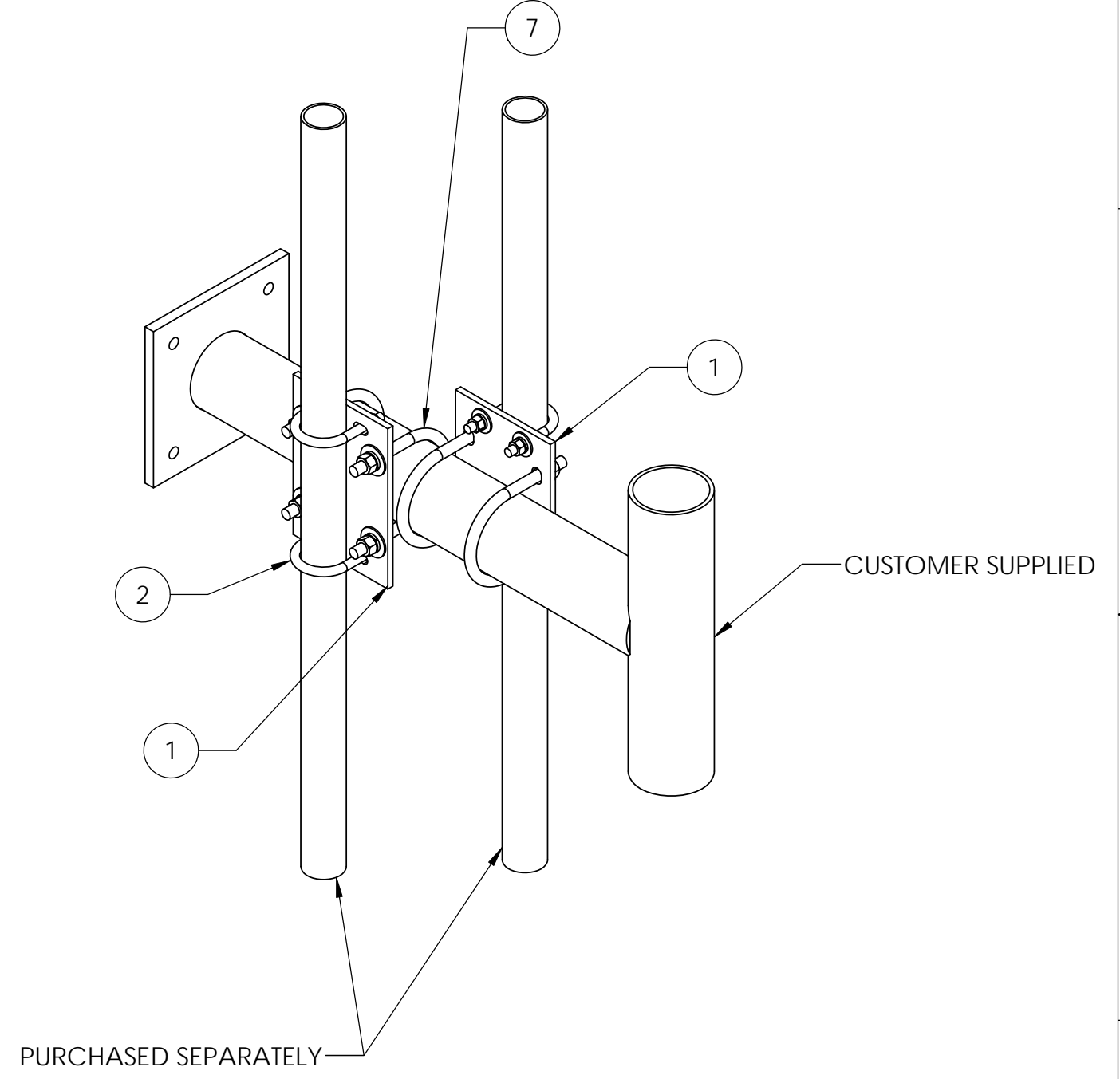
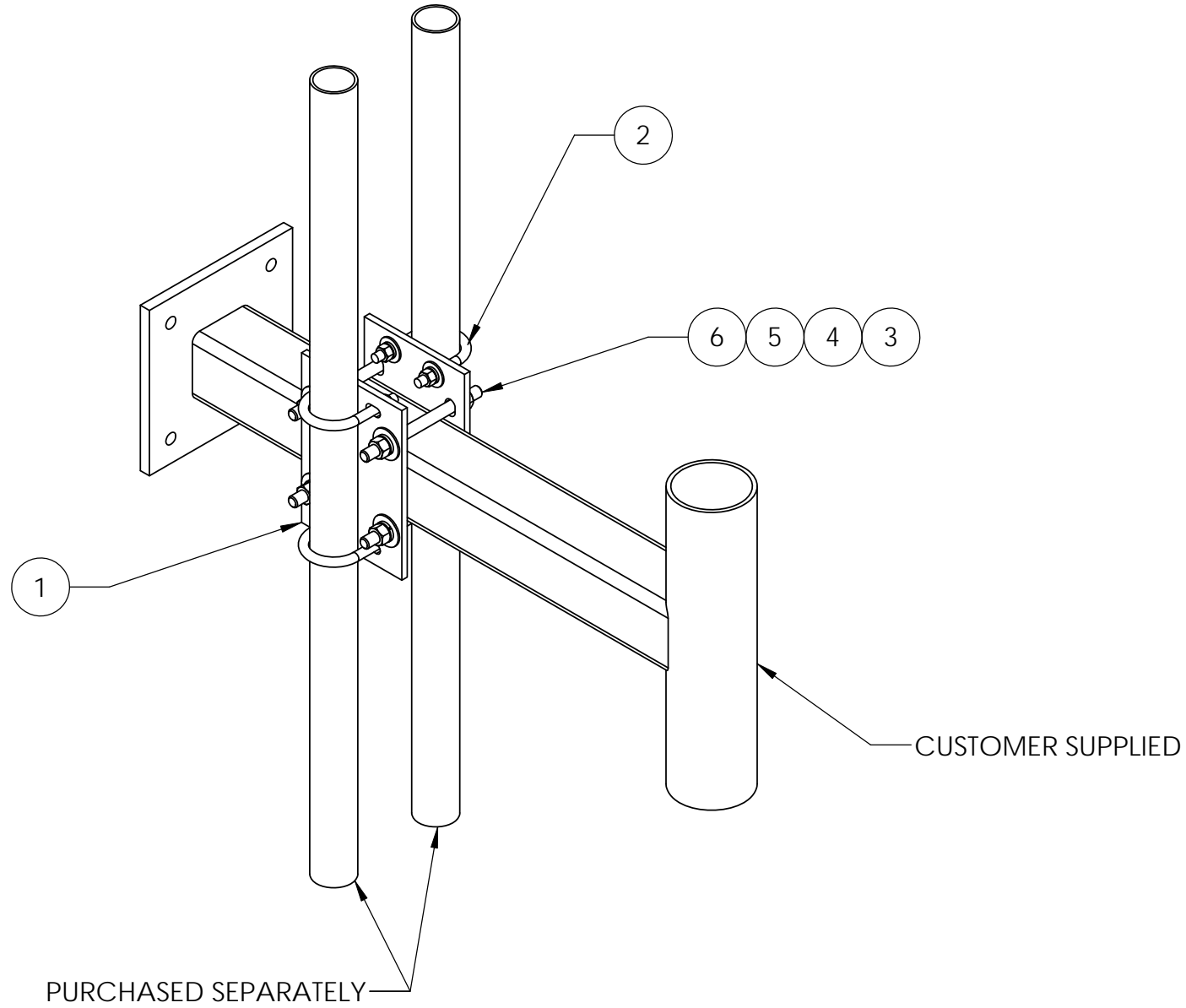



ITEM	PART NO.	DESCRIPTION	QTY.	WEIGHT
1	XP2040.01	CROSSOVER PLATE 2-3/8" O.D. TO 4-1/2" O.D.	2	7.13 LBS
2	GUB-4240	1/2" X 2-1/2" X 4" GALV U-BOLT	4	1.44 LBS
3	GWF-05	5/8" GALV FLAT WASHER	8	0.06 LBS
4	GWL-05	5/8" GALV LOCK WASHER	8	0.09 LBS
5	GN-05	5/8" GALV HEX NUT	8	0.04 LBS
6	MT-381-8	5/8" X 8" GALV THREADED ROD	4	0.69 LBS
7	GUB-5456	5/8" X 4-4/8" X 6-1/2" GALV U-BOLT	4	1.88 LBS

REVISIONS				
REV.	ZONE	DESCRIPTION	BY	DATE
A		INITIAL RELEASE	DRR	12/19/11



NOTES:
 1. ALL METRIC DIMENSIONS ARE IN BRACKETS.

<small>These drawings and specifications are the proprietary property of ANDREW CORPORATION and may be used only for the specific purpose authorized in writing by Andrew Corporation.</small> ALL DIMENSIONS ARE IN INCHES U.O.S. TOLERANCES UNLESS OTHERWISE SPECIFIED: .X = ± .12 ANGLES ±2° .XX = ± .06 FRACTIONS ±1/32 .XXX = ± .03 REMOVE BURRS AND BREAK EDGES .005 DO NOT SCALE THIS PRINT	DRAWN BY: MSM	SHEET: 1 of 1	PART NUMBER: XP-197-D
	CHECKED BY: TP	SCALE: NTS	DESCRIPTION: RRH Standoff Mount
	DATE: 04/27/11	MATERIAL: A36, A500	DRAWING TYPE: ASSEMBLY DRAWING
	REVISION: A	FINISH: GALV A123	
	WEIGHT: 24.29 LBS	WESTCHESTER, IL. 60154 U.S.A.	