

Optical Passives (ISP)

NP35R03

Optical Circulator, 3-Port Polarization Insensitive for ISP Applications

FEATURES

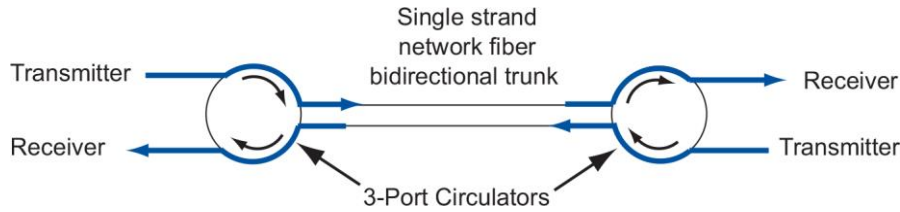
- Separates optical signals that travel in opposite directions over a single fiber
- Routes incoming signals from Port 1 to Port 2, and incoming Port 2 signals to Port 3
- Optimized for C-Band (1550 nm window) DWDM applications
- Low insertion loss
- High Isolation
- Applications:
 - Bidirectional signal transmission systems
 - Add/drop multiplexing (OADM)
 - Dispersion compensation
 - EDFA optical fiber amplification
- LGX chassis-compatible for ISP inside plant controlled indoor environments
- Single or dual optical circulators package option indoor environments
- SC/APC connectors
- Telcordia GR-1209 and GR-1221 qualified



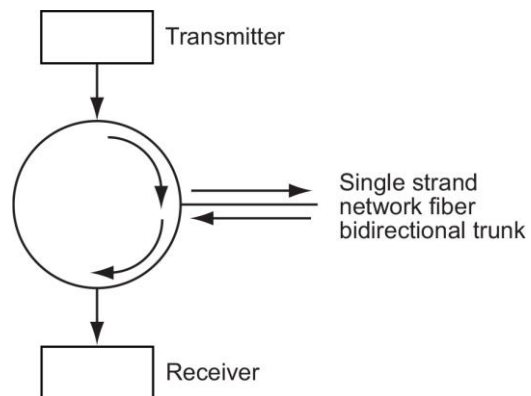
PRODUCT OVERVIEW

ARRIS' NP35R03 3-port polarization-insensitive optical circulator modules are specialized lightwave passive devices that can be used to separate optical signals that travel in opposite directions on a single-mode optical fiber. These modules feature low insertion loss and high isolation between the input and reflected optical power. Hence, they can be deployed as low loss signal routers, transmitting light from an input port to an output port, but directing light that returns along that output fiber to a third port, facilitating bidirectional transmission of multiple interleaved DWDM ITU wavelengths over a single fiber.

These ISP headend modules are compatible with industry-standard LGX chassis. NP35R03 circulators are available in single circulator and dual circulator module packages to facilitate higher density deployments.

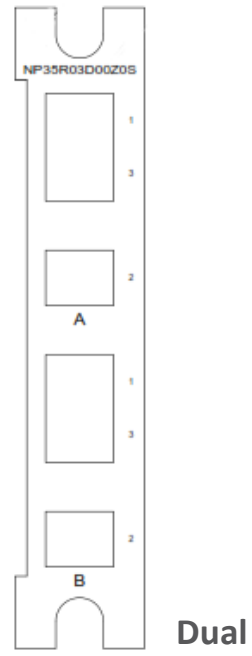


SPECIFICATIONS	
Characteristics	Specification
Physical	
Dimensions	1.0" W x 6.4" D x 5.1" H (2.7 cm x 16.3 cm x 13.0 cm)
Weight	1.5 lbs (0.7 kg)
Number of circulators per module	w = S (single) or D (dual) circulator package
Environmental	
Operating temperature range (indoor)	-20°C to +65°C (-4°F to +149°F)
Storage temperature range	-40°C to +85°C (-40°F to +185°F)
Humidity	5% to 95% non-condensing
Optical Interface	
Input/output configuration	Port 1 to Port 2 Port 2 to Port 3
Optical connectors	SC/APC
Optical	
Insertion loss, max (including connectors)	Port 1 to Port 2 1.1 dB Port 2 to Port 3 1.1 dB
Directivity (Port 1 - Port 3), min	50 dB
Passband	1463.5 - 1617.5 nm
Isolation, min	1470 - 1610 nm: 32 dB 1520 - 1580 nm: 40 dB
Return loss, min	50 dB
Polarization dependent loss, max	0.15 dB
Power handling, max (any port)	21.8 dBm



ORDERING INFORMATION

Part Number	Description
NP35R03w00Z0S-OLA-AS	w = Single (S) or dual (D) Optical Circulator Package



RELATED PRODUCTS

CH3000 Chassis	Optical Patch Cords
Optical Transmitters	Optical Passives
HPON™	Installation Services

Customer Care

Contact Customer Care for product information and sales:

- United States: 866-36-ARRIS
- International: +1-678-473-5656

Note: Specifications are subject to change without notice.

Copyright Statement: ©ARRIS Enterprises, LLC, 2016. All rights reserved. No part of this publication may be reproduced in any form or by any means or used to make any derivative work (such as translation, transformation, or adaptation) without written permission from ARRIS Enterprises, LLC (“ARRIS”). ARRIS reserves the right to revise this publication and to make changes in content from time to time without obligation on the part of ARRIS to provide notification of such revision or change. ARRIS and the ARRIS logo are registered trademarks of ARRIS Enterprises, LLC. Other trademarks and trade names may be used in this document to refer to either the entities claiming the marks or the names of their products. ARRIS disclaims proprietary interest in the marks and names of others. The capabilities, system requirements and/or compatibility with third-party products described herein are subject to change without notice.