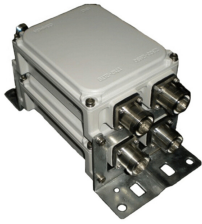


CBC1726-DL-2X | E11F02P51



Twin Diplexer, 1800-2100//2300-2600 MHz, dc bypass on 1800-2100 ports

OBSOLETE

This product was discontinued on: December 30, 2024

Replaced By:

E14F06P48

Twin Diplexer, 1350-2200 / 2300-2700 MHz, dc bypass all ports, 4.3-10 connectors

Product Classification

Product Type Diplexer

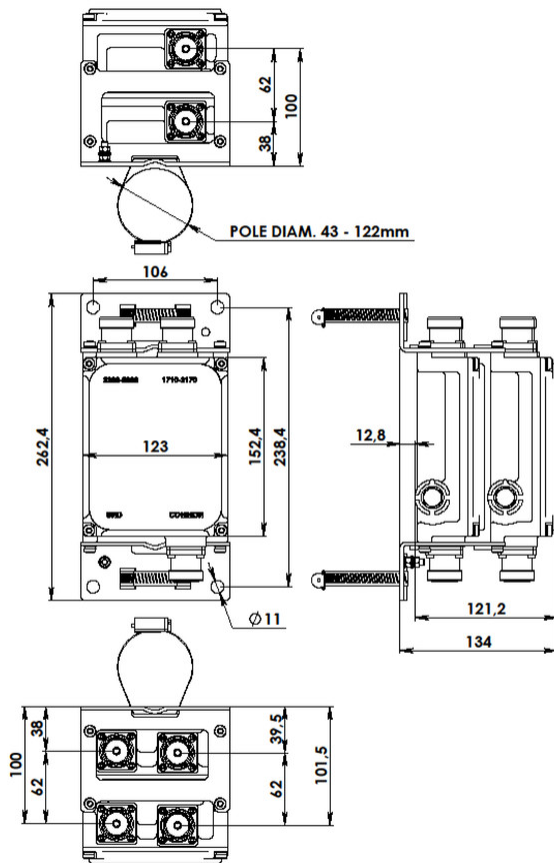
General Specifications

Product Family CBC1726
Color Gray
Common Port Label COMM
Modularity 2-Twin
Mounting Pole | Wall
Mounting Pipe Hardware Band clamps (2)
RF Connector Interface 7-16 DIN Female
RF Connector Interface Body Style Medium neck

Dimensions

Height 152.4 mm | 6 in
Width 123 mm | 4.843 in
Depth 121 mm | 4.764 in
Ground Screw Diameter 6 mm | 0.236 in
Mounting Pipe Diameter Range 42.6–122 mm

Outline Drawing



Electrical Specifications

Impedance 50 ohm

Electrical Specifications, dc Power/Alarm

dc/AISG Pass-through, combiner Branch 1

dc/AISG Pass-through, demultiplexer Branch 1

Lightning Surge Current 3 kA

Lightning Surge Current Waveform 10/350 waveform

Electrical Specifications

Sub-module	1 2	1 2
Branch	1	2

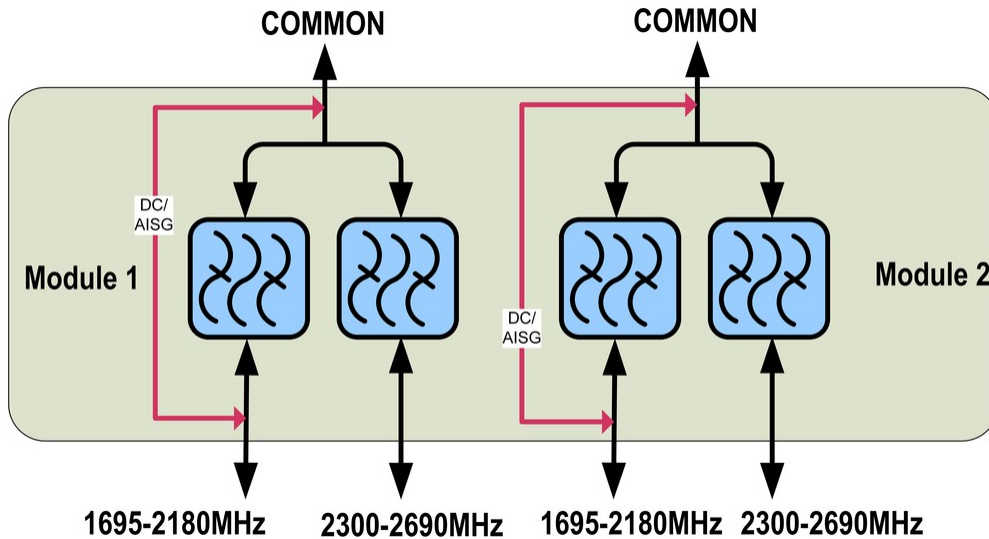
CBC1726-DL-2X | E11F02P51

Port Designation	1710-2170	2300-2690
License Band	AWS 1700, Band Pass DCS 1800, Band Pass IMT 2100, Band Pass PCS 1900, Band Pass TDD 1900, Band Pass TDD 2000, Band Pass	IMT 2600, Band Pass WCS 2300, Band Pass TDD 2300, Band Pass TDD 2600, Band Pass

Electrical Specifications, Band Pass

Frequency Range, MHz	1710-2170	2300-2690
Insertion Loss, maximum, dB	0.4	0.4
Insertion Loss, typical, dB	0.3	0.35
Total Group Delay, maximum, ns	30	30
Return Loss, minimum, dB	18	18
Return Loss, typical, dB	20	20
Isolation, minimum, dB	50	50
Input Power, PEP, maximum, W	3500	3500
3rd Order PIM, typical, dBc	-155	-155
3rd Order PIM Test Method	2 x 20 W CW tones	2 x 20 W CW tones

Block Diagram



Environmental Specifications

Operating Temperature	-40 °C to +60 °C (-40 °F to +140 °F)
Relative Humidity	Up to 100%

CBC1726-DL-2X | E11F02P51

Corrosion Test Method IEC 60068-2-11, 30 days

Ingress Protection Test Method IEC 60529:2001, IP67

Packaging and Weights

Included Mounting hardware

Volume 2.3 L

Weight, net 5 kg | 11.023 lb