

D-AWS-10-B-EF



AWS In-Band Diplexer Tuning version 3, AWS B/EF Bands with AISG /DC Sense

This product will be discontinued on: March 30, 2024

Product Classification

Product Type Diplexer

General Specifications

Application Indoor | Outdoor

Antenna Interface 7-16 DIN Female

Connector Interface Style Long neck

Rx Interface 7-16 DIN Female

Dimensions

Height 203 mm | 7.992 in

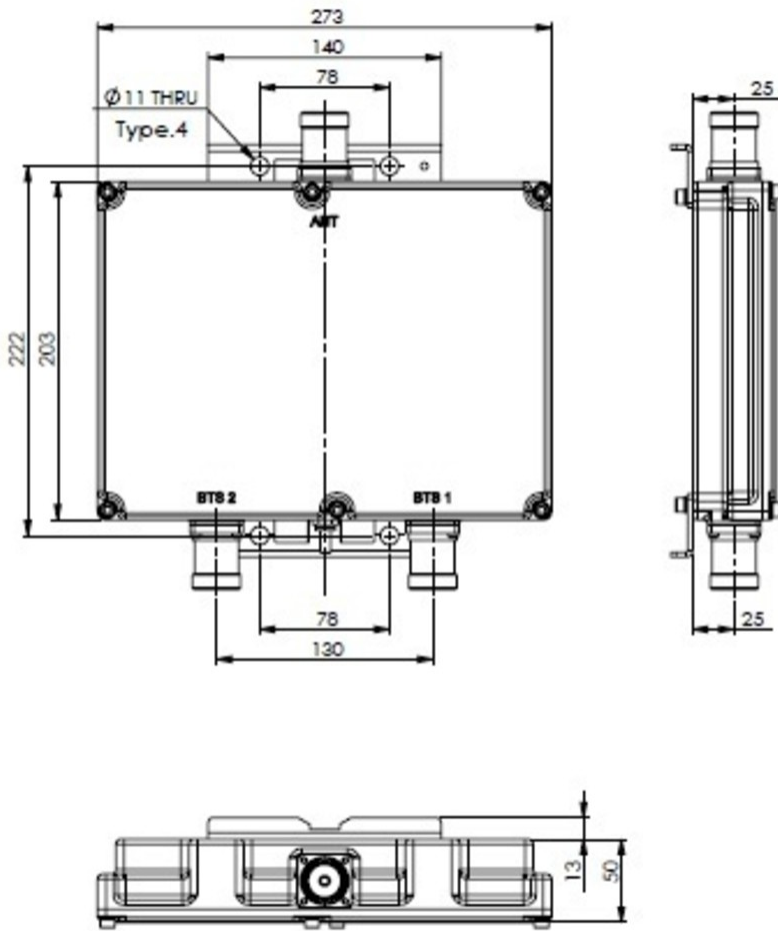
Width 273 mm | 10.748 in

Depth 50 mm | 1.969 in

Ground Screw Diameter 5 mm | 0.197 in

D-AWS-10-B-EF

Outline Drawing



Electrical Specifications, Rx (Uplink)

Frequency Band	1720 – 1730 MHz
Insertion Loss, typical	0.5 dB
Return Loss, minimum	18 dB
Isolation, minimum	25 dB

Electrical Specifications 2, Rx (Uplink)

Frequency Band	1740 – 1755 MHz
Isolation, minimum	25 dB
Insertion Loss, typical	0.5 dB

D-AWS-10-B-EF

Return Loss, minimum 18 dB

Electrical Specifications, Tx (Downlink)

Frequency Band 2120 – 2130 MHz

Isolation, minimum 30 dB

Input Power, PEP, maximum 5000 W

Total Group Delay, maximum 50 ns

Insertion Loss, typical 0.5 dB

Return Loss, minimum 18 dB

Electrical Specifications 2, Tx (Downlink)

Frequency Band 2140 – 2155 MHz

Input Power, PEP, maximum 5000 W

Insertion Loss, typical 0.5 dB

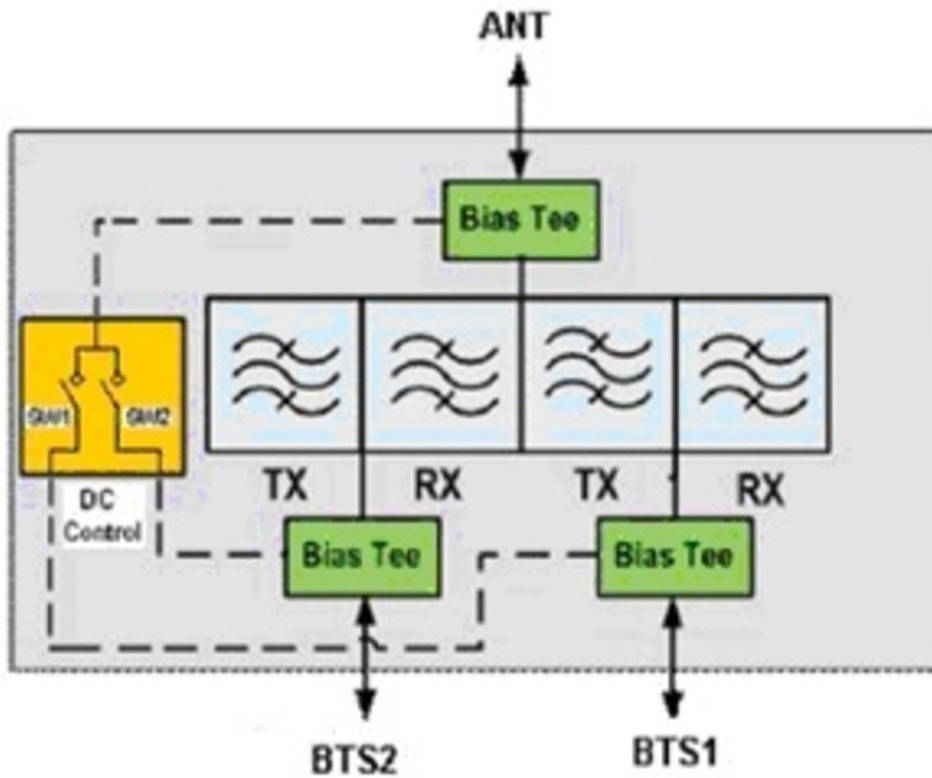
Isolation, minimum 30 dB

Return Loss, minimum 18 dB

Total Group Delay, maximum 50 ns

Block Diagram

D-AWS-10-B-EF



Environmental Specifications

Operating Temperature	-40 °C to +60 °C (-40 °F to +140 °F)
Ingress Protection Test Method	IEC 60529:2001, IP67

Packaging and Weights

Included	Brackets
Weight, without mounting hardware	3.2 kg 7.055 lb