

E14F10P09



Single Triplexer 700-800//900//1800-2600 MHz, (DC Smart Bypass), 4.3-10 connectors

- New 4.3-10 connectors for improved PIM performance and size reduction
- Designed for network modernization application, introduction of LTE700 and LTE800 on existing site
- Industry leading PIM performance
- DC/AISG SMART bypass functionality

Product Classification

Product Type Triplexer

General Specifications

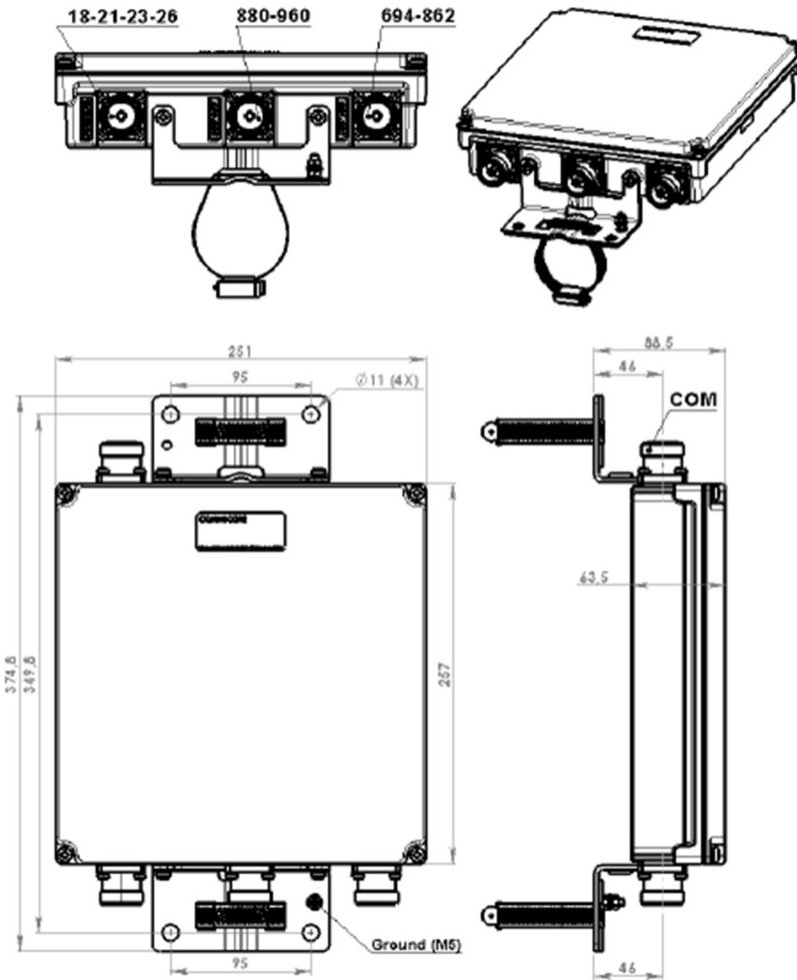
Product Family CBC7926
Color Gray
Common Port Label COM
Modularity 1-Single
Mounting Pole | Wall
Mounting Pipe Hardware Band clamps (2)
RF Connector Interface 7-16 DIN Female
RF Connector Interface Body Style Medium neck

Dimensions

Height 257 mm | 10.118 in
Width 251 mm | 9.882 in
Depth 63.5 mm | 2.5 in
Mounting Pipe Diameter Range 42.6–122 mm

Outline Drawing

E14F10P09



Electrical Specifications

Impedance	50 ohm
License Band, Band Pass	APT 700 AWS 1700 CEL 900 DCS 1800 EDD 800 IMT 2100 IMT 2600 LMR 750 PCS 1900 USA 700 USA 750

Electrical Specifications, dc Power/Alarm

dc/AISG Pass-through Method	Auto sensing
dc/AISG Pass-through Path	See logic table
dc/AISG Pass-through, combiner	dc Sensing
Lightning Surge Current	5 kA
Lightning Surge Current Waveform	8/20 waveform

E14F10P09

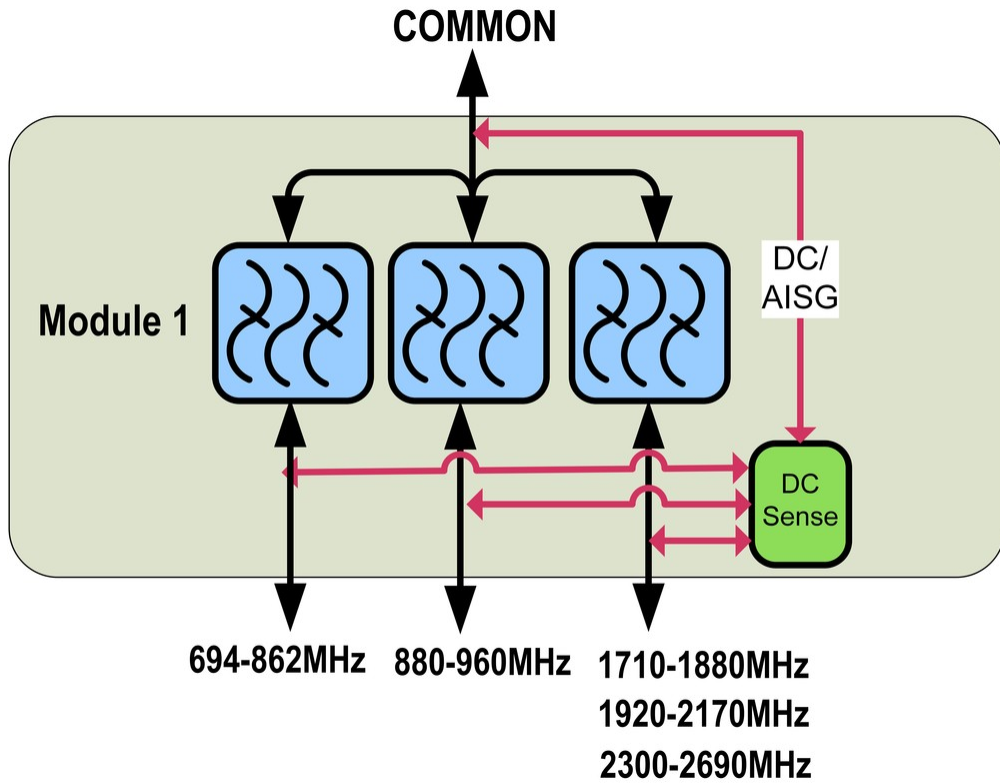
Electrical Specifications

Sub-module	1 2	1 2	1 2
Branch	1	2	3
Port Designation	DD2-800	900	18-21-23-26
License Band	APT 700, Band Pass EDD 800, Band Pass LMR 750, Band Pass USA 700, Band Pass USA 750, Band Pass	CEL 900, Band Pass	AWS 1700, Band Pass DCS 1800, Band Pass IMT 2100, Band Pass IMT 2600, Band Pass PCS 1900, Band Pass

Electrical Specifications, Band Pass

Frequency Range, MHz	694–862	880–960	1710–2690
Insertion Loss, typical, dB	0.35	0.3	0.35
Return Loss, minimum, dB	18	18	18
Return Loss, typical, dB	22	22	22
Isolation, minimum, dB	50	50	50
Input Power, RMS, maximum, W	300	300	300
Input Power, PEP, maximum, W	3000	3000	3000
3rd Order PIM, typical, dBc	-160	-160	-160
3rd Order PIM Test Method	Two +43 dBm carriers	Two +43 dBm carriers	Two +43 dBm carriers

Block Diagram



E14F10P09

Logic Table

COMBINER Mode: One of three Ports (1-3) is selected to the COM port												
MODE	COM	PORT 3 694-862	PORT 2 880-960	PORT 1 18-21-23-26	COM	PORT 3 694-862	PORT 2 880-960	PORT 1 18-21-23-26	PORT 3 694-862	PORT 2 880-960	PORT 1 18-21-23-26	
COMBINER Mode	Input Voltage				Selected Port				Led			
	<7V	<7V	<7V	>7V	ON	OFF	OFF	ON	off	off	Green	
	<7V	<7V	>7V	<7V	ON	OFF	ON	OFF	off	Green	off	
	<7V	>7V	<7V	<7V	ON	ON	OFF	OFF	Green	off	off	
	<7V	<7V	>7V	>7V	ON	OFF	OFF	ON	off	Red	Green	
	<7V	>7V	<7V	>7V	ON	OFF	OFF	OFF	Red	off	Green	
	<7V	>7V	>7V	<7V	ON	OFF	ON	OFF	Green	Red	off	
	<7V	>7V	>7V	>7V	ON	OFF	OFF	OFF	Red	Red	Green	

Note: LED indication is referred to normal (no alarm state)

SPLITTER Mode: COM Port is split to Ports (1-3) with valid impedance												
MODE	COM	PORT 3 694-862	PORT 2 880-960	PORT 1 18-21-23-26	COM	PORT 3 694-862	PORT 2 880-960	PORT 1 18-21-23-26	PORT 3 694-862	PORT 2 880-960	PORT 1 18-21-23-26	
SPLITTER Mode	DC Port Impedance Ports 1,2,3,4 Voltage <7V				Selected Port				Led			
	>7V	short	short	open/load	ON	OFF	OFF	ON	OFF	OFF	Green	
	>7V	short	open/load	short	ON	OFF	ON	OFF	OFF	Green	OFF	
	>7V	short	open/load	open/load	ON	OFF	ON	ON	OFF	Green*	Green*	
	>7V	open/load	short	short	ON	ON	OFF	OFF	Green	OFF	OFF	
	>7V	open/load	short	open/load	ON	ON	OFF	ON	Green*	OFF	Green*	
	>7V	open/load	open/load	short	ON	ON	ON	OFF	Green*	Green*	OFF	
	>7V	open/load	open/load	open/load	ON	ON	ON	ON	Green*	Green*	Green*	
	>7V	short	short	short	ON	OFF	OFF	OFF	OFF	OFF	OFF	

*If the input voltage is from 7V to 19V, the green LEDs will be on one at a time, each for 2 seconds indicating DC voltage is available at the RF port corresponding to the LED Green lighted
Alternating LEDs is merely a mechanism to save power consumption.

Environmental Specifications

Operating Temperature	-40 °C to +65 °C (-40 °F to +149 °F)
Relative Humidity	Up to 100%
Corrosion Test Method	IEC 60068-2-11, 30 days
Ingress Protection Test Method	IEC 60529:2001, IP67

Packaging and Weights

Included	Mounting hardware
Volume	4.1 L
Weight, net	4.5 kg 9.921 lb
Weight, without mounting hardware	4 kg 8.818 lb

Regulatory Compliance/Certifications

Agency	Classification
ISO 9001:2015	Designed, manufactured and/or distributed under this quality management system



E14F10P09
