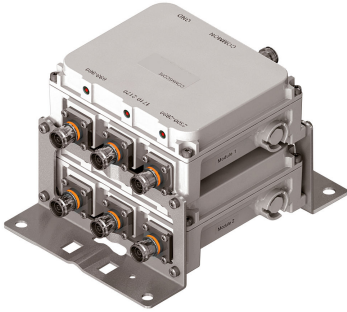


E14F10P16



Twin Triplexer 698-960//1710-2170//2300-2690 MHz, dc smart bypass, with 4.3-10 connectors

- DC/AISG SMART bypass functionality
- Twin configuration
- New 4.3-10 connectors for improved PIM performance and size reduction

Product Classification

Product Type Triplexer

General Specifications

Color Gray

Common Port Label COM

Modularity 2-Twin

Mounting Pole | Wall

Mounting Pipe Hardware Band clamps (2)

RF Connector Interface 4.3-10 Female

RF Connector Interface Body Style Long neck

Dimensions

Height 262 mm | 10.315 in

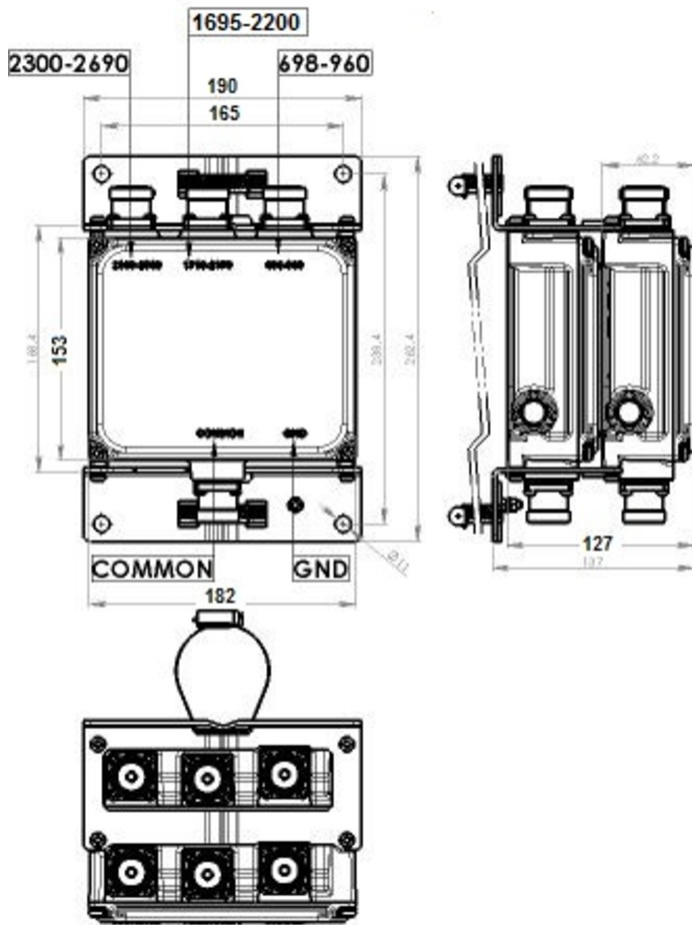
Width 190 mm | 7.48 in

Depth 137 mm | 5.394 in

Mounting Pipe Diameter Range 42.6–122 mm

E14F10P16

Outline Drawing



Electrical Specifications

Impedance 50 ohm

Electrical Specifications, dc Power/Alarm

dc/AISG Pass-through, combiner dc Smart Bypass

dc/AISG Pass-through, demultiplexer dc Smart Bypass

Lightning Surge Current 5 kA

Lightning Surge Current Waveform 8/20 waveform

Electrical Specifications

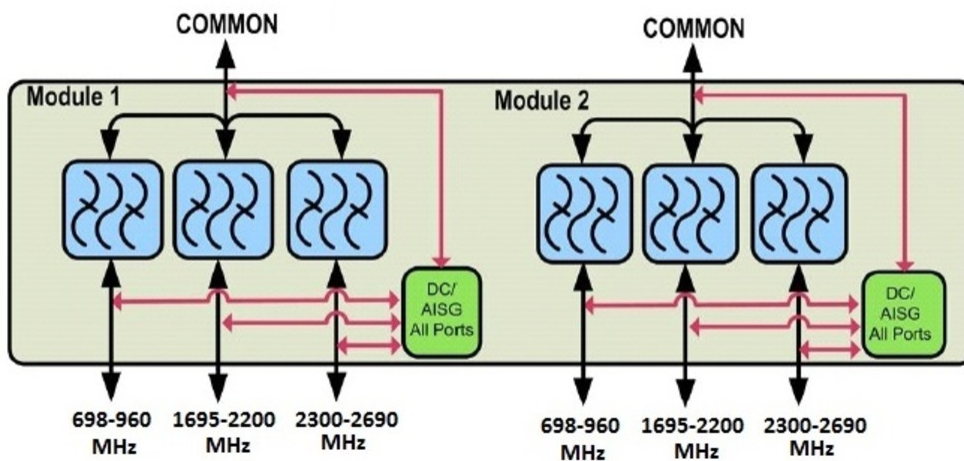
E14F10P16

Sub-module	1 2	1 2	1 2
Branch	1	2	3
Port Designation	698-960	1710-2170	2300-2690
License Band	CEL 900, Band Pass	AWS 2000, Band Pass IMT 2100, Band Pass	TDD 2600, Band Pass TDD 2300, Band Pass WCS 2300, Band Pass

Electrical Specifications, Band Pass

Frequency Range, MHz	698–960	1710–2170	2300–2690
Insertion Loss, typical, dB	0.15	0.3	0.35
Return Loss, typical, dB	20	20	20
Isolation, minimum, dB	50	50	50
3rd Order PIM, typical, dBc	-155	-155	-155
3rd Order PIM Test Method	Two +43 dBm carriers	Two +43 dBm carriers	Two +43 dBm carriers

Block Diagram



Environmental Specifications

Operating Temperature	-40 °C to +65 °C (-40 °F to +149 °F)
Relative Humidity	Up to 100%
Corrosion Test Method	IEC 60068-2-11, 30 days
Ingress Protection Test Method	IEC 60529:2001, IP68

Packaging and Weights

Included	Mounting hardware
Volume	3.9 L

E14F10P16

Weight, net

6.3 kg | 13.889 lb

Regulatory Compliance/Certifications

Agency

ISO 9001:2015

Classification

Designed, manufactured and/or distributed under this quality management system

