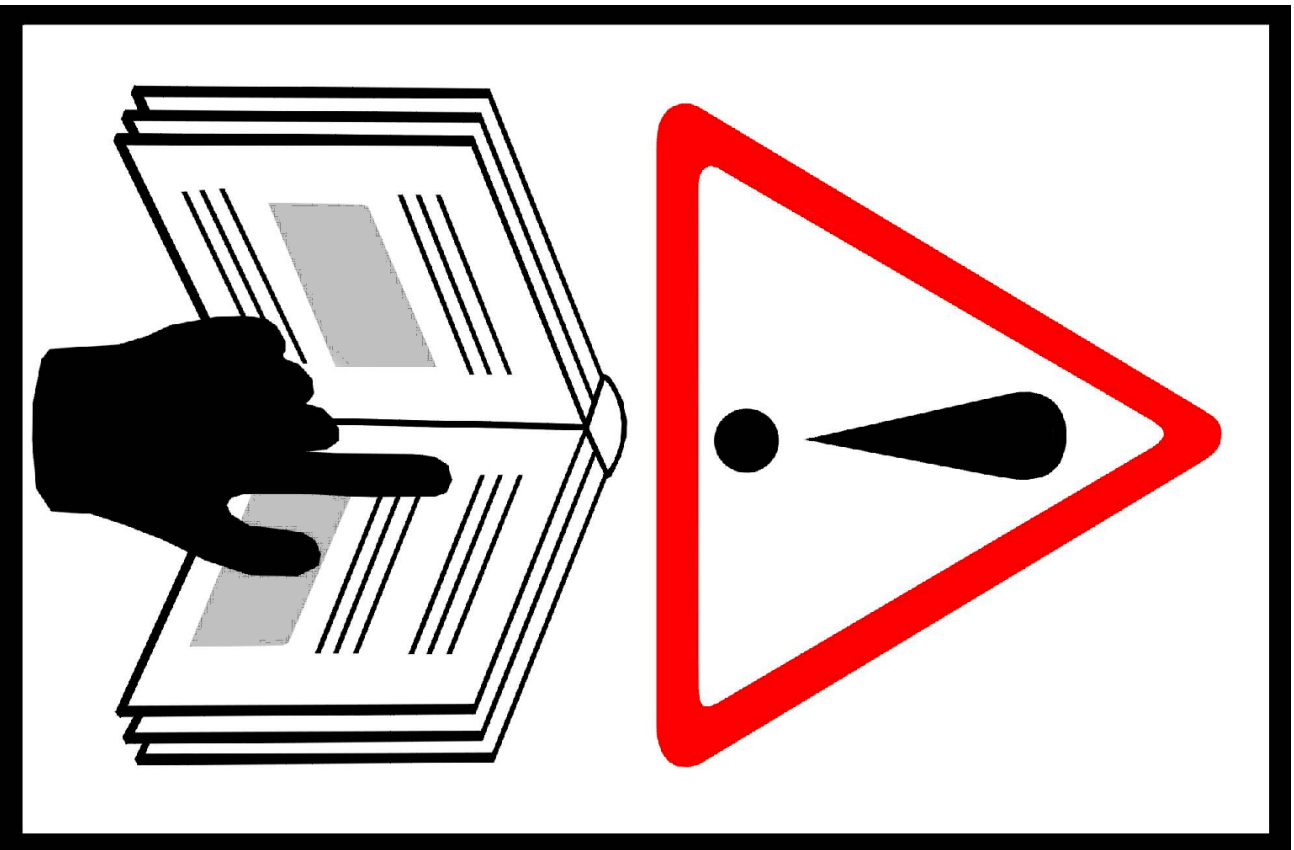




7776790 Rev:B

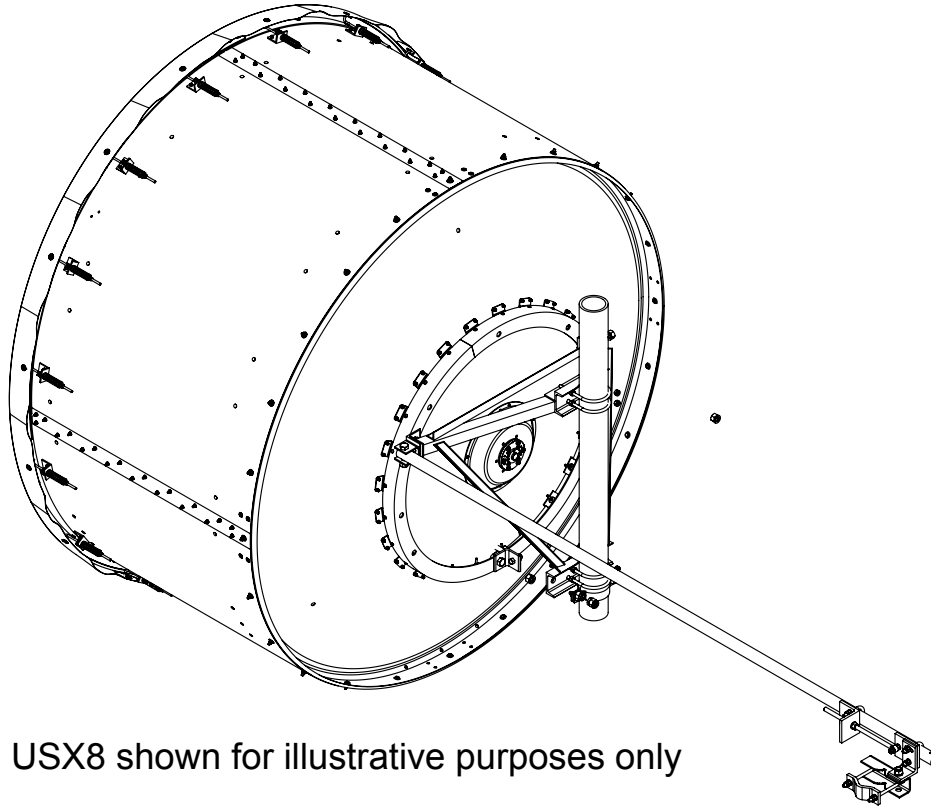


**IMPORTANT!**

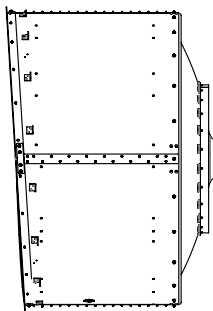
**INSTALLATION  
INSTRUCTIONS**

**READ THIS  
MANUAL FULLY  
BEFORE STARTING  
INSTALLATION**

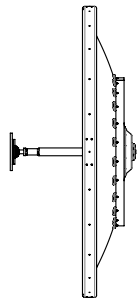
## Radome installation instructions



USX8 shown for illustrative purposes only

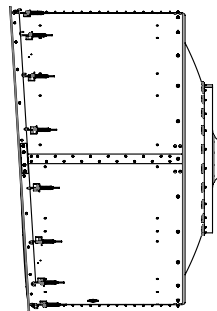


Shield

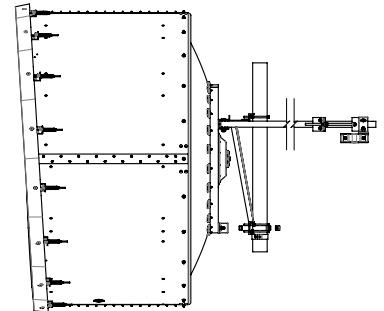


Feed

Shield omitted for clarity



Radome



Mount

## Sequence of Antenna Assembly

**Always read the entire manual before commencing installation**

### CommScope

1100 CommScope Place SE P.O. Box 339, Hickory, NC 28603-0339  
(828) 324-2200 (800) 982-1708  
www.commscope.com

Notice: CommScope disclaims any liability or responsibility for the results of improper or unsafe installation, inspection, maintenance, or removal practices.

Aviso: CommScope no acepta ninguna obligación ni responsabilidad como resultado de prácticas incorrectas o peligrosas de instalación, inspección, mantenimiento o retiro. Avis: CommScope décline toute responsabilité pour les conséquences de procédures d'installation, d'inspection, d'entretien ou de retrait incorrectes ou dangereuses. Hinweis: CommScope lehnt jede Haftung oder Verantwortung für Schäden ab, die aufgrund unsachgemäßer Installation, Überprüfung, Wartung oder Demontage auftreten.

Atenção: A CommScope abdica do direito de toda responsabilidade pelos resultados de práticas inadequadas e sem segurança de instalação, inspeção, manutenção ou remoção. Avvertenza: CommScope declina eventuali responsabilità derivanti dall'esecuzione di procedure di installazione, ispezione, manutenzione e smontaggio improprie o poco sicure.

注意: CommScope 公司申明對於不恰當或不安全的安裝、檢驗、維修或拆卸操作所導致的後果不負任何義務和責任  
© June, 2018 CommScope

### Customer Service 24 hours

North America: +1-800-255-1479 (toll free)  
Any country: +1-779-435-6500  
email: acicustomersupportcenter@commscope.com



**LIST OF CONTENTS**

<b><u>SECTION</u></b>	<b><u>TITLES</u></b>
1	CONTENTS
2	SAFETY INSTRUCTIONS Including Introduction, Standards, Safety Requirements, Safety Symbols, Definitions and Hazards.
3	COMPONENTS
4	APPLYING FLEX TRIM
5	INSTALLING J-BOLTS ONTO BRACKETS
6	FITTING RADOME
7	TIGHTENING PROCEDURE

**SAFETY INSTRUCTIONS****NOTE:**

Reduce the risk of accidents by studying all the instructions carefully before starting working.

The safety information in this document presupposes that any person performing work on CommScope products or systems has the education, training and competence required to perform the task correctly.

**SERVICE PERSONNEL**

Installation and service must be carried out by authorized personnel having the appropriate technical training and experience necessary to be cognizant of hazards during installation and service, and of measures to minimize any danger to themselves or any other person.

**SAFETY REQUIREMENTS & REGULATIONS**

The safety requirements in the following sections must be followed to avoid personal injury and damage to tangible property. Use local safety regulations where these are mandatory. The safety instructions in this document shall be used as a supplement to the local regulations.

In case of conflict between the safety instructions in this manual and the local safety regulations, the local safety regulations shall prevail if these are mandatory. If the local regulations are not mandatory the safety instructions in this manual shall prevail.

**SAFETY SYMBOLS & DEFINITIONS****HOISTING****WARNING!**

Falling objects can cause accidents.

- Use only tested and approved hoisting equipment in accordance with the instructions supplied with the equipment. Appropriately trained personnel must operate the hoisting device.
- Always hoist from a suitable location.
- Never walk under hoisted loads.
- Follow local regulations for safety clothing and safety equipment for hoisting or moving goods.

**WORKING AT HEIGHTS****WARNING!**

Some working areas involve the risk of accidents caused by falling or by falling objects

**INSTALLATION HARDWARE**

Do not use any installation components (for example screws and nuts) other than those enclosed with the equipment or recommended by CommScope.

**INSTALLATION PROCEDURES & TOOLS**

The installation procedures in this manual must be followed. Make sure that:

- Working instructions are followed.
- Recommended tools are used.
- Adequate safety devices are used.
- The risk of falling and falling objects is known.
- All hardware is tightened to the torques specified  $\pm 5\%$ . The integrity of the antenna depends on all fasteners being tightened correctly.

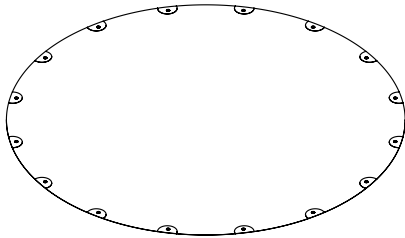
**ANNUAL INSPECTION**

Antenna systems should be inspected once a year by qualified personnel to verify proper installation, maintenance and condition of equipment.

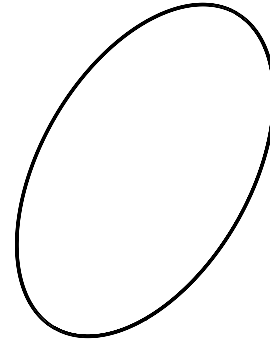
Fabric radomes are used with shielded type antennas. The radome provides protection against weather, physical damage to the antenna feed and reduces windload.

**CAUTION:**

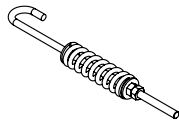
Do not replace radome on an installed antenna without first shutting off RF power.



Radome



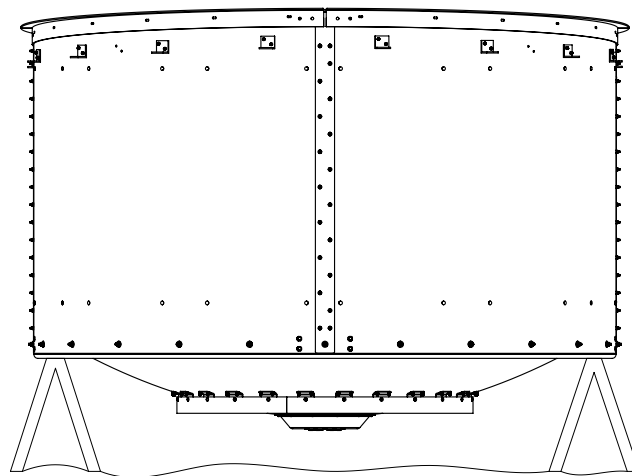
Flexible trim



J-bolt

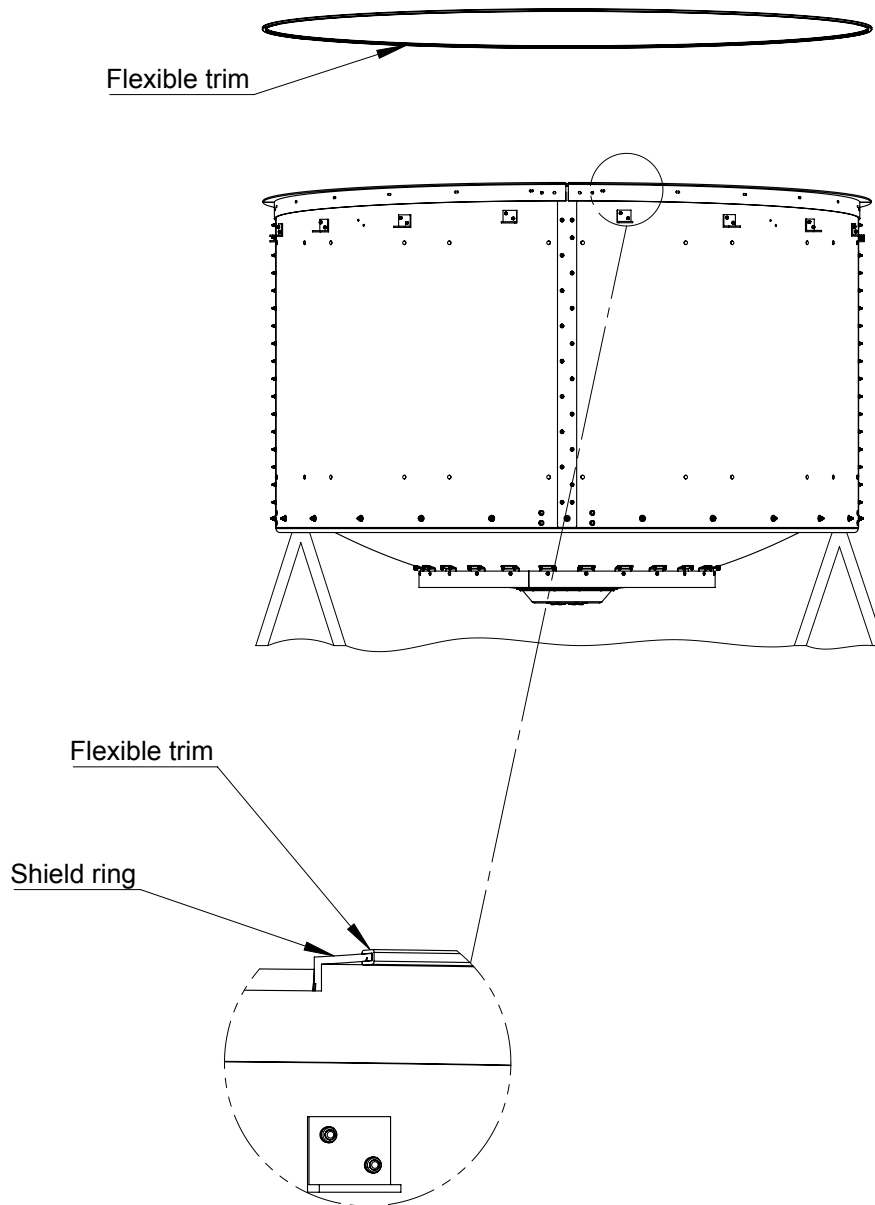


Retainer clip

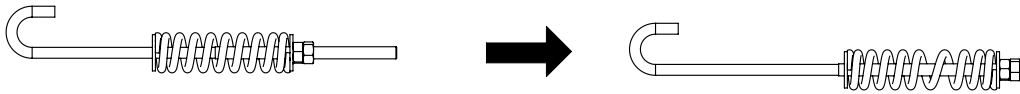


Antenna on wooded frame

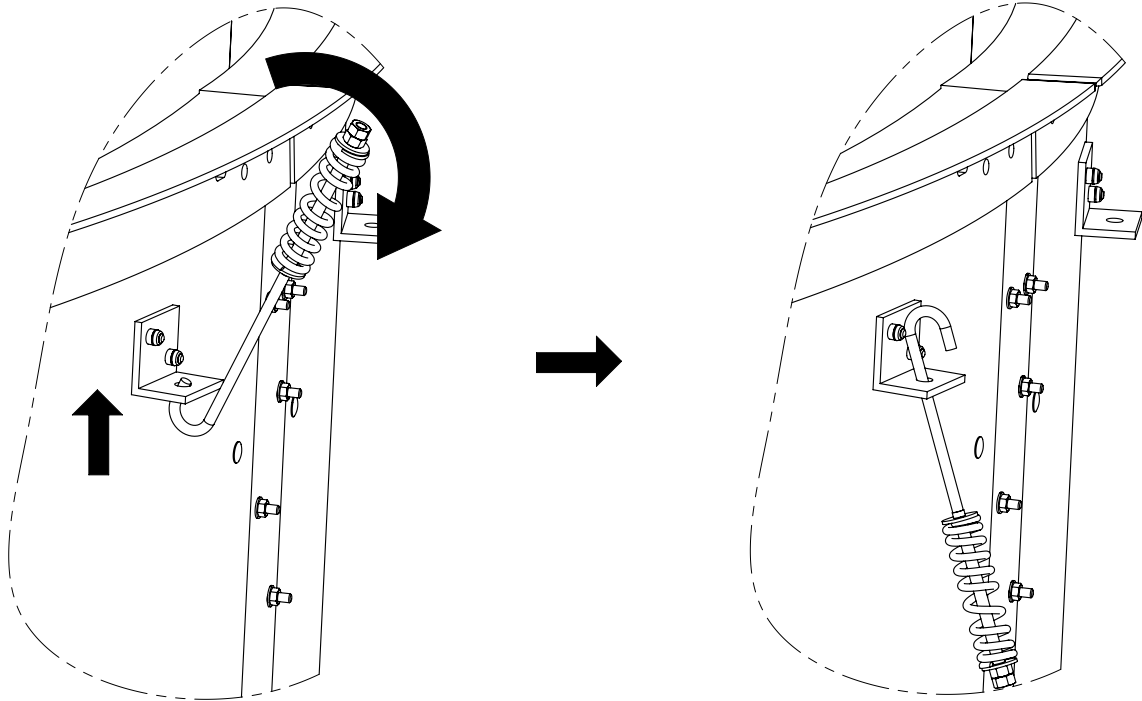
1. Fit flexible trim, cut off excess so that the ends meet tightly



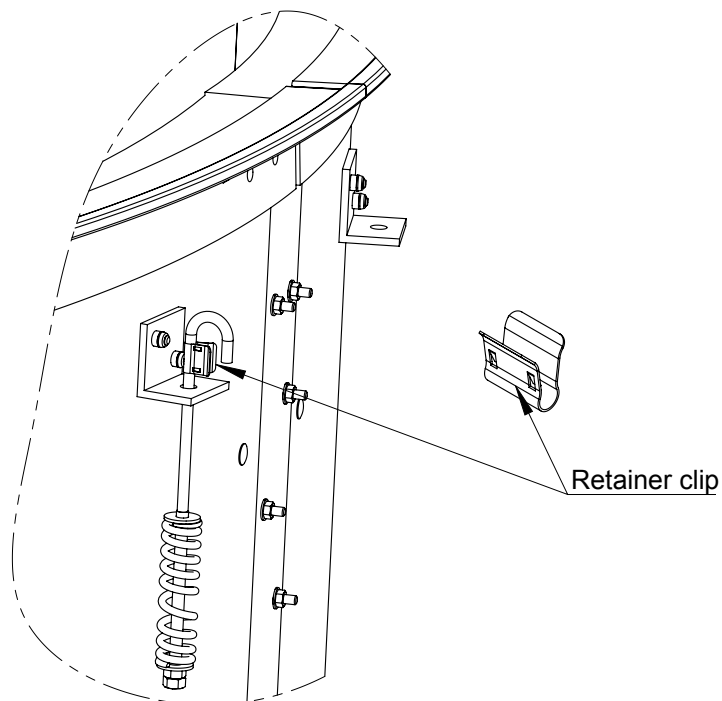
2. Install J-Bolts onto Brackets on Antenna Shield Assembly.



Back-off nut / washer / spring to bottom of J-Bolt

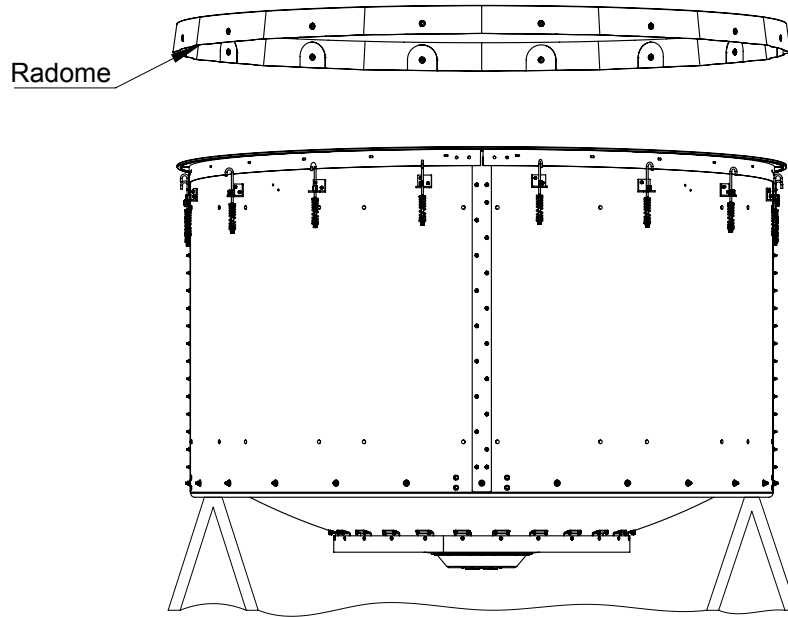


After assembling J-bolt to bracket on antenna. Push fit retainer clip onto J-Bolt as shown.

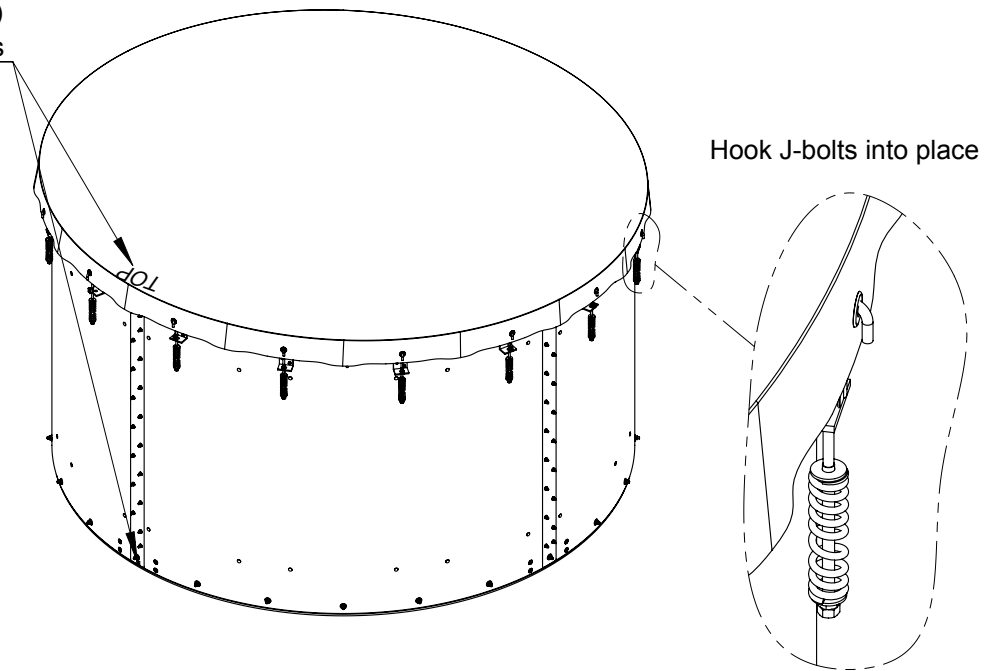





3. Fit Radome.

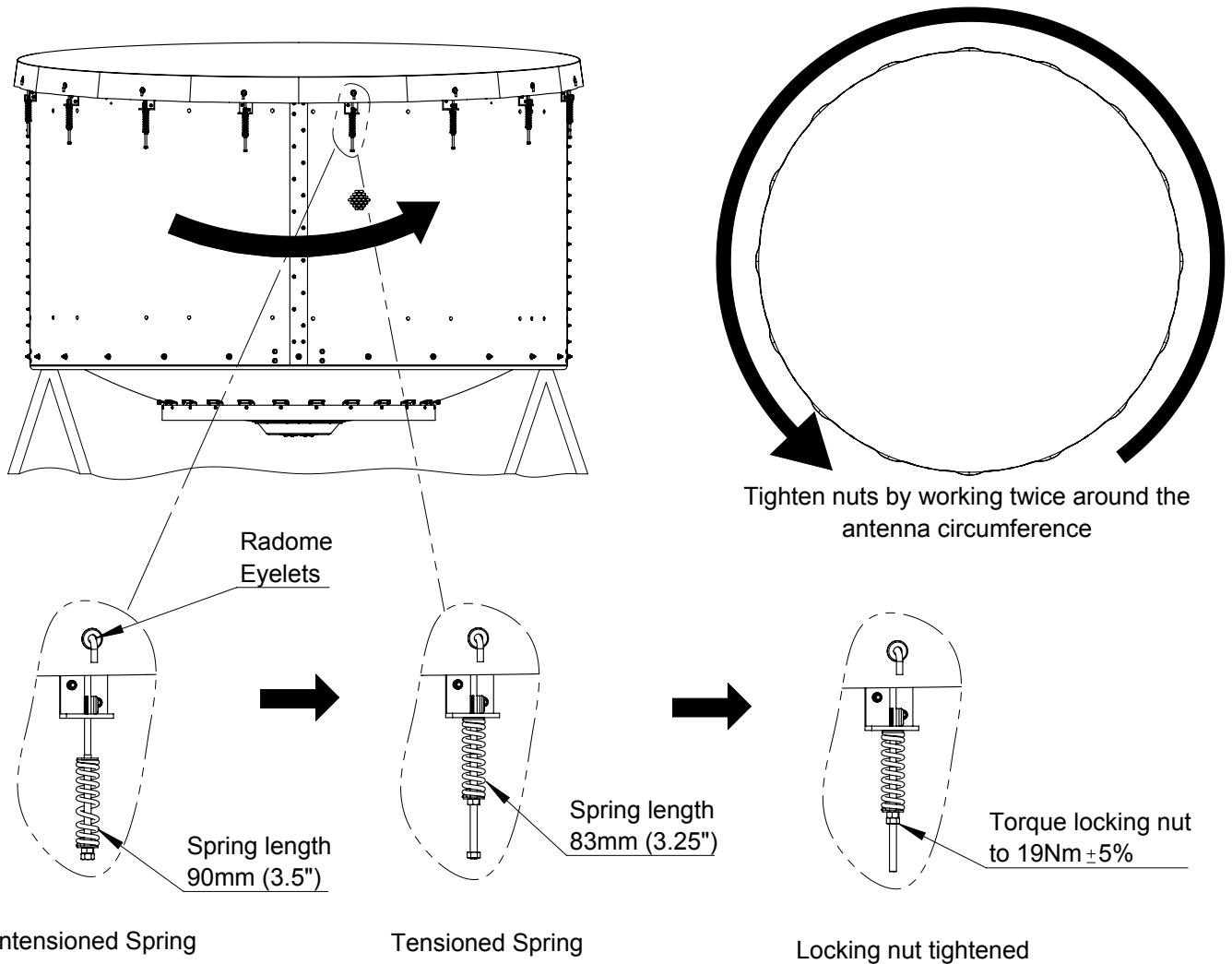


Align "Top" (printed on underside of radome) to red tape on shields



4. Tension Radome.

 Tightening the j-bolt nuts in a crossing pattern will distort the reflector.



After all J-bolts have been installed tighten nut on each J-bolt to remove bolt slack. This should leave spring untensioned and approx. 90mm (3.5") in length. Next, tighten the nut until the spring has a length of approx. 83mm (3.25").

**WORKING IN CIRCUMFERENCE AROUND THE SHIELD.**

To reach uniform spring length will require tightening nuts around the shield two times.

After a day or so, the radome will have stretched slightly increasing the spring length. This is normal, do not make any further adjustments.