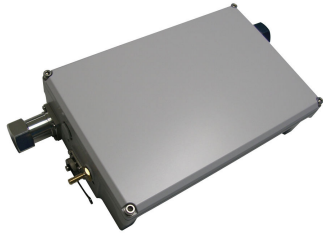


E15R05P06



Tower Mounted Amplifier, Single GSM/UMTS 900 with AISG

OBSOLETE

This product was discontinued on: **December 31, 2023**

Replaced By:

E16R01P97

Tower Mounted Amplifier, Dual GSM/UMTS 900 with AISG

Product Classification

Product Type 1-BTS:1-ANT (Uniplex) | Tower mounted amplifier

General Specifications

Color Gray

Modularity 1-Single

Mounting Pole | Wall

Mounting Pipe Hardware Band clamps (2)

RF Connector Interface 7-16 DIN Female

RF Connector Interface Body Style Long neck

Dimensions

Height 260 mm | 10.236 in

Width 170 mm | 6.693 in

Depth 71 mm | 2.795 in

Ground Screw Diameter 8 mm | 0.315 in

Mounting Pipe Diameter Range 40–160 mm

Electrical Specifications

License Band, LNA CEL 900

E15R05P06

Electrical Specifications, dc Power/Alarm

Lightning Surge Current	10 kA
Lightning Surge Current Waveform	8/20 waveform
Operating Current at Voltage	105 mA @ 12 Vdc
Operating Current Tolerance	±20 mA
Voltage	7–30 Vdc
Alarm Current, CWA Mode	250 mA ±10 mA

Electrical Specifications, AISG

AISG Connector	8-pin DIN Female
AISG Connector Standard	IEC 60130-9
Protocol	AISG 2.0
Voltage, AISG Mode	10–30 Vdc

Electrical Specifications

Sub-module	1
Branch	1
Port Designation	ANT
License Band	CEL 900, LNA
Return Loss - Bypass Mode, typical, dB	14
TX Band Rejection, minimum, dB	80

Electrical Specifications Rx (Uplink)

Frequency Range, MHz	880–915
Bandwidth, MHz	35
Gain, nominal, dB	12
Gain Tolerance, dB	±1
Noise Figure, maximum, dB	1.6
Noise Figure, typical, dB	1.3
Group Delay Variation, maximum, ns	60
Group Delay Variation Bandwidth, MHz	5
Total Group Delay, maximum,	200

E15R05P06

ns

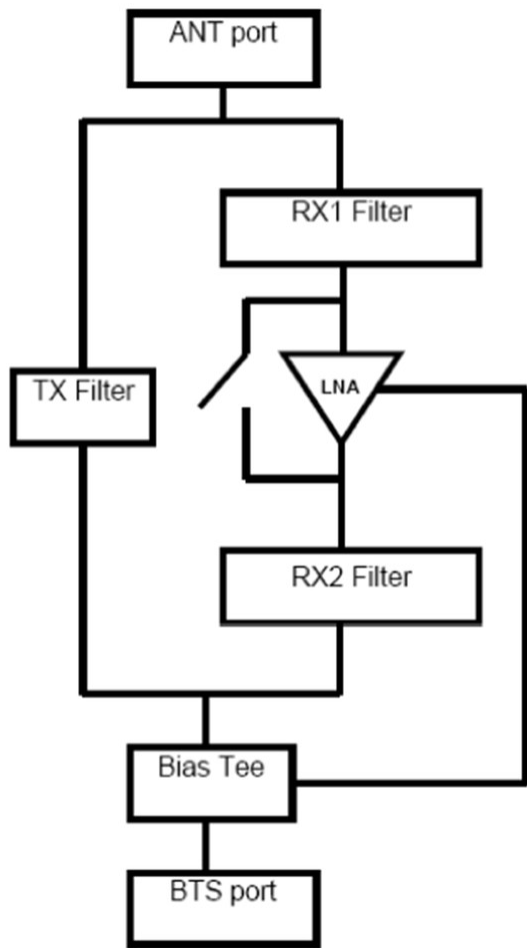
Output IP3, minimum, dBm	22
Return Loss, minimum, dB	18
Insertion Loss - Bypass Mode, typical, dB	3

Electrical Specifications Tx (Downlink)

Frequency Range, MHz	925–960
Bandwidth, MHz	35
Insertion Loss, maximum, dB	0.7
Insertion Loss Ripple, maximum, dB	0.5
Group Delay Variation, maximum, ns	28
Group Delay Variation Bandwidth, MHz	5
Total Group Delay, maximum, ns	78
Return Loss, minimum, dB	18
RX Band Rejection, minimum, dB	40
Input Power, RMS, maximum, W	200
Input Power, PEP, maximum, W	5000
3rd Order PIM, maximum, dBc	-159
3rd Order PIM Test Method	Two +43 dBm carriers

E15R05P06

Block Diagram



Material Specifications

Finish Painted

Environmental Specifications

Operating Temperature -40 °C to +65 °C (-40 °F to +149 °F)

Relative Humidity Up to 100%

Corrosion Test Method IEC 60068-2-11, 30 days

Ingress Protection Test Method IEC 60529:2001, IP67

Packaging and Weights

E15R05P06

Included Mounting hardware

Weight, net 4.5 kg | 9.921 lb

Regulatory Compliance/Certifications

Agency

ISO 9001:2015



Classification

Designed, manufactured and/or distributed under this quality management system

* Footnotes

License Band, LNA License Bands that have RxUplink amplification