

# E15S02P69



Dual Band Tower Mounted Amplifier, 1800//2600 MHz, 12 dB, 2 BTS & 4 ANT ports, AISG with 1 RET connector (2 devices with 2 sub-units each)

## OBSOLETE

This product was discontinued on: July 1, 2022

### Replaced By:

E16S02P69

Dual Band Tower Mounted Amplifier, 1800//2600 MHz, 12 dB, 2 BTS & 4 ANT ports, with 4.3-10 connectors, AISG with 1 RET connector (2 devices with 2 sub-units each)

## Product Classification

**Product Type** 1-BTS:2-ANT (Diplex) | Tower mounted amplifier

## General Specifications

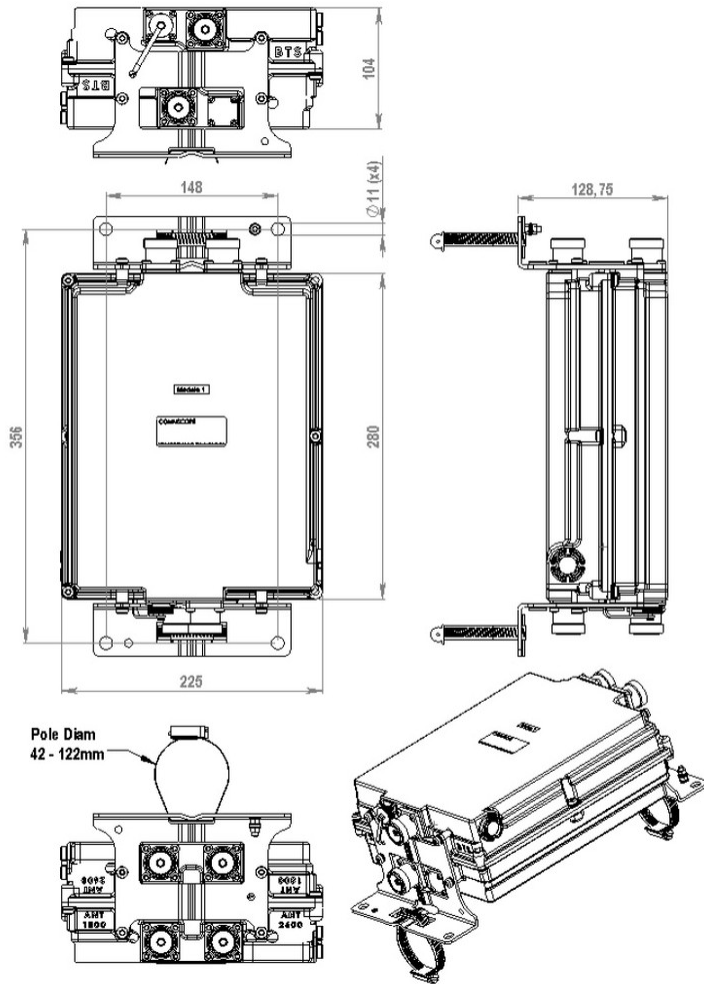
**Color** Gray  
**Modularity** 2-Twin  
**Mounting** Pole | Wall  
**Mounting Pipe Hardware** Band clamps (2)  
**RF Connector Interface** 7-16 DIN Female

## Dimensions

**Height** 280 mm | 11.024 in  
**Width** 225 mm | 8.858 in  
**Depth** 104 mm | 4.094 in  
**Mounting Pipe Diameter Range** 50–120 mm

# E15S02P69

## Outline Drawing



## Electrical Specifications

**License Band, LNA** DCS 1800 | IMT 2600

## Electrical Specifications, dc Power/Alarm

<b>dc Switching/Redundancy</b>	Yes
<b>Lightning Surge Current</b>	10 kA
<b>Lightning Surge Current Waveform</b>	8/20 waveform
<b>Voltage</b>	7-30 Vdc
<b>Alarm Current, CWA Mode</b>	190 mA $\pm$ 10 mA

## Electrical Specifications, AISG

# E15S02P69

<b>AISG Connector</b>	8-pin DIN Female
<b>AISG Connector Standard</b>	IEC 60130-9
<b>Protocol</b>	AISG 2.0
<b>Voltage, AISG Mode</b>	10–30 Vdc

## Electrical Specifications

<b>Sub-module</b>	<b>1   2</b>	<b>1   2</b>
<b>Branch</b>	1	2
<b>Port Designation</b>	ANT 1800	ANT 2600
<b>License Band</b>	DCS 1800, LNA	IMT 2600, LNA
<b>Return Loss - Bypass Mode, typical, dB</b>	14	14

## Electrical Specifications Rx (Uplink)

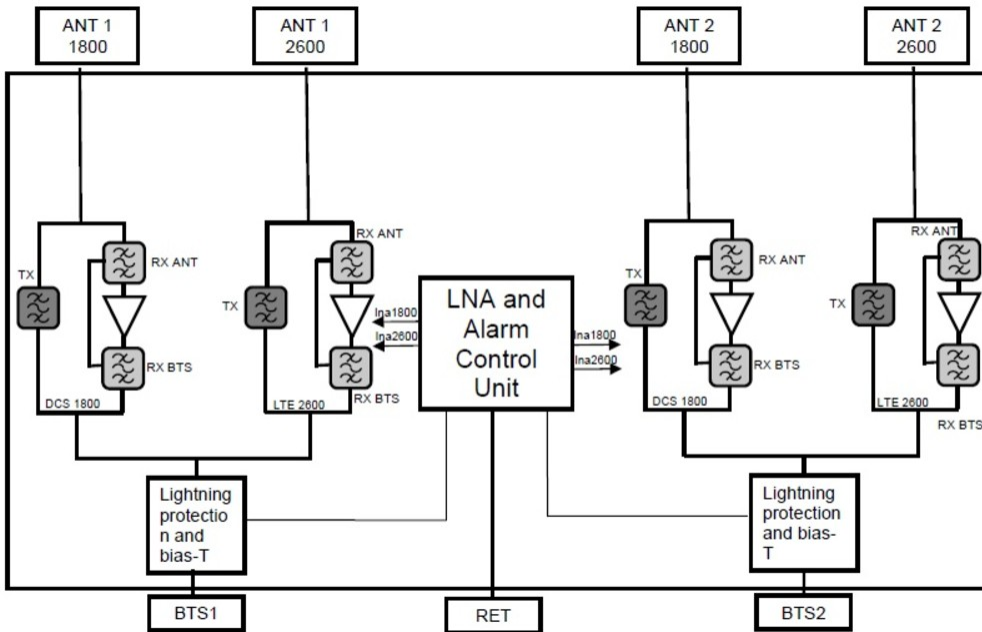
<b>Frequency Range, MHz</b>	<b>1710–1785</b>	<b>2500–2570</b>
<b>Bandwidth, MHz</b>	75	70
<b>Gain, nominal, dB</b>	12	12
<b>Noise Figure, typical, dB</b>	1.5	1.6
<b>Return Loss, minimum, dB</b>	18	18
<b>Insertion Loss - Bypass Mode, typical, dB</b>	3	3.3

## Electrical Specifications Tx (Downlink)

<b>Frequency Range, MHz</b>	<b>1805–1880</b>	<b>2620–2690</b>
<b>Bandwidth, MHz</b>	75	70
<b>Insertion Loss, typical, dB</b>	0.5	0.5
<b>Return Loss, minimum, dB</b>	18	18
<b>Input Power, RMS, maximum, W</b>	200	200
<b>Input Power, PEP, maximum, W</b>	2000	2000
<b>3rd Order PIM, typical, dBc</b>	-160	-160
<b>3rd Order PIM Test Method</b>	Two +43 dBm carriers Two +43 dBm carriers	

## Block Diagram

# E15S02P69



## Mechanical Specifications

**Wind Speed, maximum** 200 km/h | 124.274 mph

## Environmental Specifications

**Operating Temperature** -40 °C to +65 °C (-40 °F to +149 °F)

**Relative Humidity** Up to 100%

**Corrosion Test Method** IEC 60068-2-11, 30 days

**Ingress Protection Test Method** IEC 60529:2001, IP67

## Packaging and Weights

**Included** Mounting hardware

**Volume** 6.5 L

**Weight, net** 7 kg | 15.432 lb

## Regulatory Compliance/Certifications

### Agency

ISO 9001:2015

### Classification

Designed, manufactured and/or distributed under this quality management system



## \* Footnotes

**License Band, LNA** License Bands that have RxUplink amplification