

H-3-CPUSE-D-A16

Air Dielectric Hybrid Coupler, 555–2700 MHz



Product Classification

Regional Availability Asia | Australia/New Zealand | EMEA | Latin America | North America

Product Type Hybrid coupler

General Specifications

Device Type Hybrid

Application Indoor/Outdoor

Color Silver

Inner Contact Plating Silver

Interface 7-16 DIN Female

Outer Contact Plating Trimetal

Dimensions

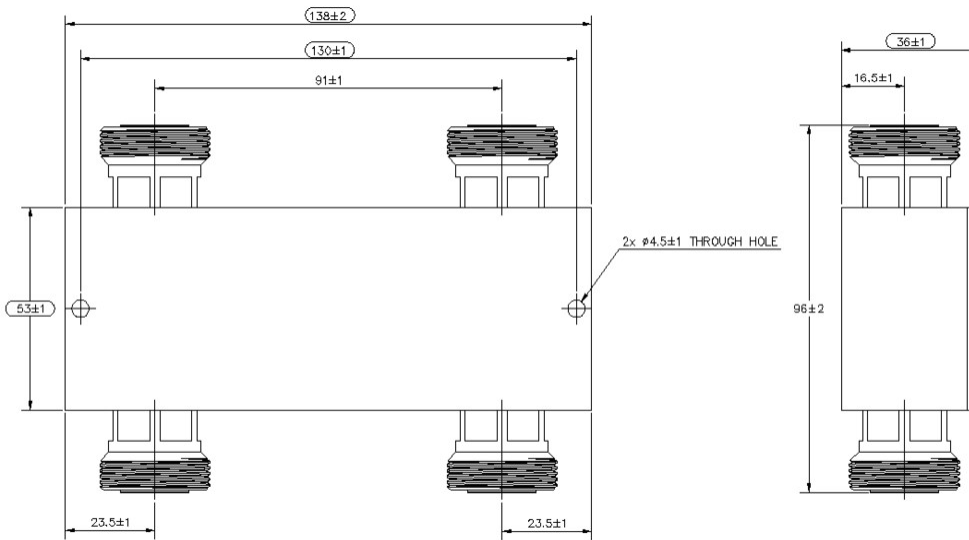
Height 36 mm | 1.417 in

Width 96 mm | 3.78 in

Length 138 mm | 5.433 in

Outline Drawing

H-3-CPUSE-D-A16



Electrical Specifications

3rd Order IMD	-160 dBc
3rd Order IMD Test Method	Two +43 dBm carriers
Insertion Loss at Frequency Band	0.2 dB @ 555–2700 MHz
Return Loss, minimum	20.8 dB
Average Power, maximum	200 W
Coupling	3.1 dB
Coupling Tolerance	±0.6dB @ 698–2700 MHz ±1.2dB @ 555–698 MHz
Impedance	50 ohm
Isolation at Frequency Band	28 dB @ 555–2700 MHz
Operating Frequency Band	555 – 2700 MHz
Peak Power, maximum	1 kW
Reflected Power, maximum	200 W
VSWR	1.2

Mechanical Specifications

Coupling Nut Proof Torque	25 N-m 221.269 in lb
----------------------------------	------------------------

Environmental Specifications

Operating Temperature	-35 °C to +85 °C (-31 °F to +185 °F)
------------------------------	--------------------------------------

H-3-CPUSE-D-A16

Relative Humidity	Up to 100%
Ingress Protection Test Method	IEC 60529:2001, IP65

Packaging and Weights

Height, packed	60 mm 2.362 in
Width, packed	110 mm 4.331 in
Length, packed	170 mm 6.693 in
Volume	1122 cc 68.469 in ³
Weight, gross	1 kg 2.205 lb
Weight, net	0.9 kg 1.984 lb

Regulatory Compliance/Certifications

Agency	Classification
CHINA-ROHS	Below maximum concentration value
ISO 9001:2015	Designed, manufactured and/or distributed under this quality management system
REACH-SVHC	Compliant as per SVHC revision on www.commscope.com/ProductCompliance
ROHS	Compliant

