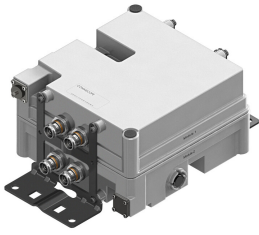


E14R00P50



Dual Band Tower Mounted Amplifier, 700/800 MHz, 12 dB, 4 BTS & 2 ANT ports, AISG with 1 RET connector, with 4.3-10 connectors (2 devices with 2 sub-units)

- Designed to boost UP-Link Coverage and KPIs
- TMA is operating in AISG & CWA mode, Alarm Current consumption CWA mode 190 mA
- 4 input ports and 2 output ports
- 2 devices with 2 sub-units
- Single AISG with 1 RET connector
- New 4.3-10 connectors for improved PIM performance and size reduction

Product Classification

Product Type 2-BTS:1-ANT | Tower mounted amplifier

General Specifications

Color Gray

Modularity 2-Twin

Mounting Pipe Hardware Band clamps (2)

RF Connector Interface 4.3-10 Female

Dimensions

Height 136 mm | 5.354 in

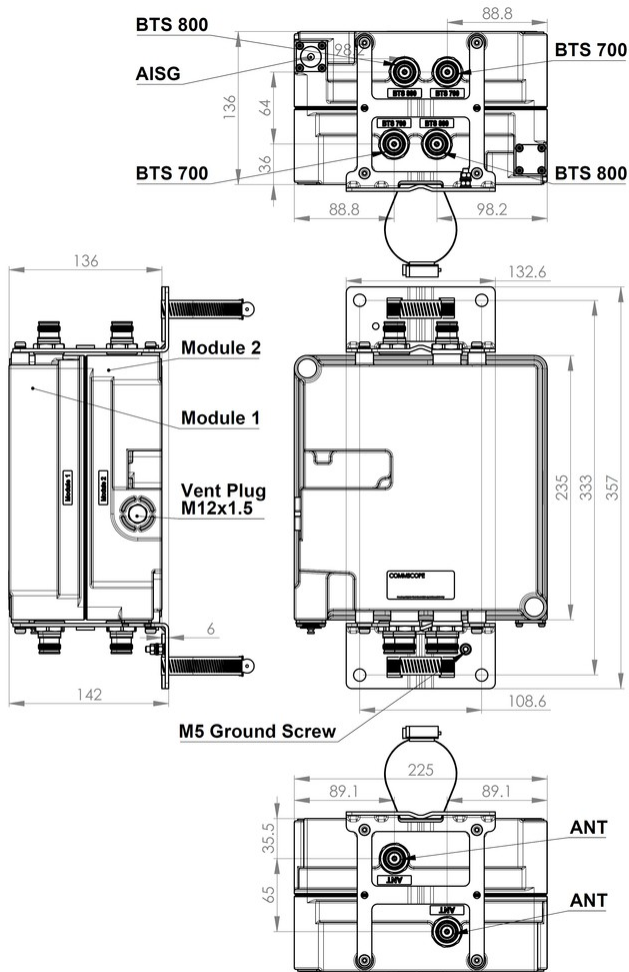
Width 225 mm | 8.858 in

Depth 235 mm | 9.252 in

Mounting Pipe Diameter Range 42.6–122 mm

Outline Drawing

E14R00P50



Electrical Specifications, dc Power/Alarm

dc Switching/Redundancy	Yes
Lightning Surge Current	10 kA
Lightning Surge Current Waveform	8/20 waveform
Voltage	7–30 Vdc

Electrical Specifications, AISG

AISG Connector	8-pin DIN Female
AISG Connector Standard	IEC 60130-9
Protocol	AISG 2.0
Voltage, AISG Mode	10–30 Vdc

E14R00P50

Electrical Specifications

Sub-module	1 2	1 2
Branch	1	2
Port Designation	BTS 700	BTS 800
Return Loss, typical, dB	20	20

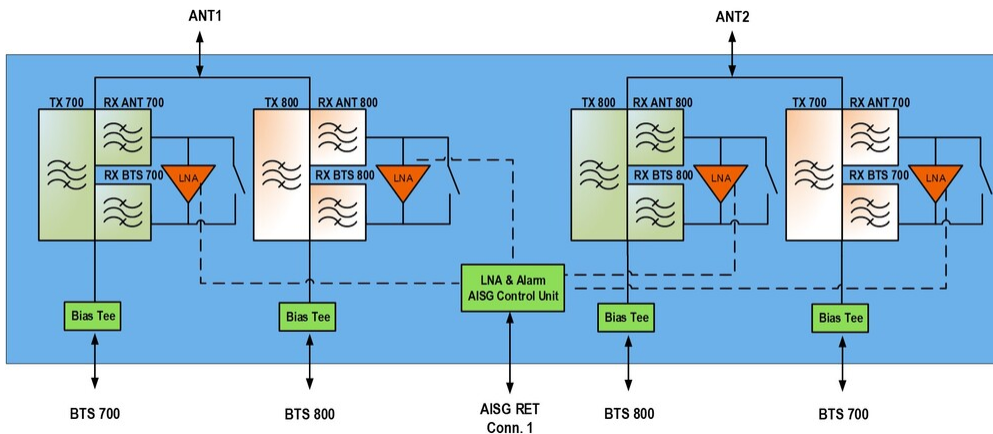
Electrical Specifications Rx (Uplink)

Frequency Range, MHz	718–723	832–842
Bandwidth, MHz	5	10
Gain, nominal, dB	12	12
Noise Figure, typical, dB	1.3	1.5
Total Group Delay, typical, ns	80	145
Insertion Loss - Bypass Mode, typical, dB	1.8	1.8

Electrical Specifications Tx (Downlink)

Frequency Range, MHz	773–778	791–801
Bandwidth, MHz	5	10
Insertion Loss, typical, dB	0.5	0.5
Total Group Delay, typical, ns	50	60
Return Loss, typical, dB	20	20
Input Power, RMS, maximum, W	200	200
Input Power, PEP, maximum, W	1000	1000
3rd Order PIM, typical, dBc	-161	-161
3rd Order PIM Test Method	Two +43 dBm carriers	Two +43 dBm carriers

Block Diagram



E14R00P50

Environmental Specifications

Operating Temperature	-40 °C to +65 °C (-40 °F to +149 °F)
Corrosion Test Method	IEC 60068-2-11, 30 days
Environmental Test Method	ETSI EN 300 019-1-4
Ingress Protection Test Method	IEC 60529:2001, IP67

Packaging and Weights

Included	Mounting hardware
Volume	7.2 L
Weight, net	10.5 kg 23.149 lb
Weight, without mounting hardware	9.5 kg 20.944 lb