

CA-QDSNF

QDS Male to Type N Female Adapter

OBSOLETE

This product was discontinued on: May 18, 2019

Product Classification

Product Type Adapter

General Specifications

Body Style Straight

Inner Contact Plating Gold

Interface QDS Male

Interface 2 N Female

Mounting Angle Straight

Outer Contact Plating Trimetal

Pressurizable No

Dimensions

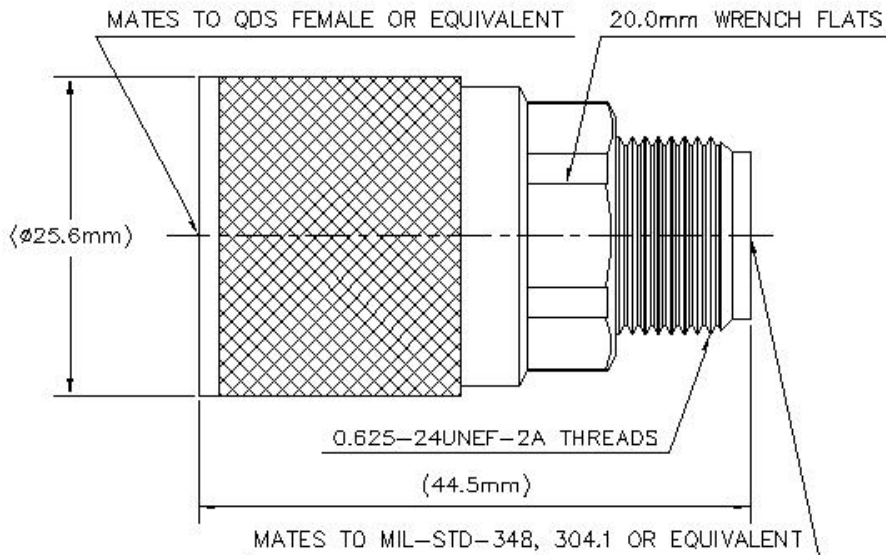
Width 25.61 mm | 1.008 in

Length 44.5 mm | 1.752 in

Diameter 25.61 mm | 1.008 in

Outline Drawing

CA-QDSNF



Electrical Specifications

Average Power at Frequency	600.0 W @ 900 MHz
Connector Impedance	50 ohm
dc Test Voltage	2500 V
Inner Contact Resistance, maximum	6 mOhm
Insulation Resistance, minimum	5000 MOhm
Operating Frequency Band	0 – 3000 MHz
Outer Contact Resistance, maximum	3 mOhm
Peak Power, maximum	10 kW
RF Operating Voltage, maximum (vrms)	707 V

VSWR/Return Loss

Frequency Band	VSWR	Return Loss (dB)
0-2200 MHz	1.134	24.05
2200-3000 MHz	1.245	19.25

Mechanical Specifications

Interface Durability	500 cycles
Interface Durability Method	IEC 61169-16:9.5
Mechanical Shock Test Method	IEC 60068-2-27

CA-QDSNF

Environmental Specifications

Operating Temperature	-55 °C to +85 °C (-67 °F to +185 °F)
Storage Temperature	-65 °C to +125 °C (-85 °F to +257 °F)
Attenuation, Ambient Temperature	20 °C 68 °F
Average Power, Ambient Temperature	40 °C 104 °F
Average Power, Inner Conductor Temperature	100 °C 212 °F
Climatic Sequence Test Method	IEC 60068-1
Corrosion Test Method	IEC 60068-2-11
Damp Heat Steady State Test Method	IEC 60068-2-3
Thermal Shock Test Method	IEC 60068-2-14
Vibration Test Method	IEC 60068-2-6

Packaging and Weights

Weight, net	82 g 0.181 lb
--------------------	-----------------

Regulatory Compliance/Certifications

Agency	Classification
ISO 9001:2015	Designed, manufactured and/or distributed under this quality management system

