

## Straight SMA Female to QMA Male Adapter



### Product Classification

**Product Type** Adapter

### General Specifications

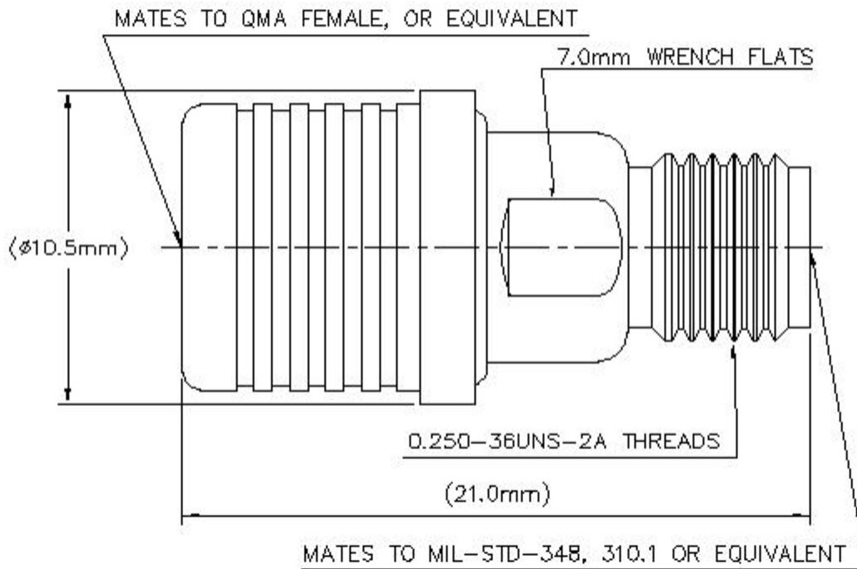
**Body Style** Straight  
**Inner Contact Plating** Gold  
**Interface** SMA Female  
**Interface 2** QMA Male  
**Mounting Angle** Straight  
**Outer Contact Plating** Trimetal  
**Pressurizable** No

### Dimensions

**Width** 10.5 mm | 0.413 in  
**Length** 21.03 mm | 0.828 in  
**Diameter** 10.5 mm | 0.413 in

### Outline Drawing

# CA-SFQM



## Electrical Specifications

<b>Average Power at Frequency</b>	100.0 W @ 900 MHz
<b>Connector Impedance</b>	50 ohm
<b>dc Test Voltage</b>	1000 V
<b>Inner Contact Resistance, maximum</b>	3 mOhm
<b>Insulation Resistance, minimum</b>	5000 MOhm
<b>Operating Frequency Band</b>	0 – 18000 MHz
<b>Outer Contact Resistance, maximum</b>	2.5 mOhm
<b>Peak Power, maximum</b>	5 kW
<b>RF Operating Voltage, maximum (vrms)</b>	500 V

## VSWR/Return Loss

Frequency Band	VSWR	Return Loss (dB)
0-3000 MHz	1.029	36.9
3000-6000 MHz	1.048	32.61
6000-9000 MHz	1.112	25.51
12000-18000 MHz	1.227	19.84

## Mechanical Specifications

<b>Insertion Force</b>	22 N   4.946 lbf
------------------------	------------------

# CA-SFQM

---

<b>Insertion Force Method</b>	IEC 61169-15:9.3.5
<b>Interface Durability</b>	100 cycles
<b>Interface Durability Method</b>	IEC 61169-16:9.5
<b>Mechanical Shock Test Method</b>	IEC 60068-2-27

## Environmental Specifications

<b>Operating Temperature</b>	-55 °C to +85 °C (-67 °F to +185 °F)
<b>Storage Temperature</b>	-65 °C to +125 °C (-85 °F to +257 °F)
<b>Attenuation, Ambient Temperature</b>	20 °C   68 °F
<b>Average Power, Ambient Temperature</b>	40 °C   104 °F
<b>Average Power, Inner Conductor Temperature</b>	100 °C   212 °F
<b>Climatic Sequence Test Method</b>	IEC 60068-1
<b>Corrosion Test Method</b>	IEC 60068-2-11
<b>Damp Heat Steady State Test Method</b>	IEC 60068-2-3
<b>Thermal Shock Test Method</b>	IEC 60068-2-14
<b>Vibration Test Method</b>	IEC 60068-2-6

## Packaging and Weights

<b>Weight, net</b>	5.27 g   0.012 lb
--------------------	-------------------

## Regulatory Compliance/Certifications

<b>Agency</b>	<b>Classification</b>
ISO 9001:2015	Designed, manufactured and/or distributed under this quality management system