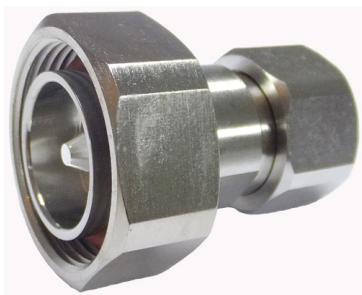


TA-DMHM



7-16 DIN Male to 4.3-10 Male Low-PIM Adapter

Product Classification

Product Type Adapter

General Specifications

Body Style Straight

Inner Contact Plating Silver

Interface 7-16 DIN Male

Interface 2 4.3-10 Male

Mounting Angle Straight

Outer Contact Plating Trimetal

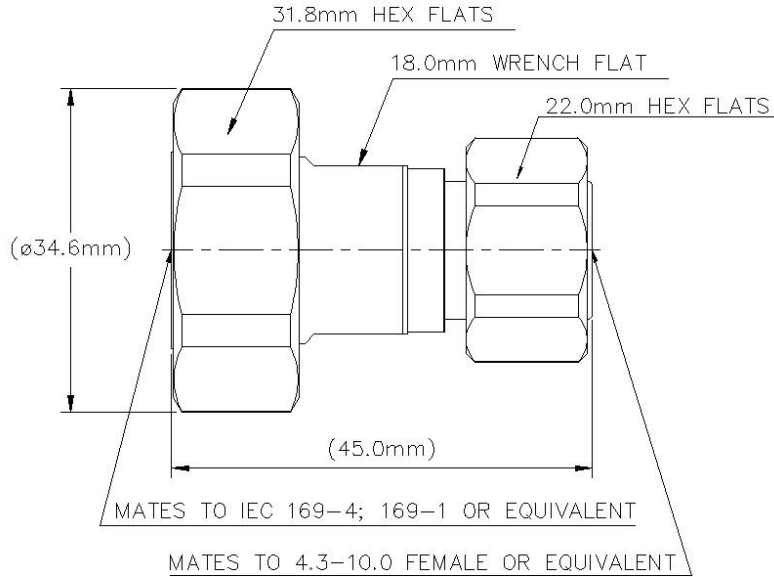
Dimensions

Length 45 mm | 1.772 in

Diameter 34.6 mm | 1.362 in

TA-DMHM

Outline Drawing



Electrical Specifications

| | |
|--|----------------------|
| 3rd Order IMD at Frequency | -163 dBc @ 1800 MHz |
| 3rd Order IMD Test Method | Two +43 dBm carriers |
| Cable Impedance | 50 ohm |
| Connector Impedance | 50 ohm |
| dc Test Voltage | 2500 V |
| Inner Contact Resistance, maximum | 1 mOhm |
| Insulation Resistance, minimum | 5000 MOhm |
| Operating Frequency Band | 0 – 6000 MHz |
| Outer Contact Resistance, maximum | 1 mOhm |

VSWR/Return Loss

| Frequency Band | VSWR | Return Loss (dB) |
|----------------|-------|------------------|
| 0-4000 MHz | 1.052 | 31.92 |
| 4000-6000 MHz | 1.083 | 27.99 |

TA-DMHM

Mechanical Specifications

| | |
|--|------------------------|
| Coupling Nut Proof Torque | 35 N-m 309.776 in lb |
| Coupling Nut Proof Torque Method | IEC 61169-4:9.3.6 |
| Coupling Nut Proof Torque, Interface 2 | 7 N-m 61.955 in lb |
| Coupling Nut Retention Force | 1000 N 224.809 lbf |
| Coupling Nut Retention Force Method | IEC 61169-4:9.3.11 |
| Coupling Nut Retention Force, Interface 2 | 450 N 101.164 lbf |
| Interface Durability | 100 cycles |
| Mechanical Shock Test Method | IEC 60068-2-27 |

Environmental Specifications

| | |
|---|---------------------------------------|
| Operating Temperature | -55 °C to +85 °C (-67 °F to +185 °F) |
| Storage Temperature | -65 °C to +125 °C (-85 °F to +257 °F) |
| Attenuation, Ambient Temperature | 20 °C 68 °F |
| Average Power, Ambient Temperature | 40 °C 104 °F |
| Average Power, Inner Conductor Temperature | 100 °C 212 °F |
| Climatic Sequence Test Method | IEC 60068-1 |
| Corrosion Test Method | IEC 60068-2-11 |
| Damp Heat Steady State Test Method | IEC 60068-2-3 |
| Immersion Depth | 1 m |
| Immersion Test Mating | Mated |
| Immersion Test Method | IEC 60529:2001, IP68 |
| Thermal Shock Test Method | IEC 60068-2-14 |
| Vibration Test Method | IEC 60068-2-6 |

Packaging and Weights

| | |
|--------------------|---------------------|
| Weight, net | 104.64 g 0.231 lb |
|--------------------|---------------------|

Regulatory Compliance/Certifications

| Agency | Classification |
|---------------|--|
| CHINA-ROHS | Below maximum concentration value |
| ISO 9001:2015 | Designed, manufactured and/or distributed under this quality management system |
| REACH-SVHC | Compliant as per SVHC revision on www.commscope.com/ProductCompliance |

TA-DMHM

ROHS Compliant

UK-ROHS Compliant



* Footnotes

Immersion Depth Immersion at specified depth for 24 hours