

TA-HFHR



4.3-10 female to 4.3-10 male right angle adapter.

Product Classification

Product Type Adapter

General Specifications

Body Style Right angle

Inner Contact Plating Silver

Interface 4.3-10 Male

Interface 2 4.3-10 Female

Mounting Angle Right angle

Outer Contact Plating Trimetal

Pressurizable No

Dimensions

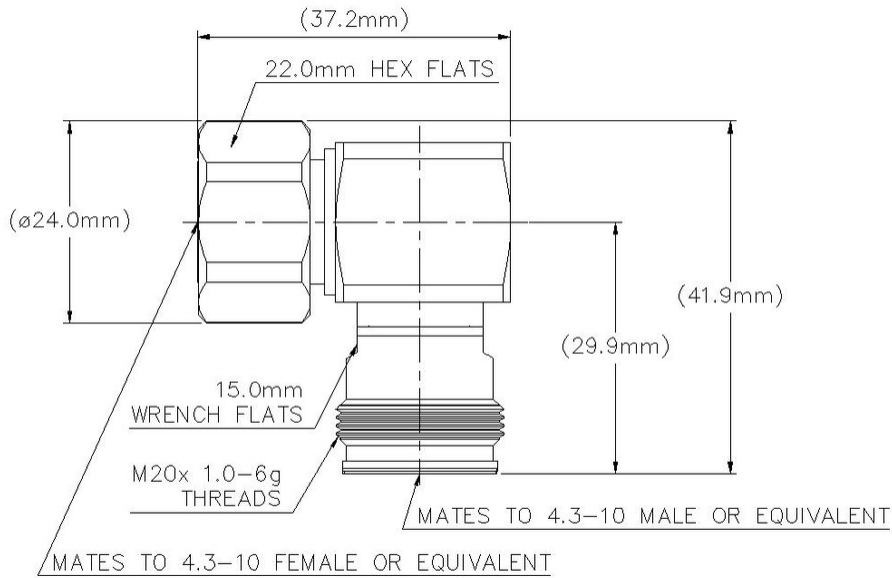
Width 37.14 mm | 1.462 in

Length 41.84 mm | 1.647 in

Diameter 24 mm | 0.945 in

Outline Drawing

TA-HFHR



Electrical Specifications

3rd Order IMD at Frequency	-123 dBm @ 1900 MHz
3rd Order IMD Test Method	Two +43 dBm carriers
Average Power at Frequency	600.0 W @ 900 MHz
Connector Impedance	50 ohm
dc Test Voltage	2500 V
Inner Contact Resistance, maximum	0.8 mOhm
Insulation Resistance, minimum	5000 MOhm
Operating Frequency Band	0 – 6000 MHz
Outer Contact Resistance, maximum	1.5 mOhm
Peak Power, maximum	15 kW

VSWR/Return Loss

Frequency Band	VSWR	Return Loss (dB)
0-3000 MHz	1.065	30.04
3000-6000 MHz	1.152	23.02

Mechanical Specifications

Coupling Nut Proof Torque	10 N-m 88.507 in lb
----------------------------------	-----------------------

TA-HFHR

Coupling Nut Retention Force	449.27 N 101 lbf
Interface Durability	100 cycles
Interface Durability Method	IEC 61169-4:9.5
Mechanical Shock Test Method	IEC 60068-2-27

Environmental Specifications

Operating Temperature	-55 °C to +85 °C (-67 °F to +185 °F)
Storage Temperature	-65 °C to +125 °C (-85 °F to +257 °F)
Attenuation, Ambient Temperature	20 °C 68 °F
Average Power, Ambient Temperature	40 °C 104 °F
Average Power, Inner Conductor Temperature	100 °C 212 °F
Climatic Sequence Test Method	IEC 60068-1
Corrosion Test Method	IEC 60068-2-11
Damp Heat Steady State Test Method	IEC 60068-2-3
Immersion Depth	1 m
Immersion Test Mating	Mated
Immersion Test Method	IEC 60529:2001, IP68
Thermal Shock Test Method	IEC 60068-2-14
Vibration Test Method	IEC 60068-2-6

Packaging and Weights

Weight, net	90.38 g 0.199 lb
--------------------	--------------------

Regulatory Compliance/Certifications

Agency	Classification
CHINA-ROHS	Below maximum concentration value
ISO 9001:2015	Designed, manufactured and/or distributed under this quality management system
REACH-SVHC	Compliant as per SVHC revision on www.commscope.com/ProductCompliance
ROHS	Compliant
UK-ROHS	Compliant/Exempted



* Footnotes

TA-HFHR

Immersion Depth

Immersion at specified depth for 24 hours