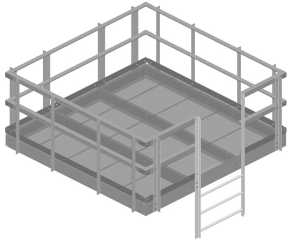


EQ-HR1020



Handrail Kit for 10 ft x 20 ft equipment platform

Product Classification

Product Type Equipment platform system

General Specifications

Mounting EQ series platform bases

Dimensions

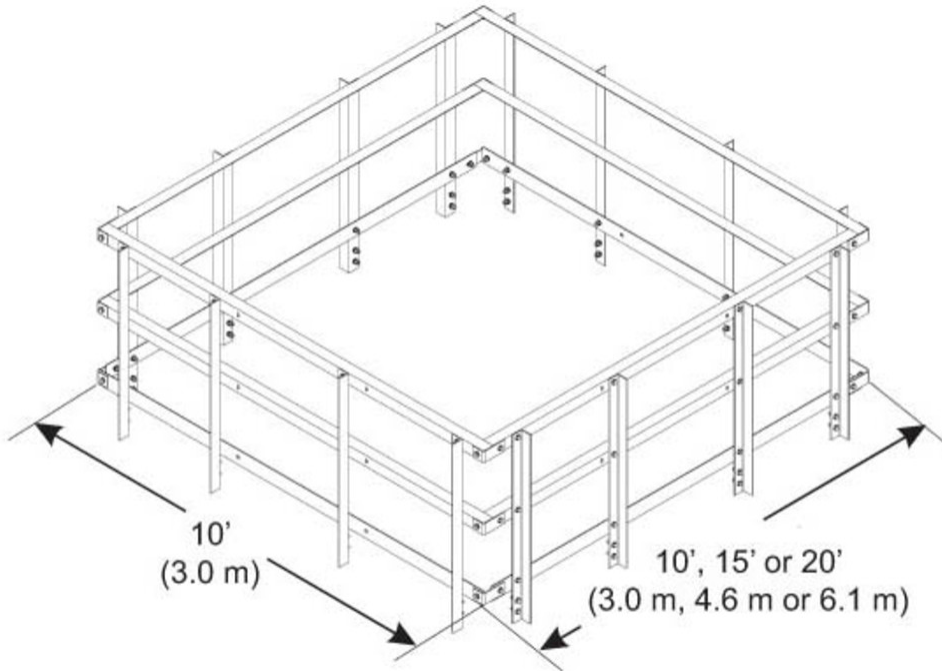
Height 1,219.2 mm | 48 in

Width 3048 mm | 120 in

Length 6096 mm | 240 in

EQ-HR1020

Outline Drawing



Material Specifications

Material Type Hot dip galvanized steel

Packaging and Weights

Included Angle brackets | Hardware | Posts

Packaging quantity 1

Weight, net 483.6 kg | 1,066.154 lb

Regulatory Compliance/Certifications

Agency

ISO 9001:2015

Classification

Designed, manufactured and/or distributed under this quality management system