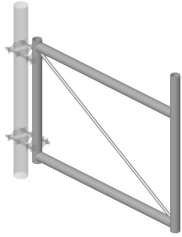


# HS-600

---



Stand-Off Bracket, heavy duty, 72 in, includes pipe

## Product Classification

**Product Type** Stand-off mount

## General Specifications

**Mounting** Tower member

**Note** One 72 in x 8 in panel antenna per sector

**Pipe, quantity** 1

## Dimensions

**Height** 1,066.8 mm | 42 in

**Width** 76.2 mm | 3 in

**Length** 1,828.8 mm | 72 in

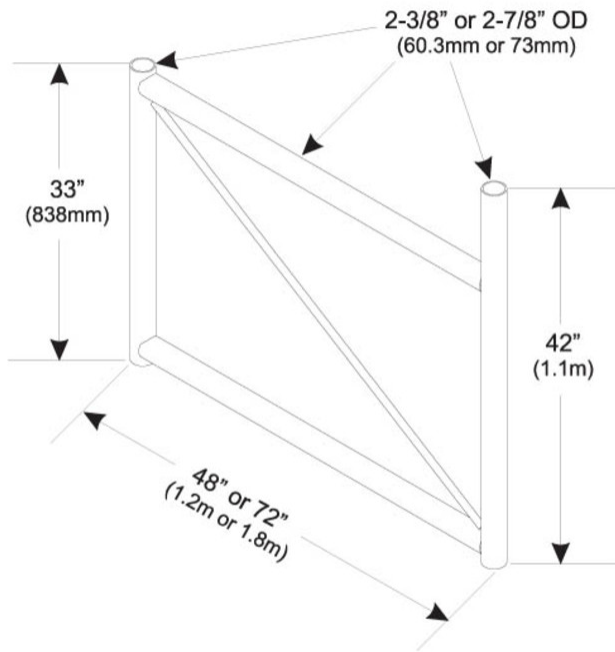
**Pipe Length** 1,066.8 mm | 42 in

**Pipe Outer Diameter** 73.66 mm | 2.9 in

**Stand-off Distance** 1,828.8 mm | 72 in

# HS-600

## Outline Drawing



## Material Specifications

**Material Type** Hot dip galvanized steel

## Mechanical Specifications

**Wind Rating** 120 mph (BWS) at 150 ft AGL

**Wind Rating Test Method** TIA/EIA-222

## Packaging and Weights

**Included** Stand-off

**Packaging quantity** 1

# HS-600

---

**Weight, net** 48.7 kg | 107.365 lb

## Regulatory Compliance/Certifications

<b>Agency</b>	<b>Classification</b>
ISO 9001:2015	Designed, manufactured and/or distributed under this quality management system

## \* Footnotes

**Wind Rating** BWS—Base Wind Speed; FBC—Florida Building Code