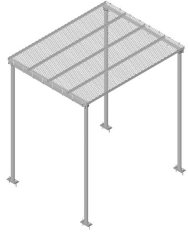


# IC-1012-S

---



Ice Canopy, 10 ft x 12 ft, four 10 ft 6 in base shoe pipes

## Product Classification

**Product Type** Ice canopies and shields

## General Specifications

**Pipe, quantity** 4

## Dimensions

**Height** 3,200.4 mm | 126 in

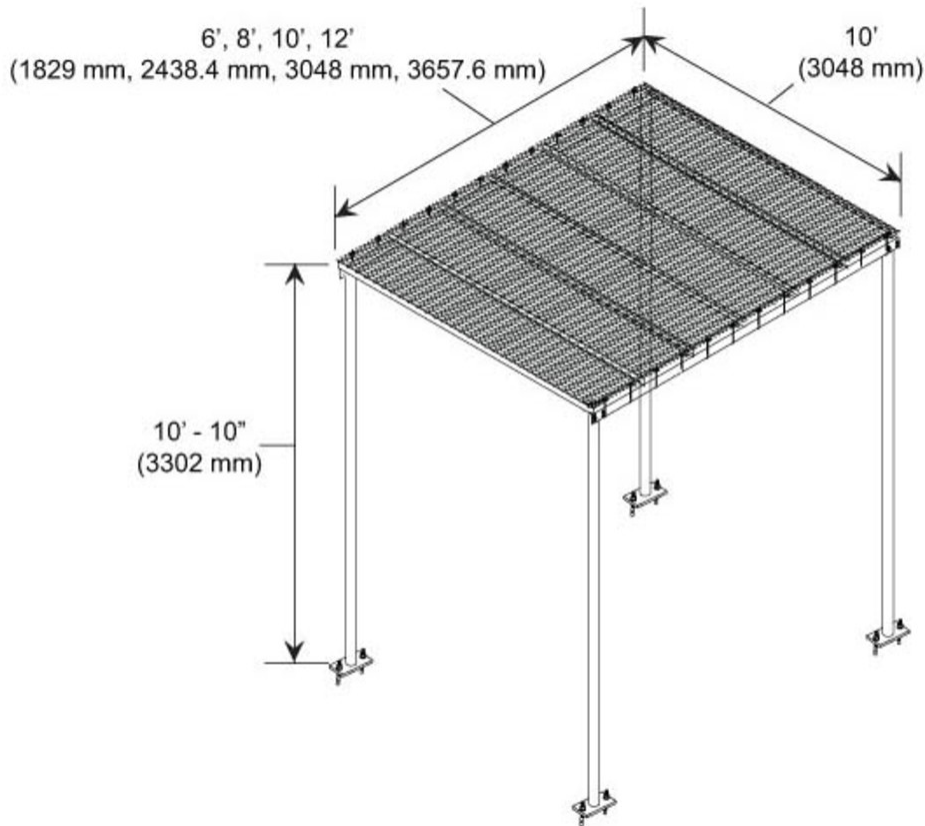
**Width** 3048 mm | 120 in

**Length** 3,657.6 mm | 144 in

**Pipe Length** 3,200.4 mm | 126 in

# IC-1012-S

## Outline Drawing



## Material Specifications

**Material Type** Hot dip galvanized steel

## Packaging and Weights

**Included** Hardware | Legs | Safety grating

**Packaging quantity** 1

**Weight, net** 468 kg | 1,031.762 lb

## Regulatory Compliance/Certifications

### Agency

ISO 9001:2015

### Classification

Designed, manufactured and/or distributed under this quality management system

# IC-1012-S

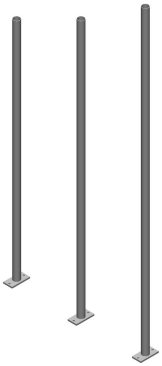
---

## Included Products

- MF-126 – Base Shoe Pipe Column, 10 ft 6 in
- WB-CY210 – Safety Grated Waveguide Bridge Channel, 24 in x 10 ft

# MF-126

---



Base Shoe Pipe Column, 10 ft 6 in

## Product Classification

**Product Type** Pipe column

## General Specifications

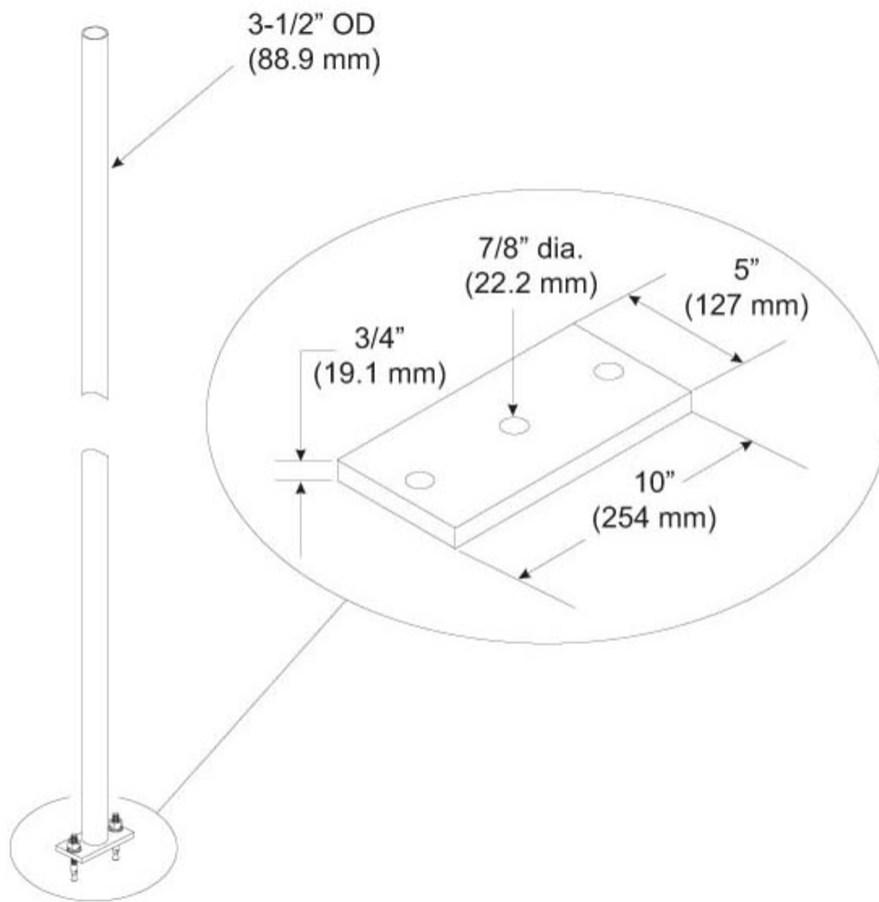
**Application** Base shoe  
**Mounting** Waveguide bridge support bracket  
**Pipe, quantity** 1

## Dimensions

**Height** 3,200.4 mm | 126 in  
**Width** 127 mm | 5 in  
**Length** 254 mm | 10 in  
**Pipe Length** 3,200.4 mm | 126 in  
**Pipe Outer Diameter** 88.9 mm | 3.5 in

# MF-126

## Outline Drawing



## Material Specifications

**Material Type** Hot dip galvanized steel

## Packaging and Weights

**Included** Anchors | Pipe

**Packaging quantity** 1

**Weight, net** 41.7 kg | 91.933 lb

## Regulatory Compliance/Certifications

**Agency** **Classification**

# MF-126

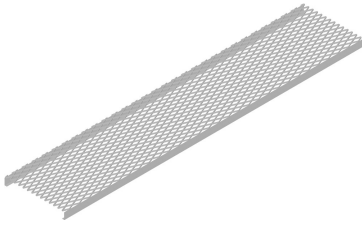
---

CHINA-ROHS	Above maximum concentration value
ISO 9001:2015	Designed, manufactured and/or distributed under this quality management system
ROHS	Compliant/Exempted
UK-ROHS	Compliant/Exempted



# WB-CY210

---



Safety Grated Waveguide Bridge Channel, 24 in x 10 ft

## Product Classification

**Product Type**            Waveguide bridge channel

## General Specifications

**Application**            Waveguide bridge kit, 24 in

## Dimensions

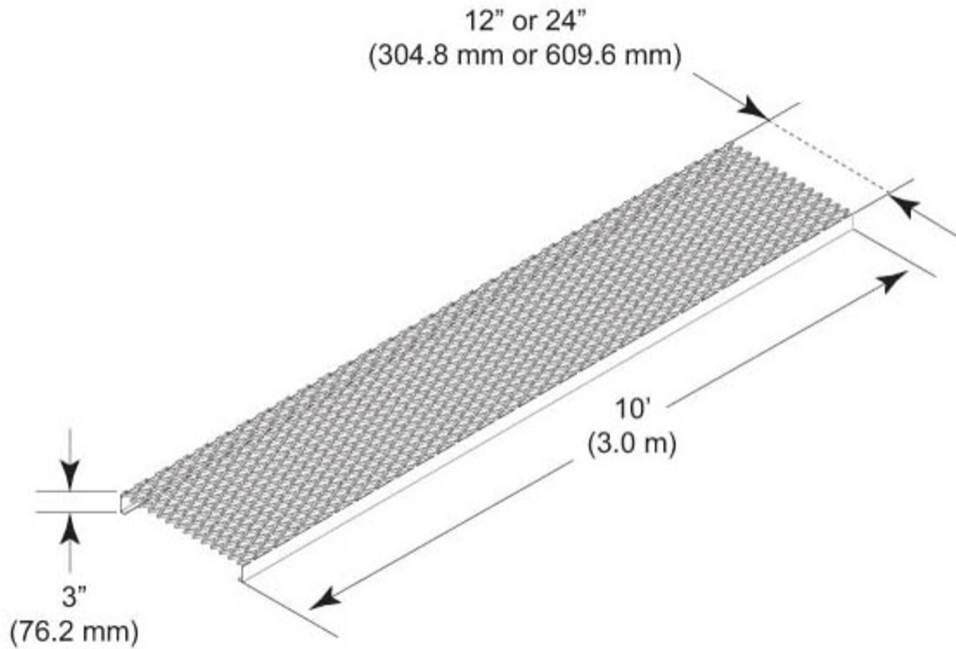
**Height**                 76.2 mm | 3 in

**Width**                 609.6 mm | 24 in

**Length**                3048 mm | 120 in

# WB-CY210

## Outline Drawing



## Material Specifications

**Material Type** Hot dip galvanized steel

## Packaging and Weights

**Included** Bridge channel

**Packaging quantity** 1

**Weight, net** 50.4 kg | 111.113 lb

## Regulatory Compliance/Certifications

Agency	Classification
CHINA-ROHS	Above maximum concentration value
ISO 9001:2015	Designed, manufactured and/or distributed under this quality management system
ROHS	Compliant/Exempted
UK-ROHS	Compliant/Exempted



