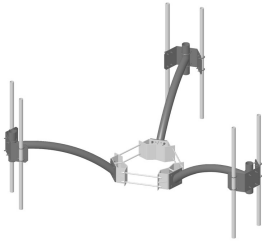


MT-198-C



Double Pipe Curved Support Arm with U-bolts, 63 in

OBSOLETE

This product was discontinued on: January 7, 2022

Product Classification

Product Type Pipe mount

General Specifications

Mounting Ring mount

Dimensions

Height 1016 mm | 40 in

Width 254 mm | 10 in

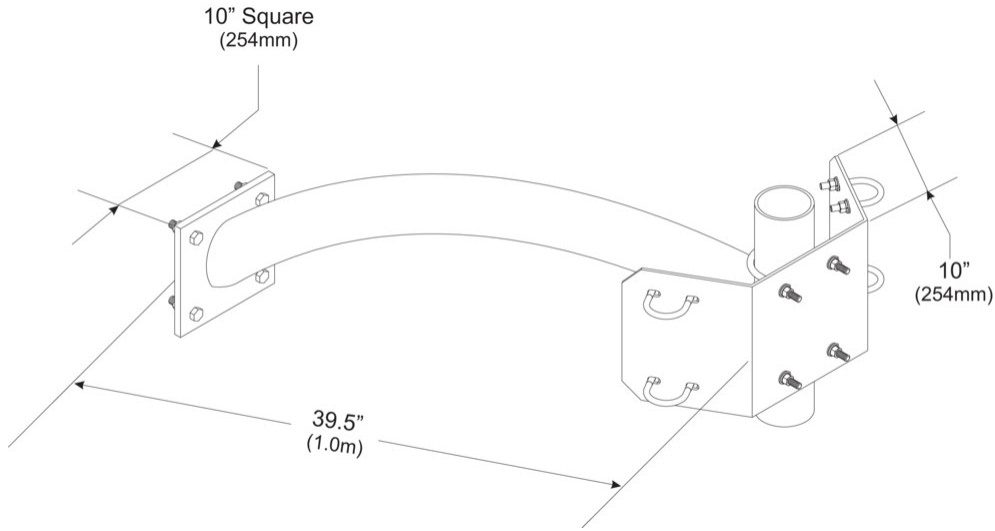
Length 1524 mm | 60 in

Pipe Outer Diameter 114.3 mm | 4.5 in

Stand-off Distance 1,600.2 mm | 63 in

MT-198-C

Outline Drawing



Material Specifications

Material Type Hot dip galvanized steel

Mechanical Specifications

Wind Rating 120 mph (BWS) at 150 ft AGL | 140 mph (3-second gust) at 150 ft AGL using Exposure D per FBC

Wind Rating Criteria Four 72 in x 8 in panel antennas per sector

Wind Rating Test Method TIA/EIA-222

Packaging and Weights

Included Hardware | Stand-off arms

Packaging quantity 1

Weight, net 55.8 kg | 123.018 lb

* Footnotes

Wind Rating BWS—Base Wind Speed; FBC—Florida Building Code