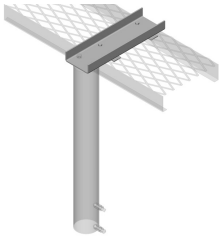


# MT-347

---



Single Pipe Support Channel Kit for 12 in wide waveguide bridge

**OBSOLETE**

This product was discontinued on: January 7, 2022

## Product Classification

**Product Type** Waveguide bridge channel

## General Specifications

**Application** Waveguide bridge kit, 12 in

**Mounting** Pipe heads

## Dimensions

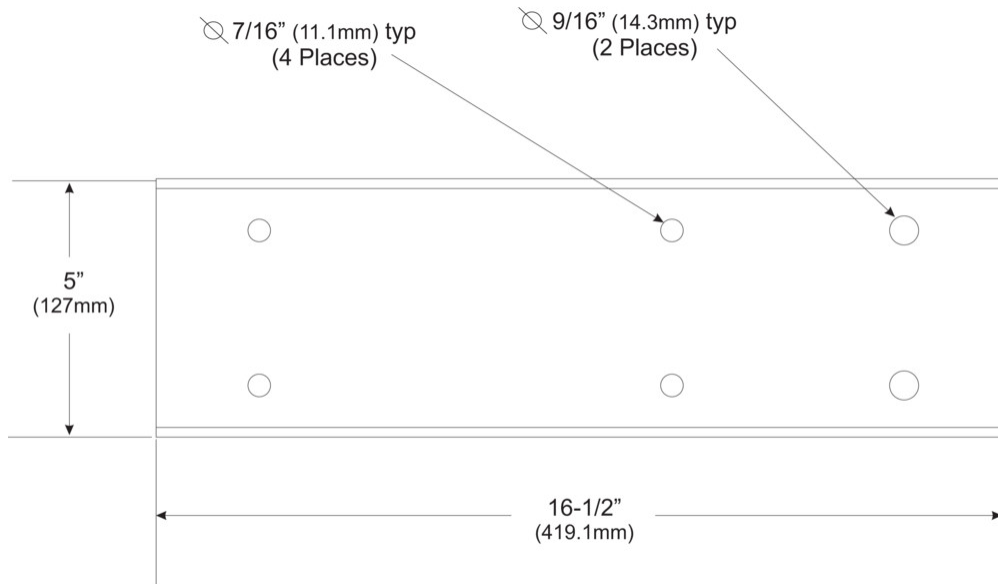
**Height** 50.8 mm | 2 in

**Width** 127 mm | 5 in

**Length** 419.1 mm | 16.5 in

# MT-347

## Outline Drawing



## Material Specifications

**Material Type** Hot dip galvanized steel

## Packaging and Weights

**Included** Channel | Hardware

**Packaging quantity** 1

**Weight, net** 3.6 kg | 7.937 lb