

# MT-353

---



X-Bracing Kit for 24 in wide bridge kit

**OBSOLETE**

## Product Classification

**Product Type** X-bracing kit

## General Specifications

**Application** Waveguide bridge kit, 24 in

**Mounting** Pipe, 88.9 mm (3-1/2 in) OD

## Dimensions

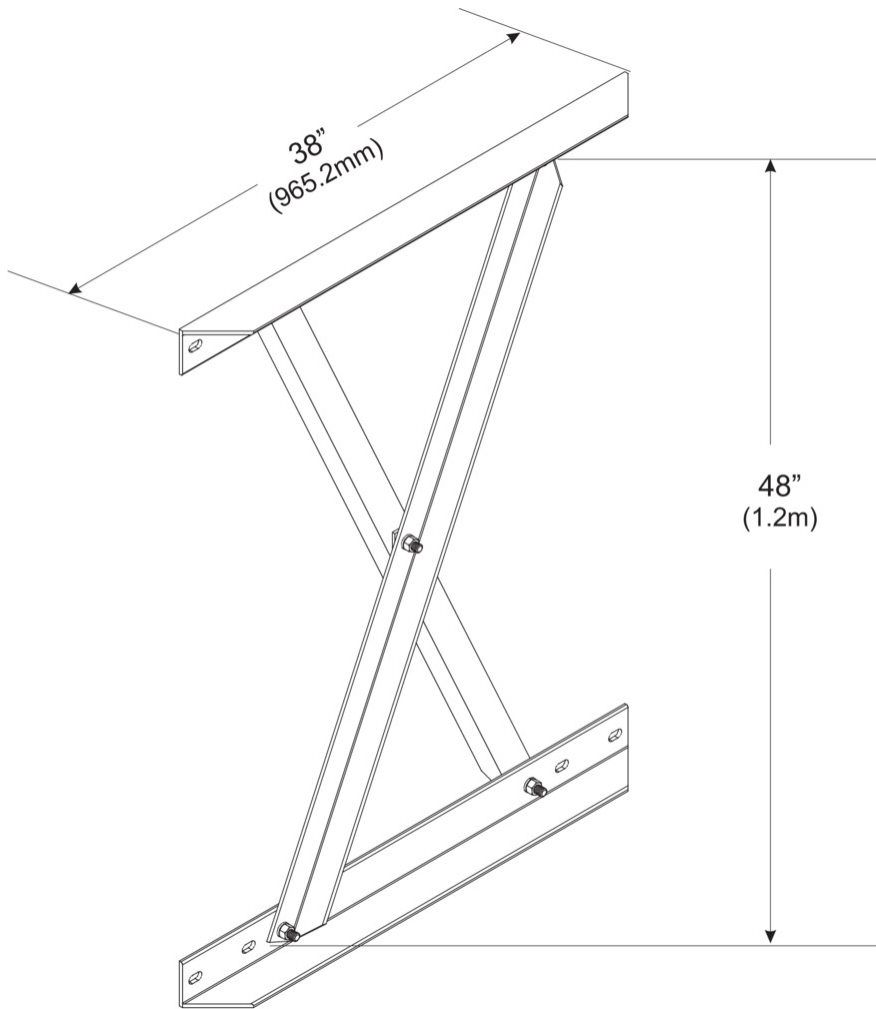
**Height** 101.6 mm | 4 in

**Width** 965.2 mm | 38 in

**Length** 1,219.2 mm | 48 in

# MT-353

## Outline Drawing



## Material Specifications

**Material Type** Hot dip galvanized steel

## Packaging and Weights

**Included** Braces | U-bolts

**Packaging quantity** 1

**Weight, net** 20 kg | 44.092 lb