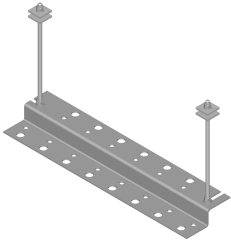


# MT-357-24

---



Trapeze Kit, 24 in wide, one rung

## Product Classification

**Product Type** Trapeze kit

## General Specifications

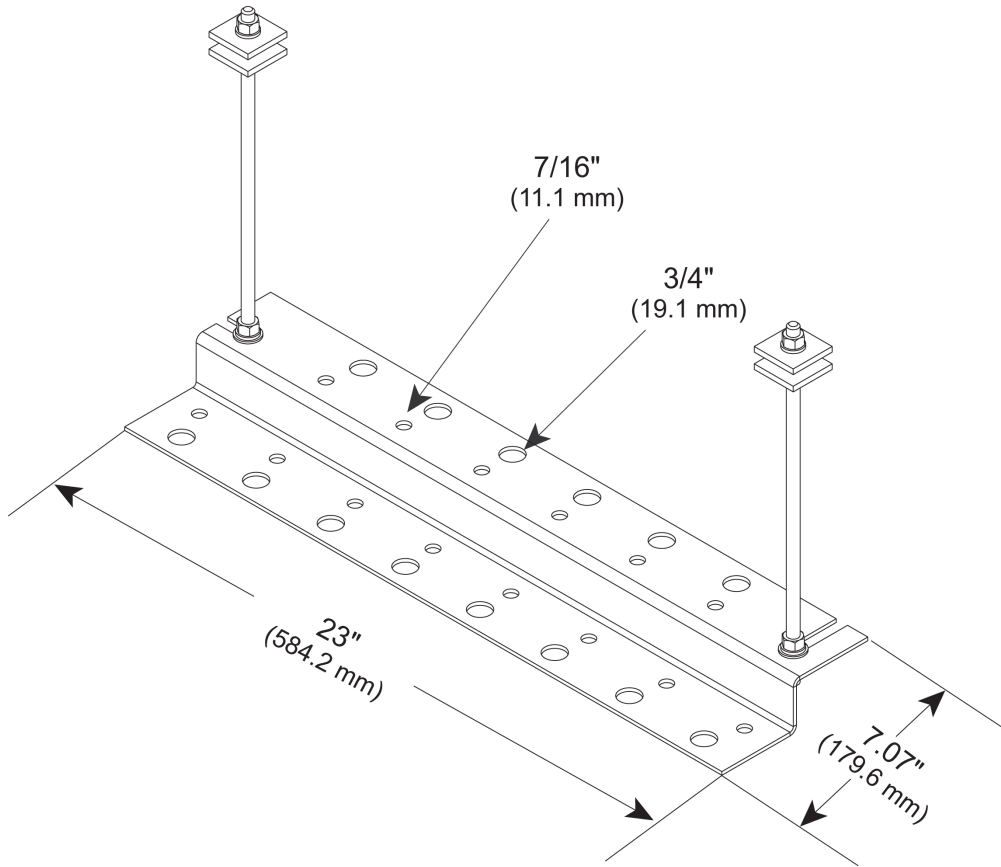
**Application** Waveguide bridge kit, 24 in  
**Cable Runs, quantity** 14  
**Hole, quantity** 14  
**Mounting** Waveguide bridge channel  
**Rungs, quantity** 1

## Dimensions

**Height** 50.8 mm | 2 in  
**Width** 660.4 mm | 26 in  
**Length** 254 mm | 10 in  
**Hole Size** 3/4 in | 7/16 in

# MT-357-24

## Outline Drawing



## Material Specifications

**Material Type** Hot dip galvanized steel

## Packaging and Weights

**Included** Hardware | Threaded rod | Z-bracket

**Packaging quantity** 1

**Weight, net** 3.2 kg | 7.055 lb

## Regulatory Compliance/Certifications

### Agency

ISO 9001:2015

### Classification

Designed, manufactured and/or distributed under this quality management system



# MT-357-24

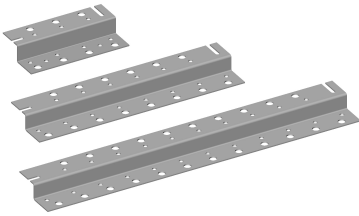
---

## Included Products

- ZB-H8 – Horizontal Z-bracket, 23 in, for 14 coaxial cable runs

# ZB-H8

---



Horizontal Z-bracket, 23 in, for 14 coaxial cable runs

## Product Classification

**Product Type**                      Bracket kit

## General Specifications

**Cable Runs, quantity**              14

**Hole, quantity**                      14

**Mounting**                              Walls

## Dimensions

**Height**                                50.8 mm | 2 in

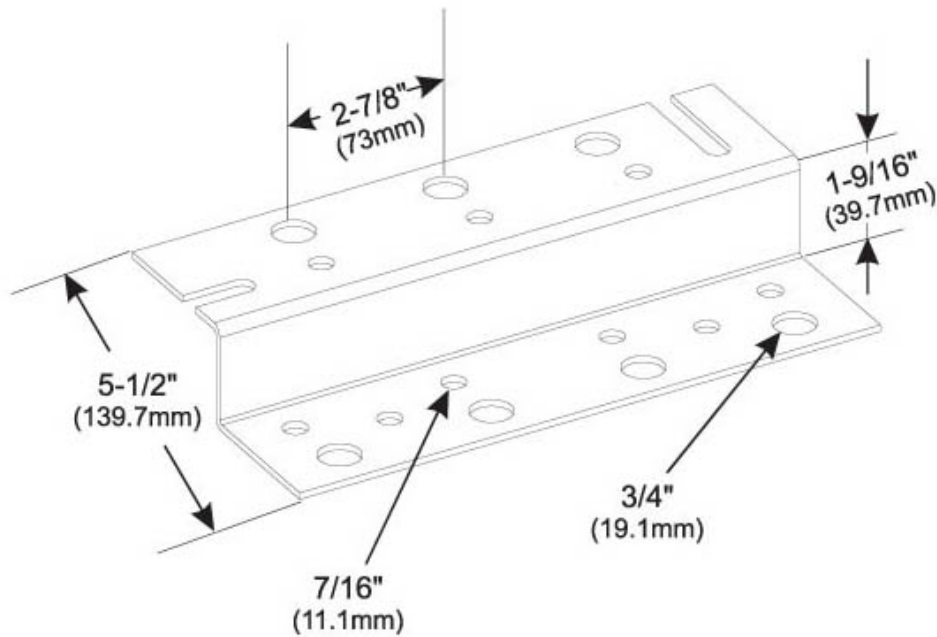
**Width**                                152.4 mm | 6 in

**Length**                                584.2 mm | 23 in

**Hole Size**                            3/4 in | 7/16 in

# ZB-H8

## Outline Drawing



## Material Specifications

**Material Type** Hot dip galvanized steel

## Mechanical Specifications

**Wind Rating** For Specifications, please contact [steelproducts@commscope.com](mailto:steelproducts@commscope.com) or call 800-255-1479

## Packaging and Weights

**Included** Z-bracket

**Packaging quantity** 1

**Weight, net** 2.4 kg | 5.291 lb

## Regulatory Compliance/Certifications

Agency	Classification
CHINA-ROHS	Below maximum concentration value
ISO 9001:2015	Designed, manufactured and/or distributed under this quality management system
REACH-SVHC	Compliant as per SVHC revision on <a href="http://www.commscope.com/ProductCompliance">www.commscope.com/ProductCompliance</a>
ROHS	Compliant

# ZB-H8

---

UK-ROHS



Compliant

## \* Footnotes

### **Wind Rating**

BWS—Base Wind Speed; FBC—Florida Building Code