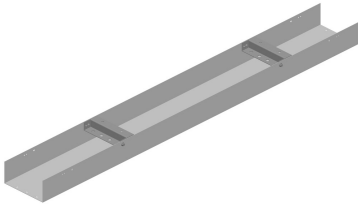


MT-F1589



Wall Coaxial Cable Support Kit, for four coaxial cable runs

Product Classification

Product Type Wall Support Bracket

General Specifications

Cable Runs, quantity 4

Hole, quantity 4

Mounting Walls

Dimensions

Height 152.4 mm | 6 in

Width 279.4 mm | 11 in

Length 2,438.4 mm | 96 in

Hole Size 3/4 in

Material Specifications

Material Type Galvanized steel

Mechanical Specifications

Wind Rating For Specifications, please contact steelproducts@commscope.com or call 800-255-1479

Packaging and Weights

Included Brackets (2) | Channel | Hardware

Packaging quantity 1

Weight, net 25.7 kg | 56.659 lb

Regulatory Compliance/Certifications

Agency	Classification
ISO 9001:2015	Designed, manufactured and/or distributed under this quality management system

MT-F1589

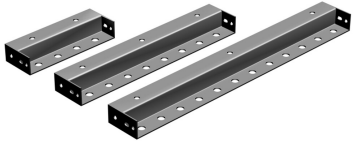
Included Products

MT-F1586 – Wall-Mount Bracket for four coaxial cable runs

* Footnotes

Wind Rating BWS—Base Wind Speed; FBC—Florida Building Code

MT-F1586



Wall-Mount Bracket for four coaxial cable runs

Product Classification

Product Type Mounting bracket

General Specifications

Cable Runs, quantity 4

Hole, quantity 4

Mounting Walls

Dimensions

Height 101.6 mm | 4 in

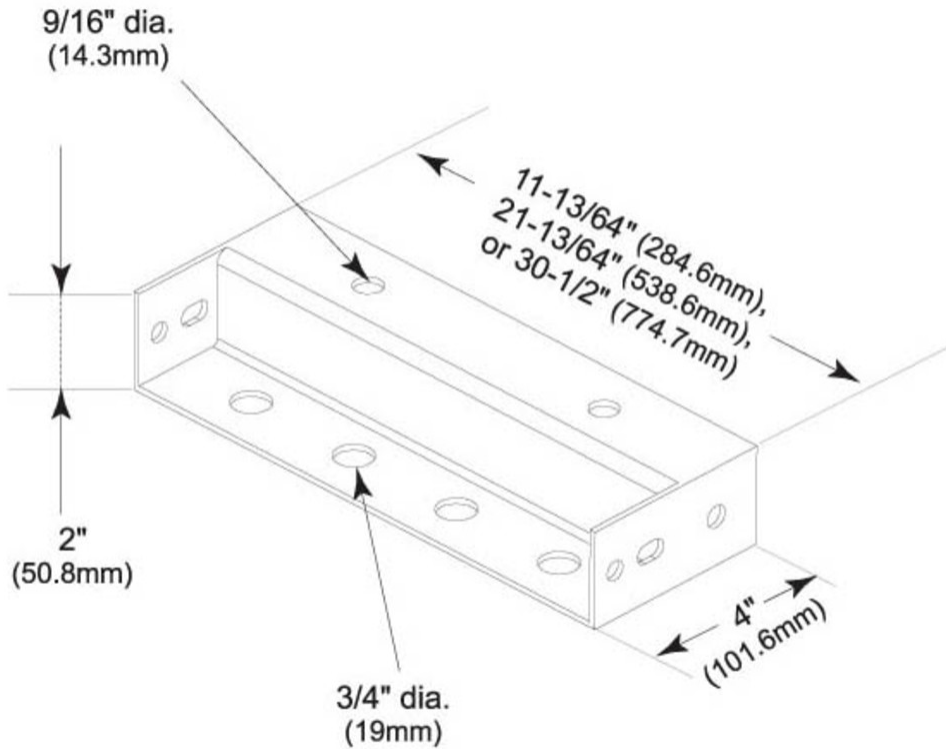
Width 50.8 mm | 2 in

Length 304.8 mm | 12 in

Hole Size 3/4 in

MT-F1586

Outline Drawing



Material Specifications

Material Type Hot dip galvanized steel

Mechanical Specifications

Wind Rating For Specifications, please contact steelproducts@commscope.com or call 800-255-1479

Packaging and Weights

Included Brackets

Packaging quantity 1

Weight, net 1 kg | 2.205 lb

Regulatory Compliance/Certifications

Agency	Classification
CHINA-ROHS	Below maximum concentration value

MT-F1586

ISO 9001:2015	Designed, manufactured and/or distributed under this quality management system
REACH-SVHC	Compliant as per SVHC revision on www.commscope.com/ProductCompliance
ROHS	Compliant
UK-ROHS	Compliant



* Footnotes

Wind Rating BWS—Base Wind Speed; FBC—Florida Building Code