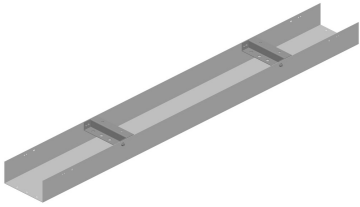


# MT-F1590

---



Wall Coaxial Cable Support Kit, for eight coaxial cable runs

## Product Classification

**Product Type** Wall Support Bracket

## General Specifications

**Cable Runs, quantity** 8

**Hole, quantity** 8

**Mounting** Walls

## Dimensions

**Height** 152.4 mm | 6 in

**Width** 685.8 mm | 27 in

**Length** 2,438.4 mm | 96 in

**Hole Size** 3/4 in

## Material Specifications

**Material Type** Galvanized steel

## Mechanical Specifications

**Wind Rating** For Specifications, please contact [steelproducts@commscope.com](mailto:steelproducts@commscope.com) or call 800-255-1479

## Packaging and Weights

**Included** Brackets (2) | Channel | Hardware

**Packaging quantity** 1

**Weight, net** 33.5 kg | 73.855 lb

## Regulatory Compliance/Certifications

**Agency**

ISO 9001:2015

**Classification**

Designed, manufactured and/or distributed under this quality management system

# MT-F1590

---

## Included Products

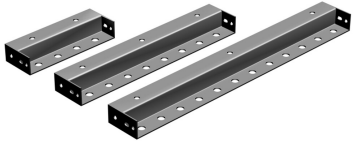
MT-F1587 – Wall-Mount Bracket for eight coaxial cable runs

## \* Footnotes

**Wind Rating** BWS—Base Wind Speed; FBC—Florida Building Code

# MT-F1587

---



Wall-Mount Bracket for eight coaxial cable runs

## Product Classification

**Product Type** Mounting bracket

## General Specifications

**Cable Runs, quantity** 8

**Hole, quantity** 8

**Mounting** Walls

## Dimensions

**Height** 101.6 mm | 4 in

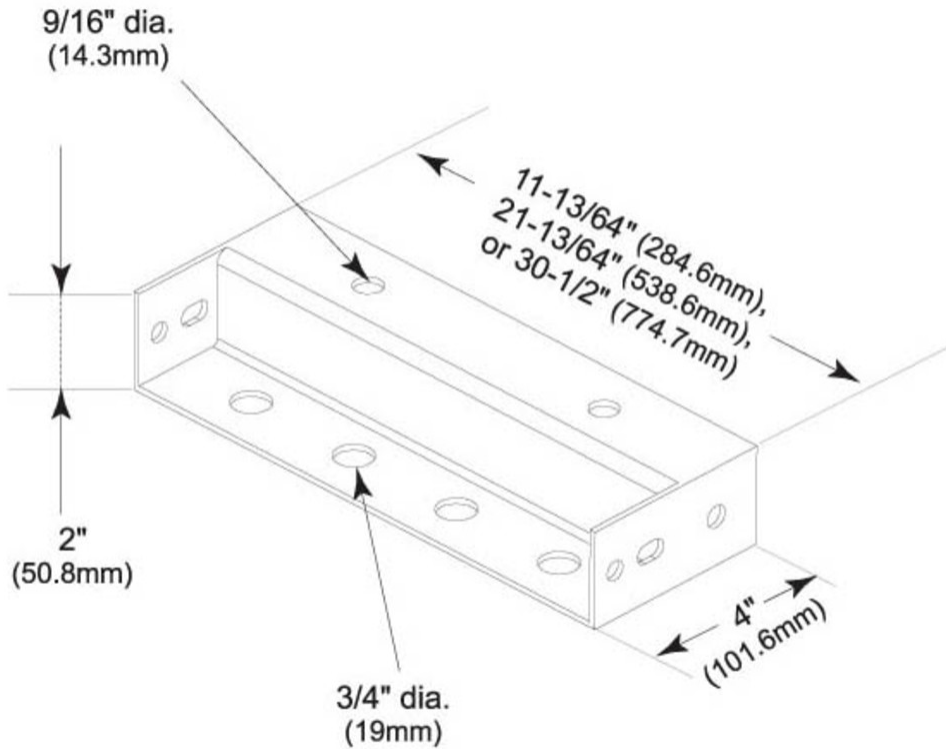
**Width** 50.8 mm | 2 in

**Length** 558.8 mm | 22 in

**Hole Size** 3/4 in

# MT-F1587

## Outline Drawing



## Material Specifications

**Material Type** Hot dip galvanized steel

## Mechanical Specifications

**Wind Rating** For Specifications, please contact [steelproducts@commscope.com](mailto:steelproducts@commscope.com) or call 800-255-1479

## Packaging and Weights

**Included** Brackets

**Packaging quantity** 1

**Weight, net** 1.9 kg | 4.189 lb

## Regulatory Compliance/Certifications

Agency	Classification
CHINA-ROHS	Below maximum concentration value

# MT-F1587

---

ISO 9001:2015	Designed, manufactured and/or distributed under this quality management system
REACH-SVHC	Compliant as per SVHC revision on <a href="http://www.commscope.com/ProductCompliance">www.commscope.com/ProductCompliance</a>
ROHS	Compliant
UK-ROHS	Compliant



## \* Footnotes

**Wind Rating**                      BWS—Base Wind Speed; FBC—Florida Building Code