

Fiber indoor/outdoor cable, LightScope® ZWP, dry loose tube, 4 fiber, Singlemode G.652.D and G.657.A1, Gel-free, Yellow jacket color, Dca flame rating. Provides Rodent Resistance

OBSOLETE

This product was discontinued on: March 31, 2023

Product Classification

Regional Availability	Asia Australia/New Zealand EMEA
Portfolio	CommScope®
Product Type	Fiber indoor/outdoor cable
Product Series	C-CN

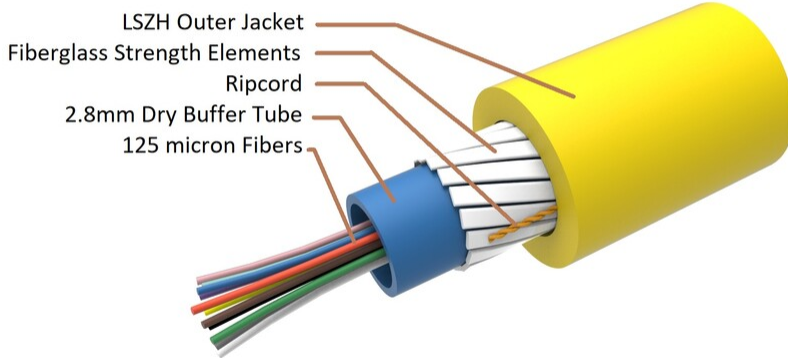
General Specifications

Cable Type	Loose tube
Subunit Type	Gel-free
Jacket Color	Yellow
Jacket Marking	Meters
Fibers per Subunit, quantity	4
Total Fiber Count	4

Dimensions

Cable Length	4000 m 13,123.36 ft
Diameter Over Jacket	6.4 mm 0.252 in

Representative Image



Mechanical Specifications

Minimum Bend Radius, loaded	139.7 mm 5.5 in
Minimum Bend Radius, unloaded	129.5 mm 5.098 in
Tensile Load, long term, maximum	650 N 146.126 lbf
Tensile Load, short term, maximum	1250 N 281.011 lbf

Optical Specifications

Fiber Type G.652.D and G.657.A1, TeraSPEED® | OS2

Optical Specifications, Wavelength Specific

Attenuation, maximum	0.35 dB/km @ 1,300 nm 0.35 dB/km @ 1,550 nm 0.45 dB/km @ 1,310 nm
Standards Compliance	IEC 60794-1 TIA-492CAAB (OS2)

Environmental Specifications

Operating Temperature	-10 °C to +70 °C (+14 °F to +158 °F)
Storage Temperature	-10 °C to +70 °C (+14 °F to +158 °F)
EN50575 CPR Cable EuroClass Fire Performance	Dca
EN50575 CPR Cable EuroClass Smoke Rating	s2
EN50575 CPR Cable EuroClass Droplets Rating	d2

EN50575 CPR Cable EuroClass Acidity Rating

a1

Environmental Space

Universal Low Smoke Zero Halogen (ULSZH)

Packaging and Weights

Cable weight

47 kg/km | 31.583 lb/kft

Included Products

CS-8W-250-EMEA - LightScope® ZWP Singlemode Fiber
250um

* Footnotes

Operating Temperature Specification applicable to non-terminated bulk fiber cable

LightScope® ZWP Singlemode Fiber



Product Classification

Portfolio	CommScope®
Product Type	Optical fiber

General Specifications

Cladding Diameter	125 µm
Cladding Diameter Tolerance	±0.7 µm
Cladding Non-Circularity, maximum	0.7 %
Coating Diameter (Colored)	249 µm
Coating Diameter (Uncolored)	242 µm
Coating Diameter Tolerance (Colored)	±13 µm
Coating Diameter Tolerance (Uncolored)	±5 µm
Coating/Cladding Concentricity Error, maximum	12 µm
Core/Clad Offset, maximum	0.5 µm
Proof Test	689.476 N/mm ² 100000 psi

Dimensions

Fiber Curl, minimum	4 m 13.123 ft
----------------------------	-----------------

Mechanical Specifications

Macrobending, 20 mm Ø mandrel, 1 turn	0.75 dB @ 1,550 nm 1.50 dB @ 1,625 nm
Macrobending, 30 mm Ø mandrel, 10 turns	0.25 dB @ 1,550 nm 1.00 dB @ 1,625 nm
Macrobending, 60 mm Ø mandrel, 100 turns	0.05 dB @ 1,550 nm 0.05 dB @ 1,625 nm
Coating Strip Force, maximum	8.9 N 2.001 lbf
Coating Strip Force, minimum	1.3 N 0.292 lbf

CS-8W-250-EMEA | 250um

Dynamic Fatigue Parameter, minimum 20

Optical Specifications

Cabled Cutoff Wavelength, maximum 1250 nm

Point Defects, maximum 0.05 dB

Zero Dispersion Slope, maximum 0.092 ps/[km-nm-nm]

Zero Dispersion Wavelength, maximum 1324 nm

Zero Dispersion Wavelength, minimum 1300 nm

Optical Specifications, Wavelength Specific

Attenuation, maximum 0.21 dB/km @ 1,550 nm | 0.24 dB/km @ 1625 nm | 0.25 dB/km @ 1,490 nm | 0.35 dB/km @ 1,310 nm | 0.35 dB/km @ 1,385 nm

Dispersion, maximum 18 ps(nm-km) at 1550 nm | 2.2 ps(nm-km) at 1625 nm | 3.5 ps(nm-km) from 1285 nm to 1330 nm at 1310 nm

Index of Refraction 1.467 @ 1,310 nm | 1.468 @ 1,550 nm

Mode Field Diameter 10.4 μm @ 1,550 nm | 9.2 μm @ 1,310 nm

Mode Field Diameter Tolerance $\pm 0.4 \mu\text{m}$ @ 1310 nm | $\pm 0.5 \mu\text{m}$ @ 1550 nm

Polarization Mode Dispersion Link Design Value, maximum 0.06 ps/sqrt(km)

Standards Compliance ITU-T G.652.D | ITU-T G.657.A1

Environmental Specifications

Heat Aging, maximum 0.05 dB/km @ 85 °C

Temperature Dependence, maximum 0.05 dB/km

Temperature Humidity Cycling, maximum 0.05 dB/km

Water Immersion, maximum 0.05 dB/km @ 23 °C

* Footnotes

Temperature Dependence, maximum Temperature dependence is conducted at -60 °C to +85 °C (-76 °F to +185 °F)

Temperature Humidity Cycling, maximum Temperature humidity cycling is conducted at -10 °C to +85 °C (+14 °F to +185 °F) up to 95% relative humidity