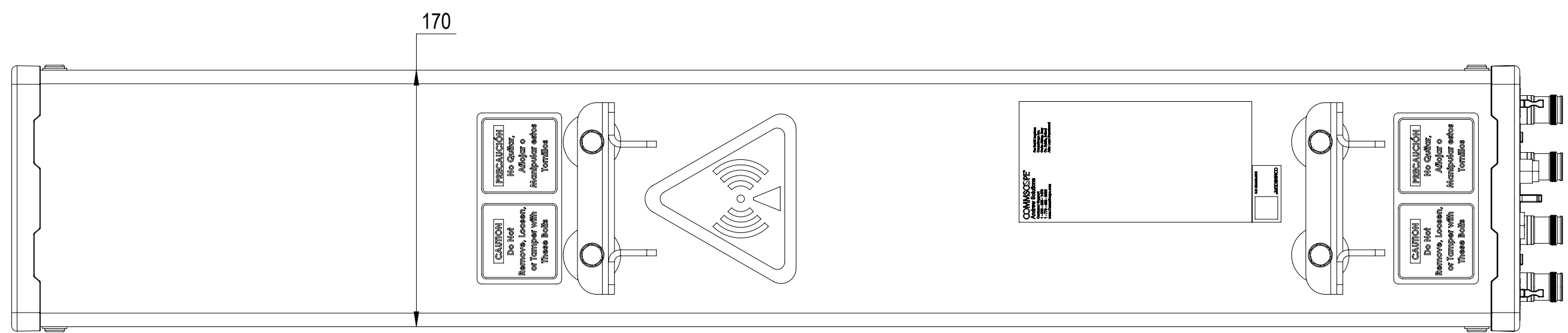
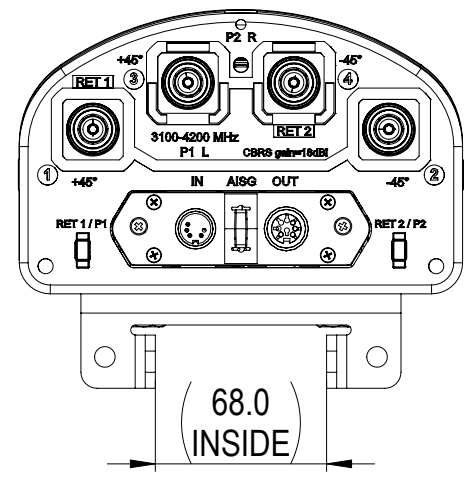
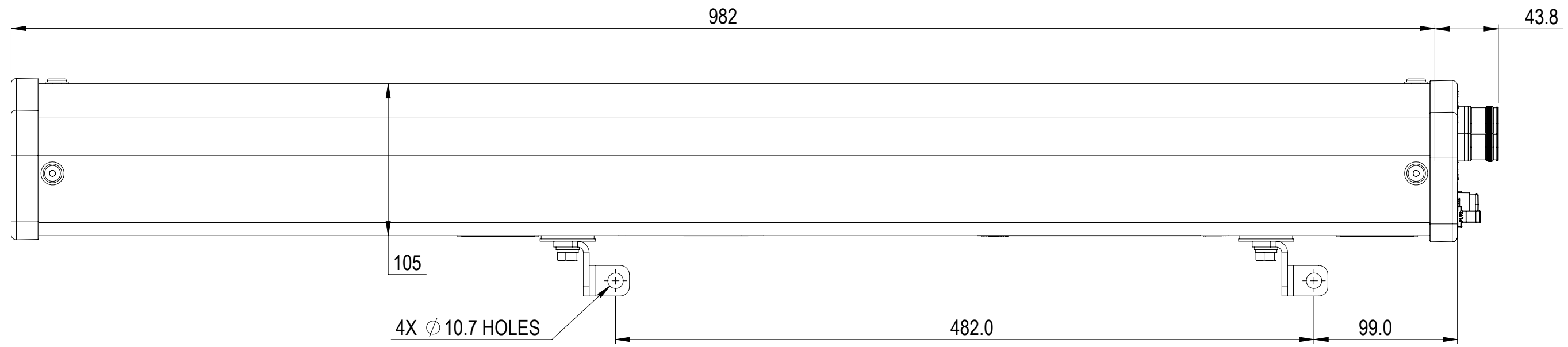


REVISIONS			
REV.	DESCRIPTION	DATE	APPROVED
A	ECR 8000041989: REL TO PRODUCTION PER EAO 608283.	29OCT20 ZY	ABI/CW



SS-65M-R2

COMMSCOPE, INC. OF NORTH CAROLINA																					
TOLERANCES						SAP MATERIAL MASTER															
0 PLACE X ±			2 PLACE .XX ±																		
1 PLACE .X ±			ANGLES ±																		
FINISH						MATERIAL															
<small>UNLESS OTHERWISE SPECIFIED DIMENSIONS ARE IN MILLIMETERS INTERPRET PER ISO STANDARDS HANDBOOK TECHNICAL DRAWINGS VOLUMES 1 &amp; 2, THIRD EDITION (2002)</small>																					
														NAME		DATE		TITLE			
												CE		YZHAI1		29OCT20		PRODUCT DRAWING			
												RW		YZHAI1		11/06/2020					
												RV		BA1025		11/09/2020					
AD		CWANG12		11/09/2020																	
RE		XK1001		11/09/2020		SCALE		DOCUMENT NO.													
		ECN 8000041989-O		1:3		SS-65M-R2-L															
DENSITY		g/mm <sup>3</sup>		SIZE		WORK AREA		23		MODEL											
MASS		grams		VERSION		STATUS		REVISION		DRAWING											
VOLUME		mm <sup>3</sup>		00		RE		A		VERSION											
SURFACE AREA		mm <sup>2</sup>		A2		REVISION		A		STATUS											
HEIGHT				DRAWING		REVISION		A		REVISION											
LENGTH				00		RE		A		REVISION											
WIDTH				1 OF 1																	