

CABLE COVER INSTALLATION

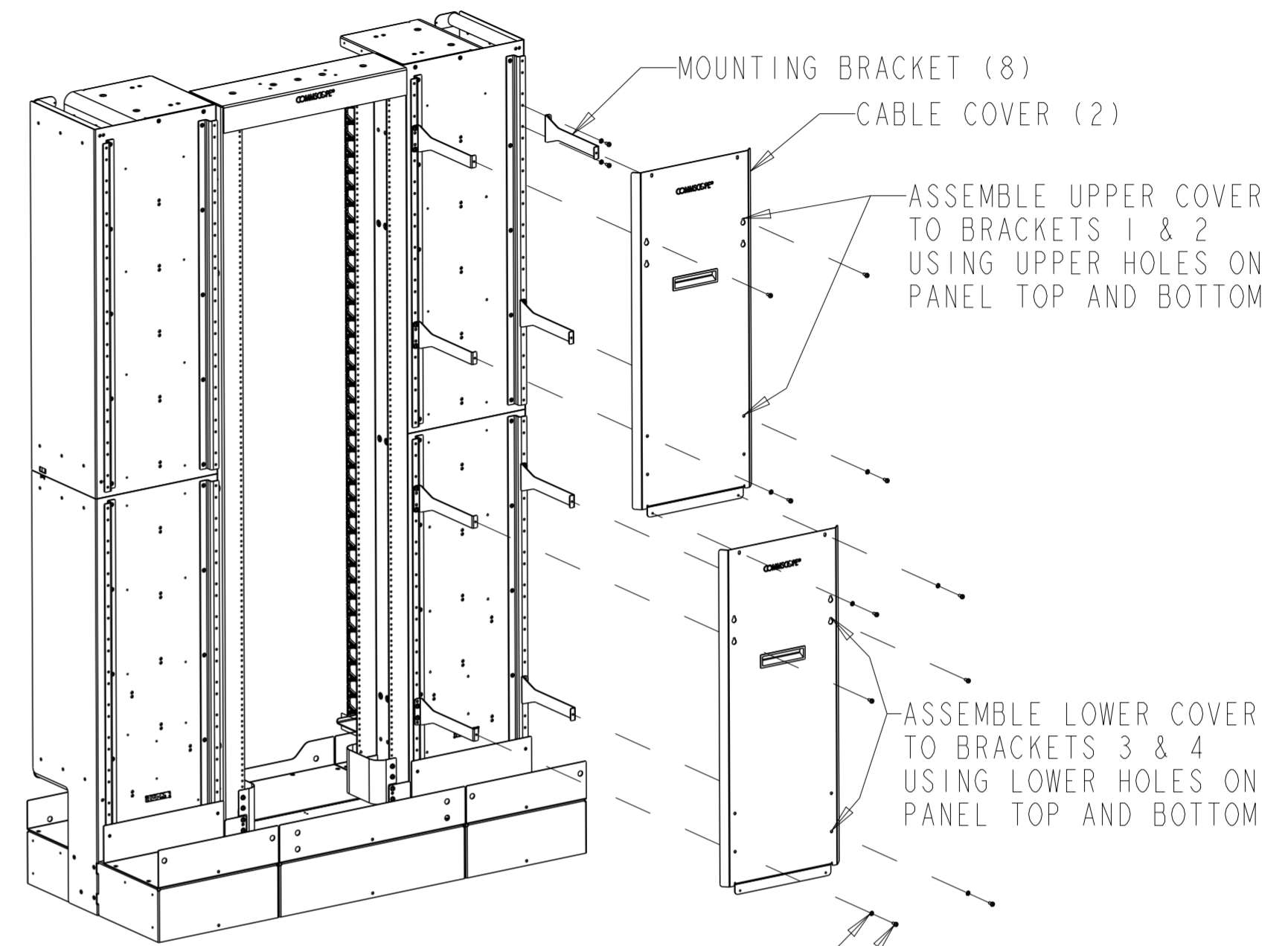
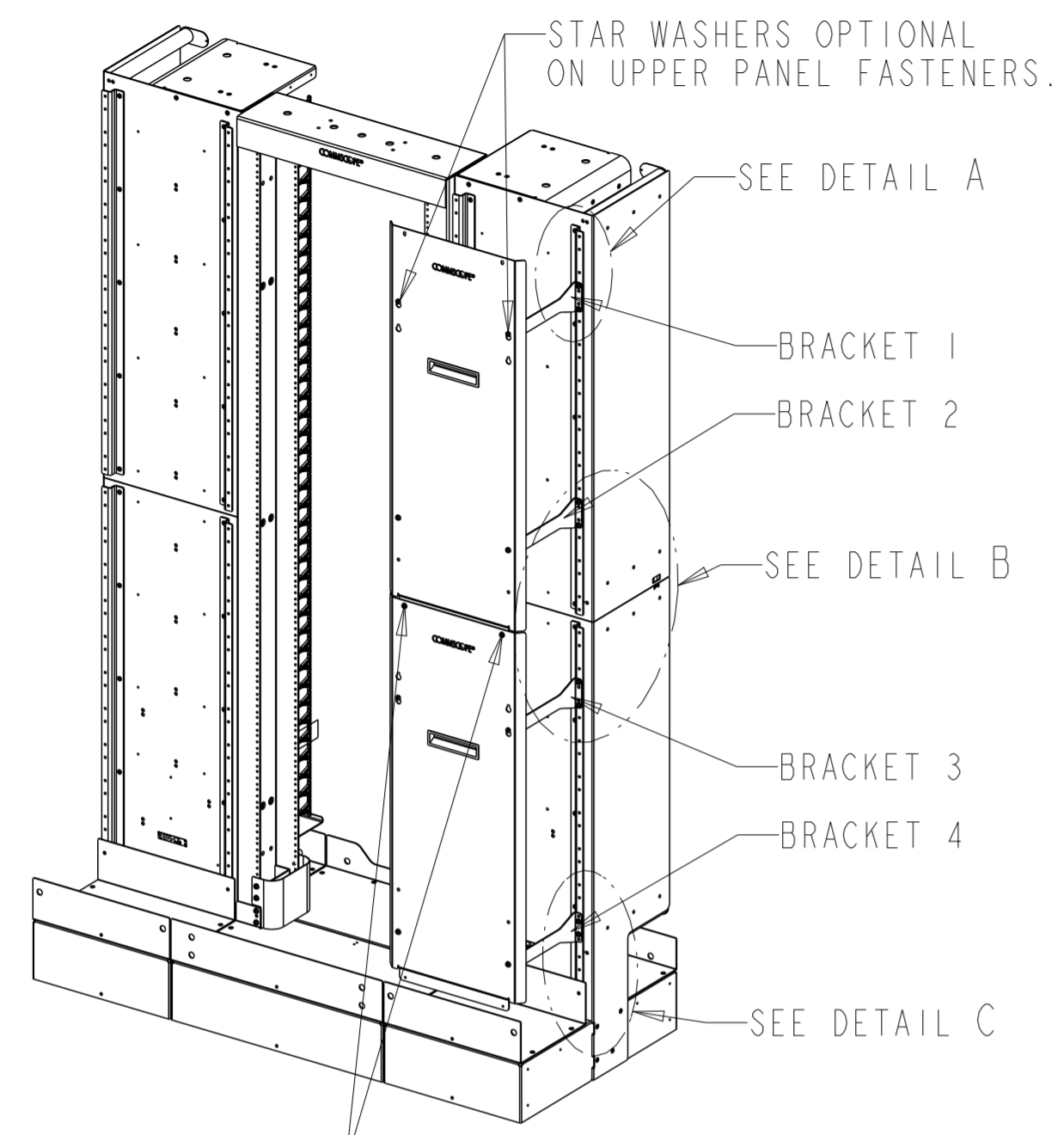
REVISIONS			
REV	CMO	DATE	APPROVED
A	40114427CMO	05-JUN-20	RCS

ASSEMBLY STEPS

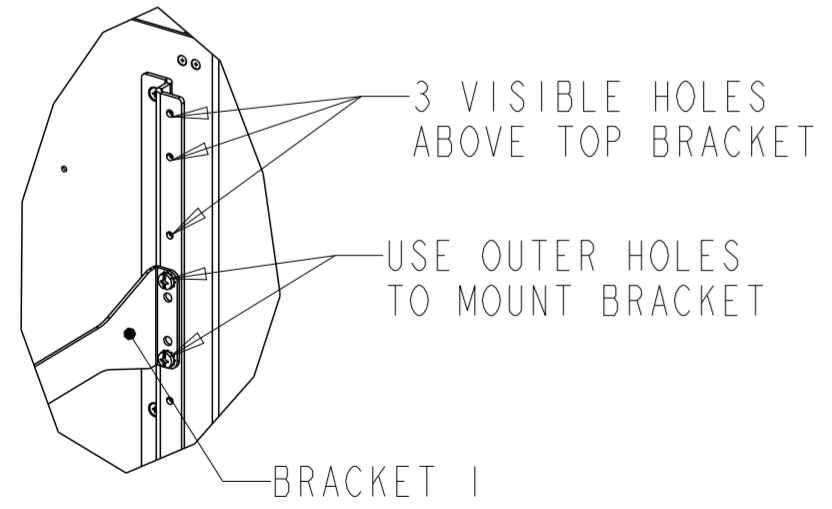
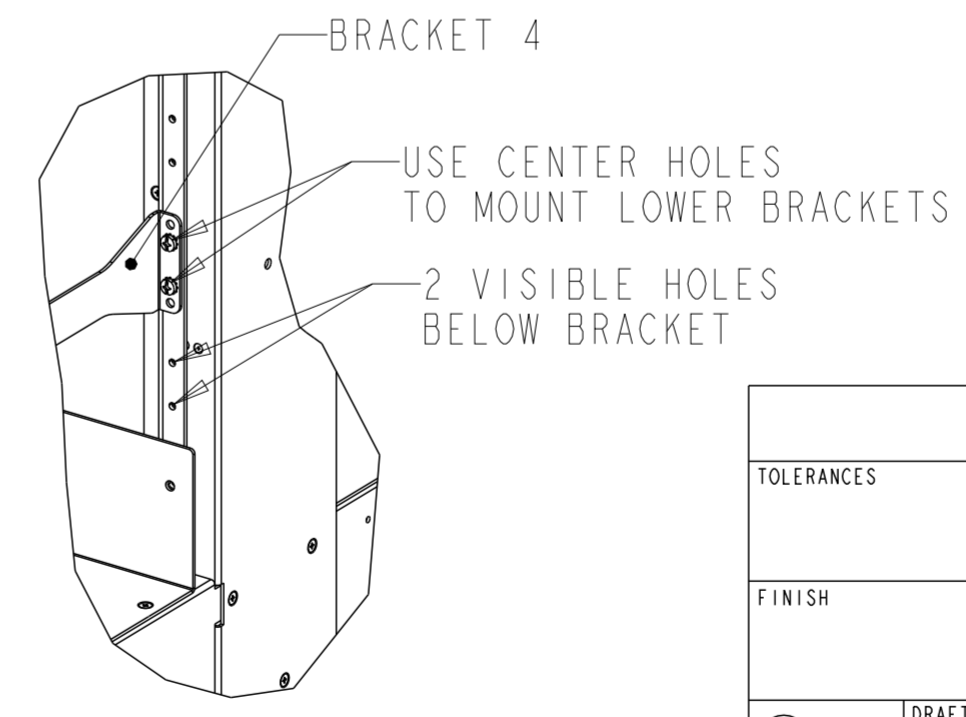
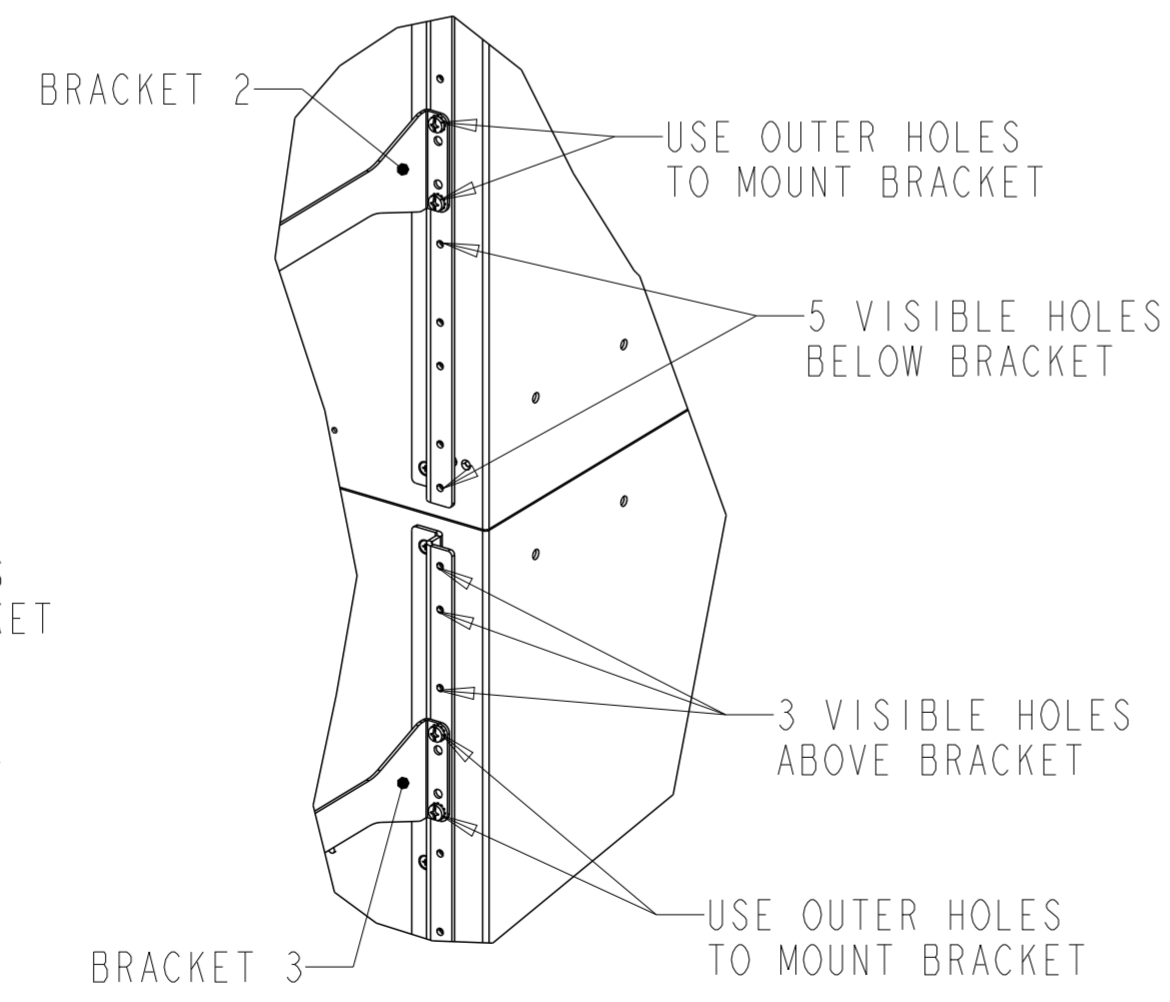
START ALL FASTENERS BEFORE TIGHTENING.
CABLE COVERS CAN BE INSTALLED ON THE BACK OF EITHER CABLE MANAGER.

TOOLS NEEDED:
#3 PHILLIPS DRIVER
(6" OR LONGER DRIVER RECOMMENDED)

1. ASSEMBLE BRACKETS TO ACCESSORY RAILS.
(SEE ILLUSTRATIONS FOR LOCATIONS.)
2. START COVER MOUNTING SCREWS IN BRACKET PAIRS 1 AND 3.
3. USING KEYHOLES, HANG CABLE COVERS ON SCREWS.
USE UPPER COVER KEYHOLES ON BRACKET PAIR 1.
USE LOWER COVER KEYHOLES ON BRACKET PAIR 3.
4. ASSEMBLE FASTENERS IN LOWER COVER HOLES AND IN CENTER HOLES FOR FASTENING COVERS TOGETHER.
5. ALIGN COVERS AND TIGHTEN SCREWS.
6. TAKE A BREAK AND HAVE A BEVERAGE.



2 FASTENERS HOLD PANELS TOGETHER



DETAIL A
SCALE 1/5

DETAIL B
SCALE 1/5

DETAIL C
SCALE 1/5

TOP MOUNTING BRACKETS

CENTER MOUNTING BRACKETS

BOTTOM MOUNTING BRACKETS

STAR WASHER
#12-24 SCREW (26)
USE #3 PHILLIPS DRIVER

660105168	A
MID	REV

COMMSCOPE, INC.										
TOLERANCES					SAP MATERIAL MASTER					
N/A										
FINISH					MATERIAL					
UNLESS OTHERWISE SPECIFIED DIMENSIONS ARE IN INCHES	DRAFTER			TITLE						
	R. SCHOENFELDER			INSTALL DRAWING, CABLE COVER, FLEX FRAME						
	CHECKER			SIZE		SCALE		DOCUMENT NO.		
	J. SOLHEID			A2		11/160		A20105766		
ENGINEER			CMO							
J. SOLHEID			40114427CMO							
ALL SURFACES		WORK AREA: 58		MODEL		DRAWING		SHEET		
✓		00		00		RE		A		
		00		RE		A		1 OF 1		

© 2020 CommScope, Inc. Confidential
NOTICE: These drawings and specifications are the proprietary property of COMMSCOPE, INC. and may be used only for the specific purpose authorized in writing by COMMSCOPE, INC.