



Fiber Optic Indoor Drop Cable Assembly, SC/APC to Stub, 3mm, 40M

Product Classification

Regional Availability	EMEA
Product Type	Fiber drop cable assembly
Product Series	FID
Ordering Note	For custom cable assembly lengths, please contact your local CommScope representative

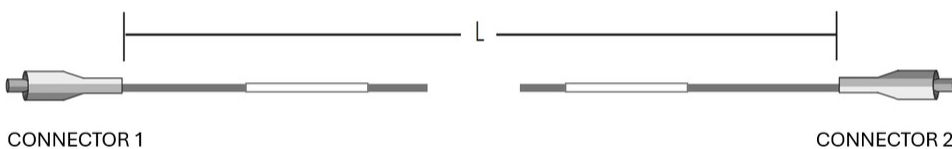
General Specifications

Cable Type	Stapleable - Round
Connector A, quantity	1
Color, boot A	Green
Color, connector A	Green
Interface, Connector A	SC/APC
Interface Feature, connector A	Male
Interface, Connector B	Unterminated
Jacket Color	Ivory
Total Fibers, quantity	1

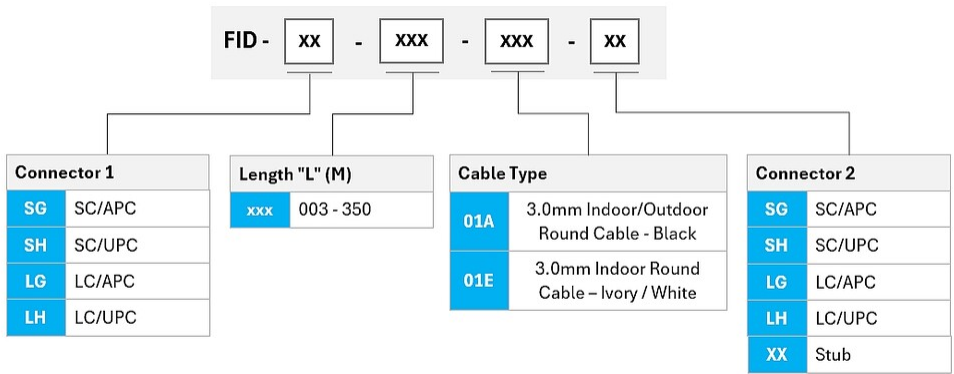
Dimensions

Cable Assembly Length	40 m 131.234 ft
Cable Outer Diameter	3.0 mm (0.12 in)

Dimension Drawing



Ordering Tree



Material Specifications

Jacket Material Low Smoke Zero Halogen (LSZH)

Mechanical Specifications

Minimum Bend Radius, loaded 50 mm | 1.969 in

Minimum Bend Radius, unloaded 30 mm | 1.181 in

Tensile Load, long term, maximum 30 N | 6.744 lbf

Tensile Load, short term, maximum 100 N | 22.481 lbf

Cable Crush Resistance, maximum 15 N/mm | 85.652 lb/in

Optical Specifications

Fiber Mode Singlemode

Fiber Type G.657.A2, TeraSPEED®

Insertion Loss, maximum, connector A 0.4 dB

Return Loss, minimum, connector A 65 dB

Environmental Specifications

Installation temperature -20 °C to +60 °C (-4 °F to +140 °F)

Operating Temperature -5 °C to +60 °C (+23 °F to +140 °F)

Storage Temperature -40 °C to +75 °C (-40 °F to +167 °F)

Environmental Space Indoor

Jacket UV Resistance UV stabilized

Packaging and Weights

Cable weight 7.9 kg/km | 5.309 lb/kft
Packaging quantity 1

Regulatory Compliance/Certifications

Agency	Classification
CHINA-ROHS	Below maximum concentration value
REACH-SVHC	Compliant as per SVHC revision on www.commscope.com/ProductCompliance
ROHS	Compliant
UK-ROHS	Compliant

